



INSTALLATION INSTRUCTIONS

UNIT No. 3610 THIN-LINE FRAMELESS SHOWER ENCLOSURE



INSTALLATION NOTES: Unpack your unit carefully and inspect for freight damage. Lay out and identify all parts using the instruction sheet as a reference. Before discarding the carton, check to see that no small hardware parts have fallen to the bottom of the box. If any parts are damaged or missing, refer to the descriptions noted in the instructions when contacting your dealer for replacements.

Handle the glass panel(s) carefully and protect the edges.

Please wear safety glasses whenever drilling or cutting. When drilling holes in ceramic tile or marble, use a center punch and hammer to carefully break the surface glaze so the drill bit can start without skidding.

To install your BASCO Shower Door you will need the following: tape measure, level(s), #2 Phillips screwdriver, drill, 1/8" & 3/16" High Speed Steel drill bits, hacksaw, pencil, sharp knife or razor blade and caulking (clear, mildew resistant silicone recommended). Optional tools include a miter box for cutting metal parts, file, center punch and masking tape. An additional 3/16" Masonry drill bit is recommended for tiled applications.

The door is best installed with two people.

NOTE: Tempered glass cannot be cut.

Although safety tempered glass is very resistant to breakage, the glass can still break if unequal pressure is placed on it during installation. Use caution! In addition, the sharp corners of the pane(s) can damage tile and floor surfaces, so its best to handle the glass panels carefully and protect the edges.

MAINTENANCE: Two primary materials are used to manufacture your new BASCO Shower Enclosure: tempered glass and anodized aluminum. To assure a long lasting finish on the enclosure, wipe it down with a towel after each use. Never use a scouring agent to clean the aluminum.

For occasional, more concentrated cleaning efforts, we recommend using *LYSOL* Non-Abrasive Bathroom Cleaner works extremely well. Be sure that any over spray falling on the aluminum frame is rinsed thoroughly and dried. Many over-the-counter cleaners, if applied to aluminum and left on, will harm the finish and cause permanent damage, even though their directions indicate safe use on shower doors. For more care and cleaning information, please visit our website;

www.BASCOSHOWERDOOR.com

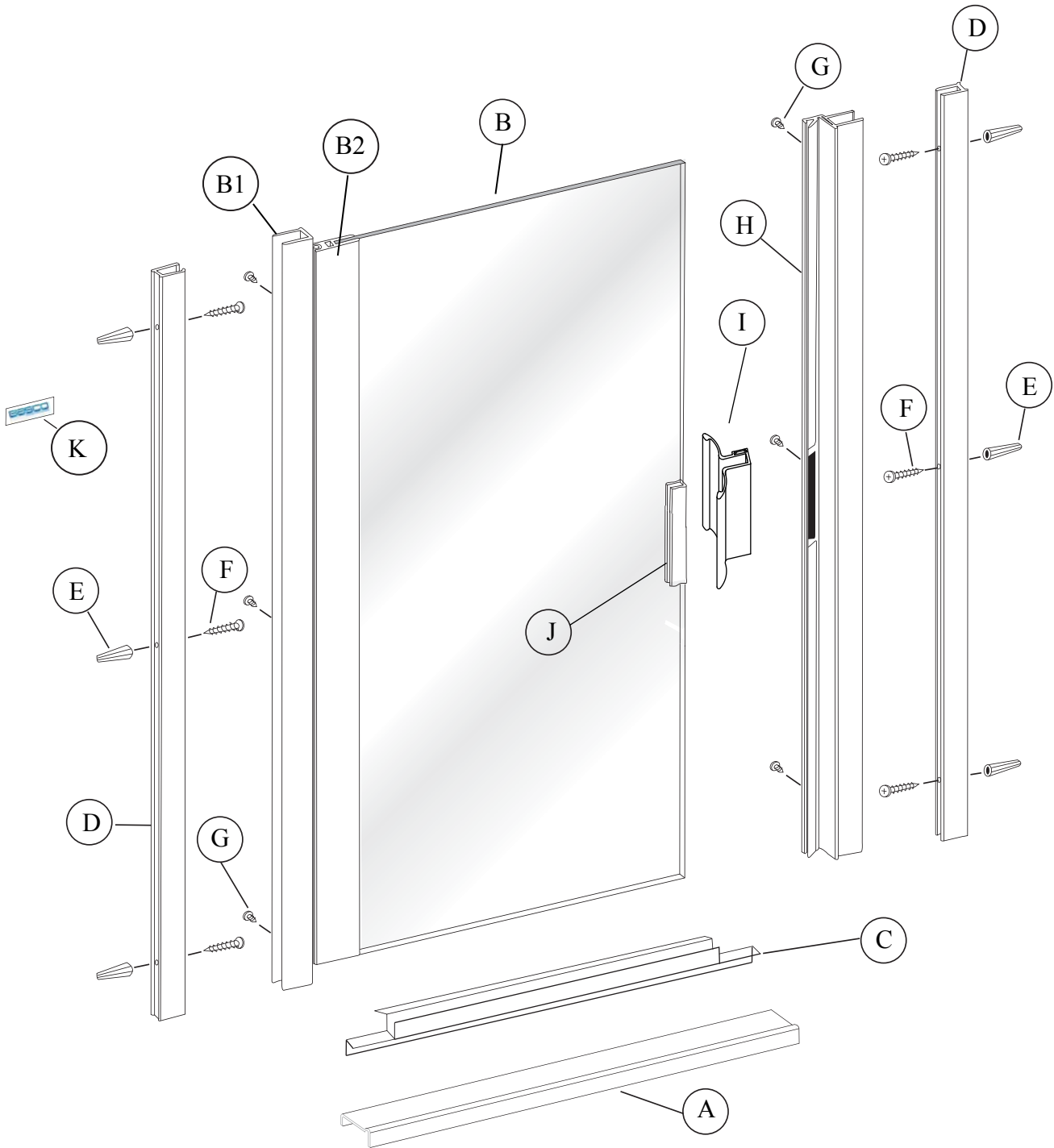
For glass treated with AquaGlide™, read the following instructions:

After each use of your shower, use a small plastic bowl, pitcher or a hand held shower head to spray the shower doors with clean cold water. Pour or spray the cold water along the top edge of the glass. The majority of the shower's soapy residual water will drain off. Use a small hand towel to pat dry the remaining droplets or use a squeegee to clear the droplets.

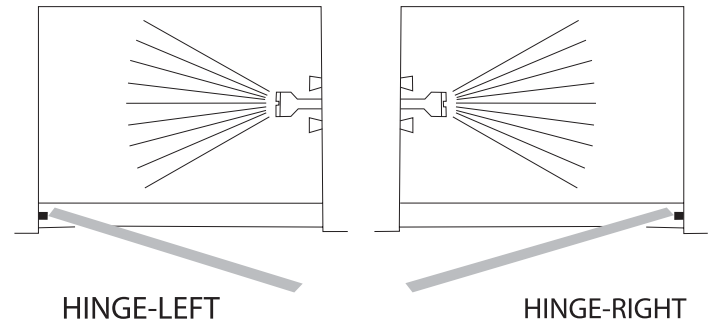
Once a month, use a nylon sponge to go over the wet glass, rubbing in a circular motion. You should feel "sticky" places going back to slick again. Then pour water along the top edge of the glass, as you do after each shower use.

3610 PARTS LIST

- | | | | |
|-----|--------------------------------|----|--------------------------------------|
| A. | Shower Curb (1) | F. | #8 x 1 1/2" Truss Head Screws (6) |
| B. | Glazed Door Panel Assembly (1) | G. | #6 x 3/8" Tech Screws (self-tap) (6) |
| B1. | Continuous Hinge Jamb (1) | H. | Strike Jamb w/ Magnet & Vinyl (1) |
| B2. | Continuous Hinge Rail (1) | I. | Handle (1) |
| C. | Clear Bottom Sweep (1) | J. | Handle Vinyl (1) |
| D. | Wall Jamb (2) | K. | Basco Label (1) |
| E. | Plastic Wall Anchors (6) | | |



1 The 3610 Continuous Hinge Shower Door is completely reversible and may be installed hinge-right or hinge-left. Refer to the illustration to determine the best hinge position for your installation. For maximum waterproofing, the hinge jamb should always be opposite the shower head. The following instructions depict a hinge-left installation.

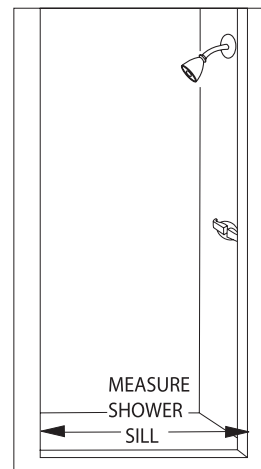


CAUTION: For safety purposes, the door must *always* open outward!

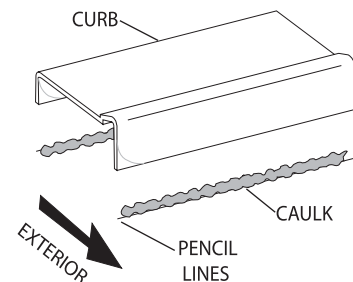
NOTE: To allow for this unit to be reversible, the hinge jamb extends 9/16” beyond both ends of the door panel. Once the hinge-side of the door has been determined (see above), the 9/16” extension can be cut off from the **TOP** only for a more streamlined finished look. (If this is done, don’t forget to cut 9/16” off the top of the longer wall jamb as well).

TIP: Temporarily cover the drain on the inside of the shower with some tape or a large piece of cardboard to prevent small screws, drill bits, etc from disappearing.

2 **NOTE:** The Basco unit may be installed without using the provided sloped curb [A]. Its use is definitely recommended for positive water control when installed on shower sills with little or no slope.



Measure the finished wall to wall opening at the shower sill and cut the curb to that exact length. File the ends of the curb as necessary to fit the corners of the opening. Place the curb on the shower sill, with the **RAISED** side to the exterior of the enclosure. Make sure the curb is centered on the sill and lightly mark its position, both inside and out, on the sill with a pencil.



Remove the curb from the sill and run two beads of silicone inside of the pencil marks on the shower sill. Place the curb back in the exact same position as marked. Use a few pieces of tape, placed over the curb from inside to outside, to hold the curb in place during the remainder of the installation.

3 **NOTE:** Wall jambs for this unit are different lengths. Be sure to use the **longer** wall jamb on the designated **hinge** side.

Place the **longer** wall jamb **[D]** against the **hinge** side wall with the bottom end $3/16''$ for the start of the raised lip on the curb (see illustration). Plumb the wall jamb with a level and mark the three hole locations on the wall. Repeat using the *shorter* wall jamb on the *strike* side wall.

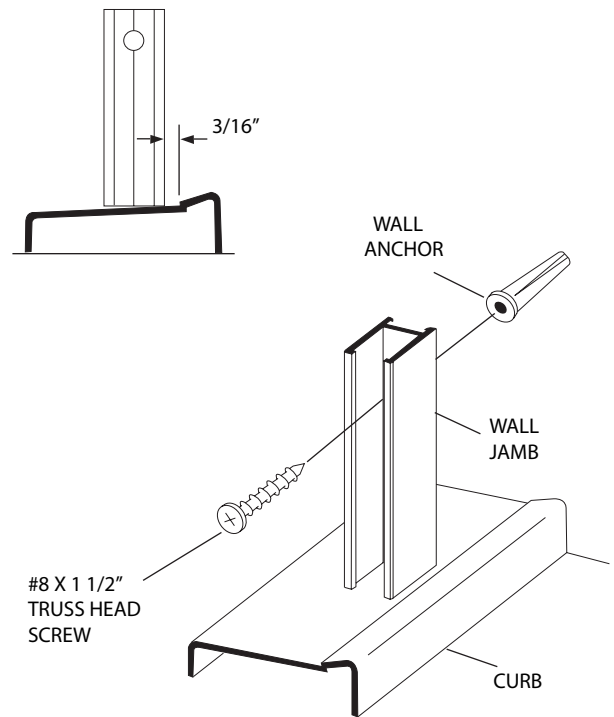
Set the wall jambs to the side and drill the holes for the mounting hardware.

Tile or marble walls:

Drill $3/16''$ diameter holes into the walls and insert the plastic wall anchors **[E]**.

Fiberglass or acrylic units can be done two different ways. If the walls are not reinforced, drill $3/16''$ diameter holes and insert the plastic wall anchors. (Toggle bolts may be used instead but they are not provided). If the walls are reinforced, only drill $1/8''$ diameter holes.

Attach the correct wall jamb to each wall using the #8 x $1\ 1/2''$ truss head screw **[F]**.

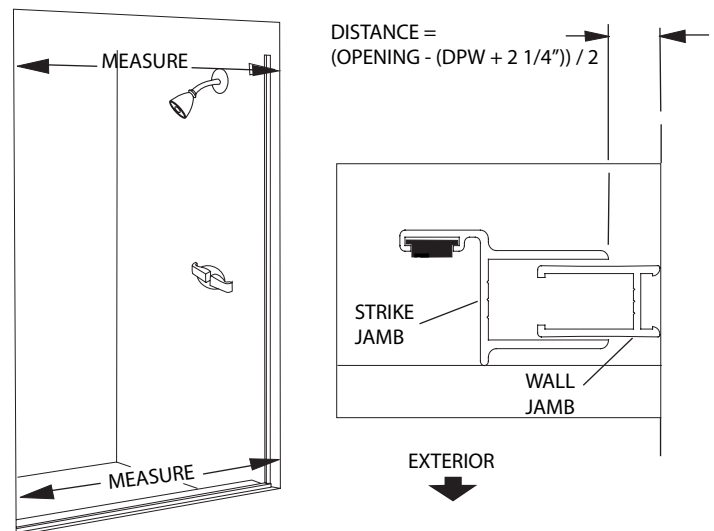
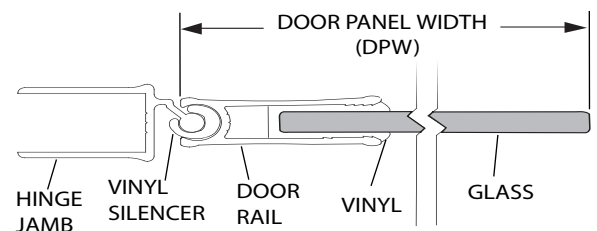


4 Measure the finished wall-to-wall opening at the top and bottom of the wall jambs. Note the smaller dimension (see bottom left illustration).

Measure the width of the door panel **[B]** from the outside edge of the door rail to the edge of the glass on the strike side (see top illustration). Add $2\ 1/4''$ to the door panel width. Then subtract that total from the minimum wall-to-wall opening dimension. Then divide that number by two.

This should be the distance from the wall to the closest part of the strike jamb at the narrowest point of the opening (see bottom right illustration).

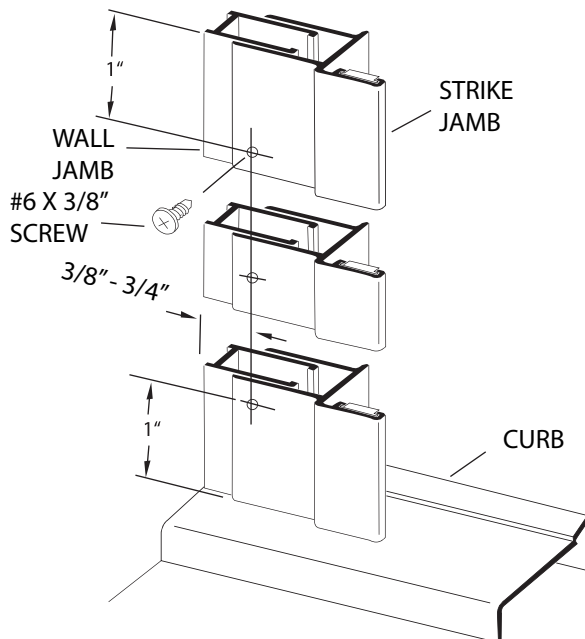
Plumb the strike jamb with a level and mark its location on the wall jamb with a pencil.



5 Inside the shower enclosure, using the pencil marks on the wall jambs from the previous step, drill two 1/8" holes through the strike jamb [H] and into the wall jamb [D] 3/8" to 3/4" from the wall and approximately 1" down from the top and up from the bottom of the strike jamb. Drill a third hole centered between the first two.

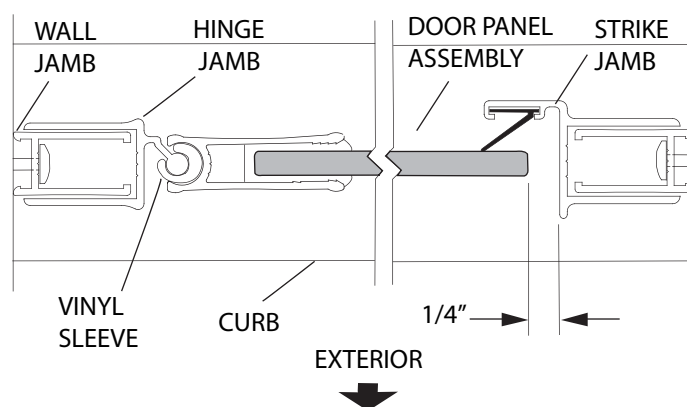
Remove the strike jamb and enlarge the three holes in the *strike jamb only* to allow clearance for the screws.

Attach the strike jamb permanently with three #6 x 3/8" pan head screws [G].



6 Slide the Hinge Jamb of the door panel assembly [B] over the mounted wall jamb so the door will open outward. Adjust the door panel assembly so there is a 1/4" clearance between the strike jamb and the strike edge of the glass door with it being in the closed position.

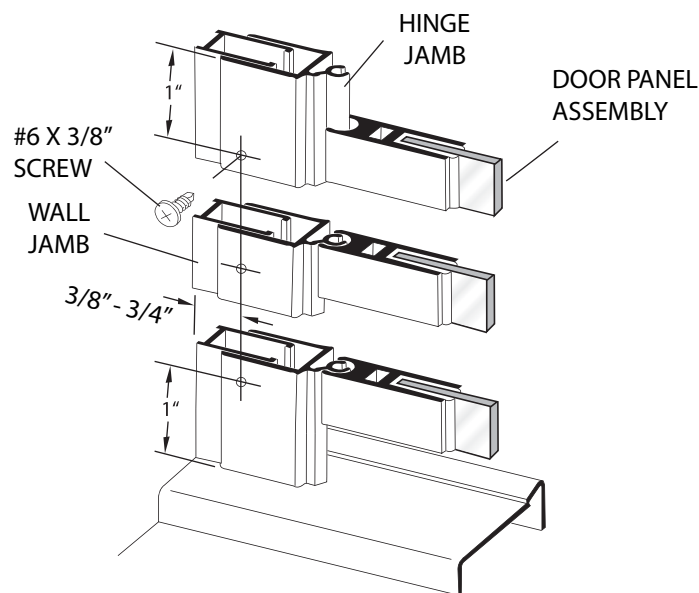
Mark the location of the hinge jamb on the wall jamb with a pencil.



7 Inside the shower enclosure, using the pencil marks on the wall jambs from the previous step, drill two 1/8" holes through the hinge jamb of the door panel assembly and into the wall jamb 3/8" to 3/4" from the wall and approximately 1" down from the top and up from the bottom of the hinge jamb. Drill a third hole centered between the first two.

Remove the door panel assembly and enlarge the three holes in the *hinge jamb only* to allow clearance for the screws.

Attach the door panel assembly permanently with three #6 x 3/8" pan head screws.

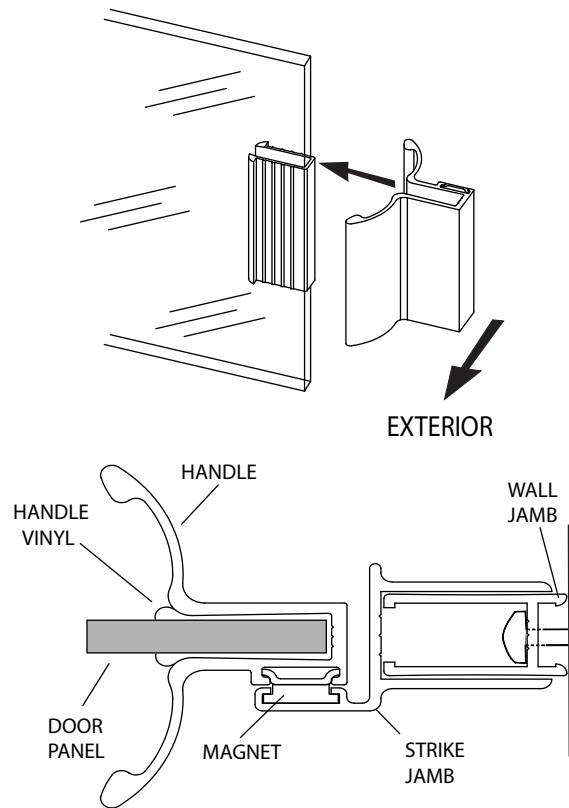


8 Slide the door handle [I] onto the strike side of the door panel. Close the door and slide the handle up and down until the magnet and strike plate are aligned. Use a pencil and/or masking tape to mark the location of the handle on the door.

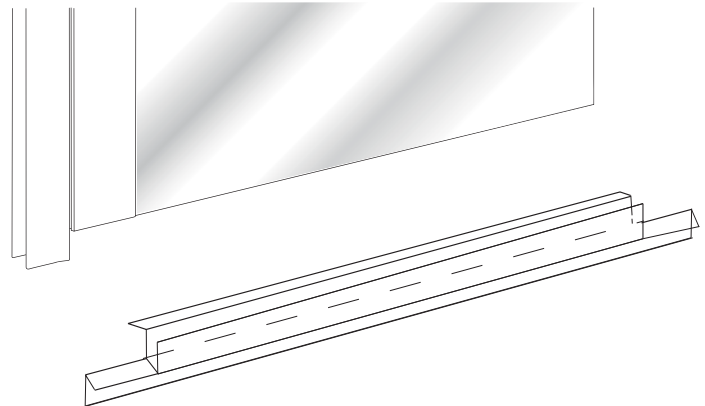
Place the vinyl material [J] over the strike edge of the door and carefully drive the handle onto the door panel using a rubber or plastic mallet.

Close the door and check for proper operation of the handle and magnet. (If adjustment is needed, use a rubber or plastic mallet and a wood block and lightly tap into place). Trim the excess vinyl off with a utility knife.

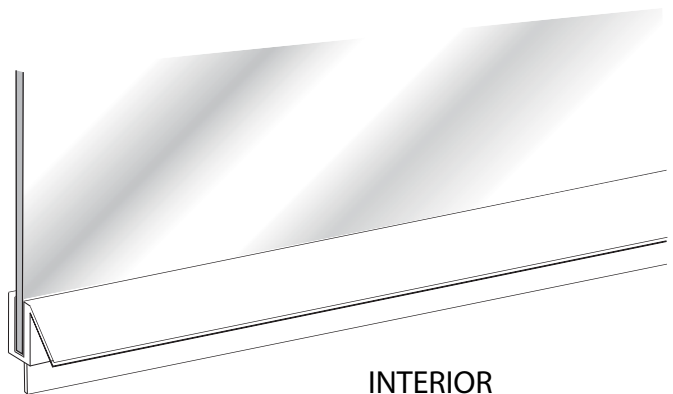
NOTE: NEVER hit the door latch with a metal hammer!!



9 **NOTE:** The clear bottom sweep [C] is notched on both ends. For installation, determine if the door is hinge right or hinge left.



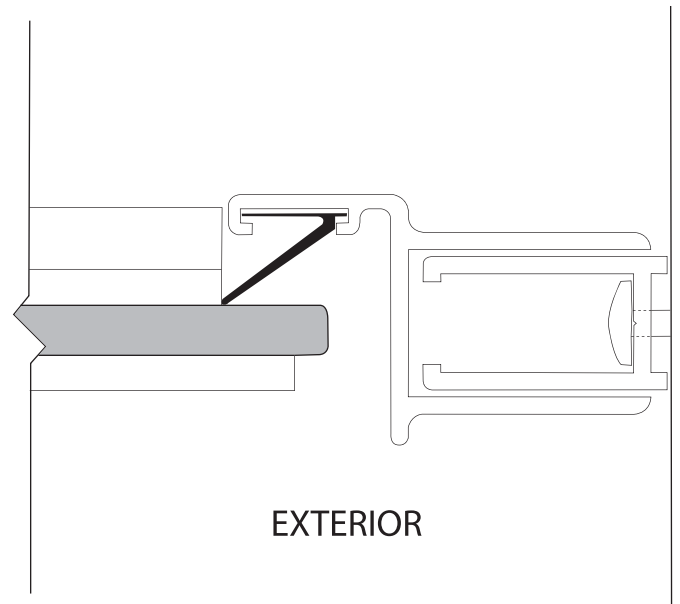
10 Align the clear bottom sweep to the bottom of the door with the deflector lip on the inside of the shower door. Mark the strike side of the bottom sweep even with the strike edge of the door. Cut the sweep leaving the notched part under the metal rail.



11 Place the sweep onto the bottom of the door. Stand inside the shower, close the door and mark the deflector part of the sweep at the inside edge of the strike jamb.

Open the door and remove the sweep. Notch the inside portion of the sweep so the door glass will close tightly to the strike jamb vinyl.

Place the sweep back on the door and check for clearance.



12 Carefully silicone the seam between the wall and the wall jamb as well as the curb and threshold on the inside of the shower.

NOTE: Silicone on the exterior seam is optional.

DO NOT USE the shower until the silicone is completely cured. Check the tube of silicone for the manufacturer recommended cure time. (typically 24 - 48 hours)

