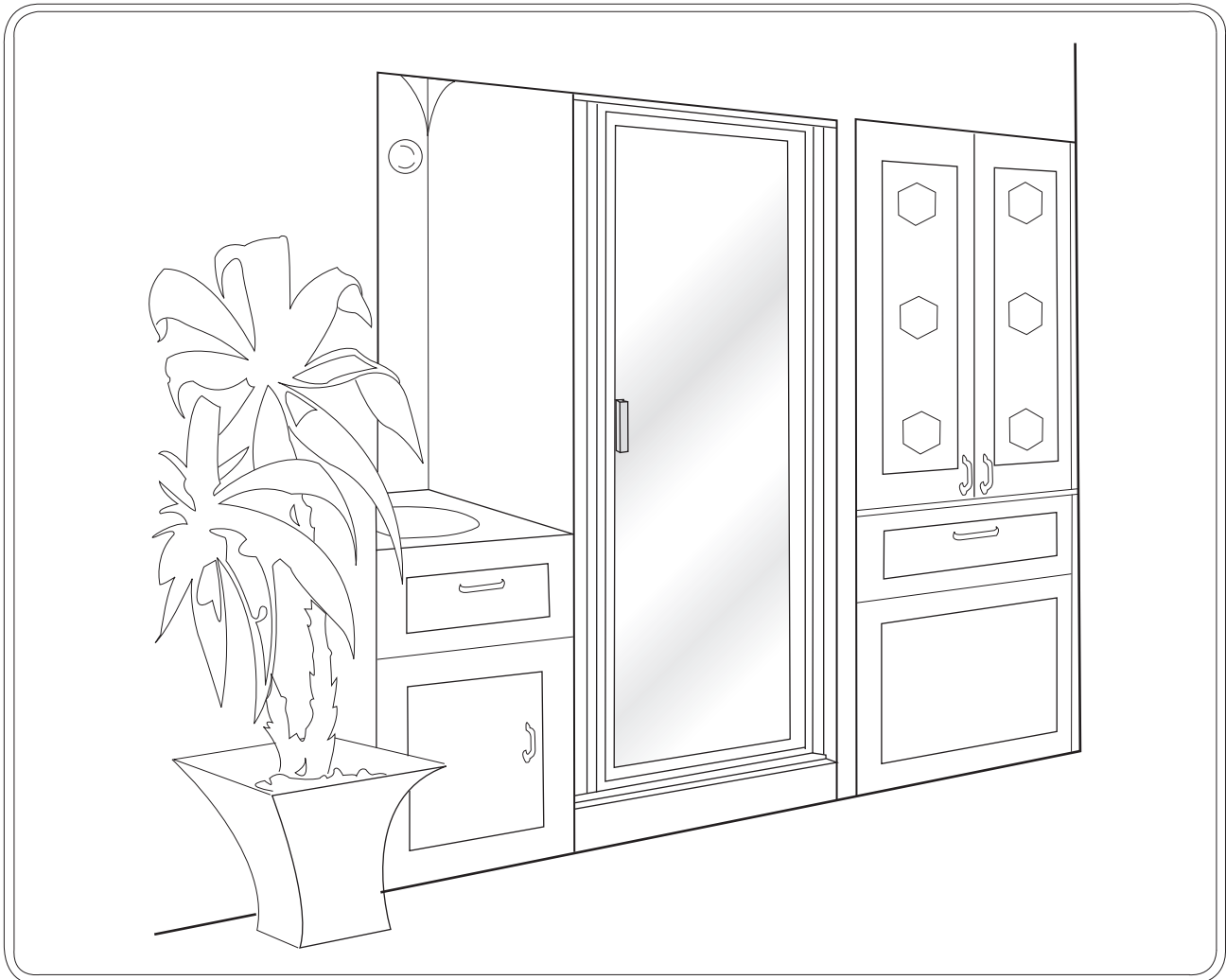




INSTALLATION  
INSTRUCTIONS

**NEED  
INSTALLATION  
HELP?**  
Call  
**1-800-45-BASCO (452-2726)**  
Monday - Friday  
8:00 A.M. - 4:30 P.M.  
Eastern Time

# UNIT No. 18CS THIN-LINE CONTINUOUS HINGE SHOWER ENCLOSURE



**MAINTENANCE:** Two primary materials are used to manufacture your new Basco enclosure: tempered glass and anodized aluminum. To assure a long lasting finish on the enclosure, wipe it down with a towel after each use. Never use a scouring agent to clean the aluminum.

For occasional, more concentrated cleaning efforts, we find that *Lysol Bathroom Cleaner* works extremely well. Be sure that any over spray falling on the aluminum frame is rinsed thoroughly and dried. Many over-the-counter cleaners, if applied to the aluminum and left on, will harm the metal finish and cause permanent damage, even though their directions indicate safe use on shower doors.

**INSTALLATION NOTES:** Unpack your unit carefully and inspect for freight damage. Lay out and identify all parts using the instruction sheets as a reference. Before discarding the carton, check to see that no small hardware parts have fallen to the bottom of the box. If any parts are damaged or missing, refer to the descriptions noted in the instructions when contacting your dealer for replacements.

Handle the glass panels carefully and protect the edges. Safety tempered glass is very resistant to breakage, but the sharp corners of the panels can damage tile and floor surfaces.

Please wear safety glasses whenever drilling or cutting. When drilling holes in the ceramic tile or marble, use a center punch and hammer to carefully break the surface glaze so the drill can start without skidding.

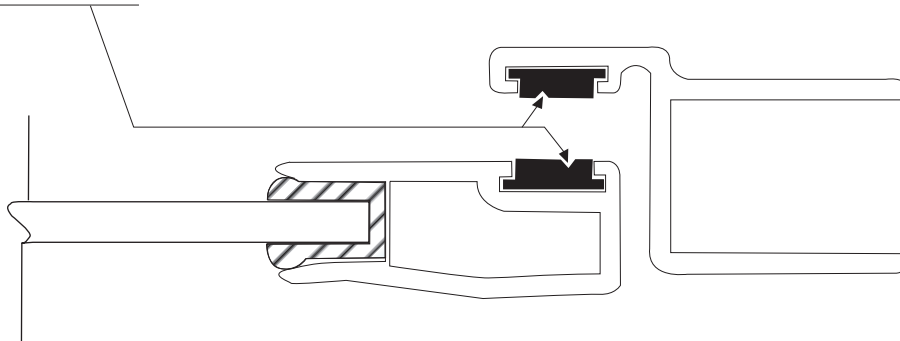
To install your BASCO Shower Door you will need the following: tape measure, level, #2 Phillips screwdriver, 3/16" wrench, drill, 1/8" and 3/16" drill bits, hacksaw, pencil, and caulking (clear silicone recommended). Optional tools include a miter box for cutting parts to length, files, center punch, and masking tape. For drilling tile a 3/16" masonry bit is recommended.

**NOTE: Tempered glass cannot be cut.**

## IDENTIFICATION GROOVE

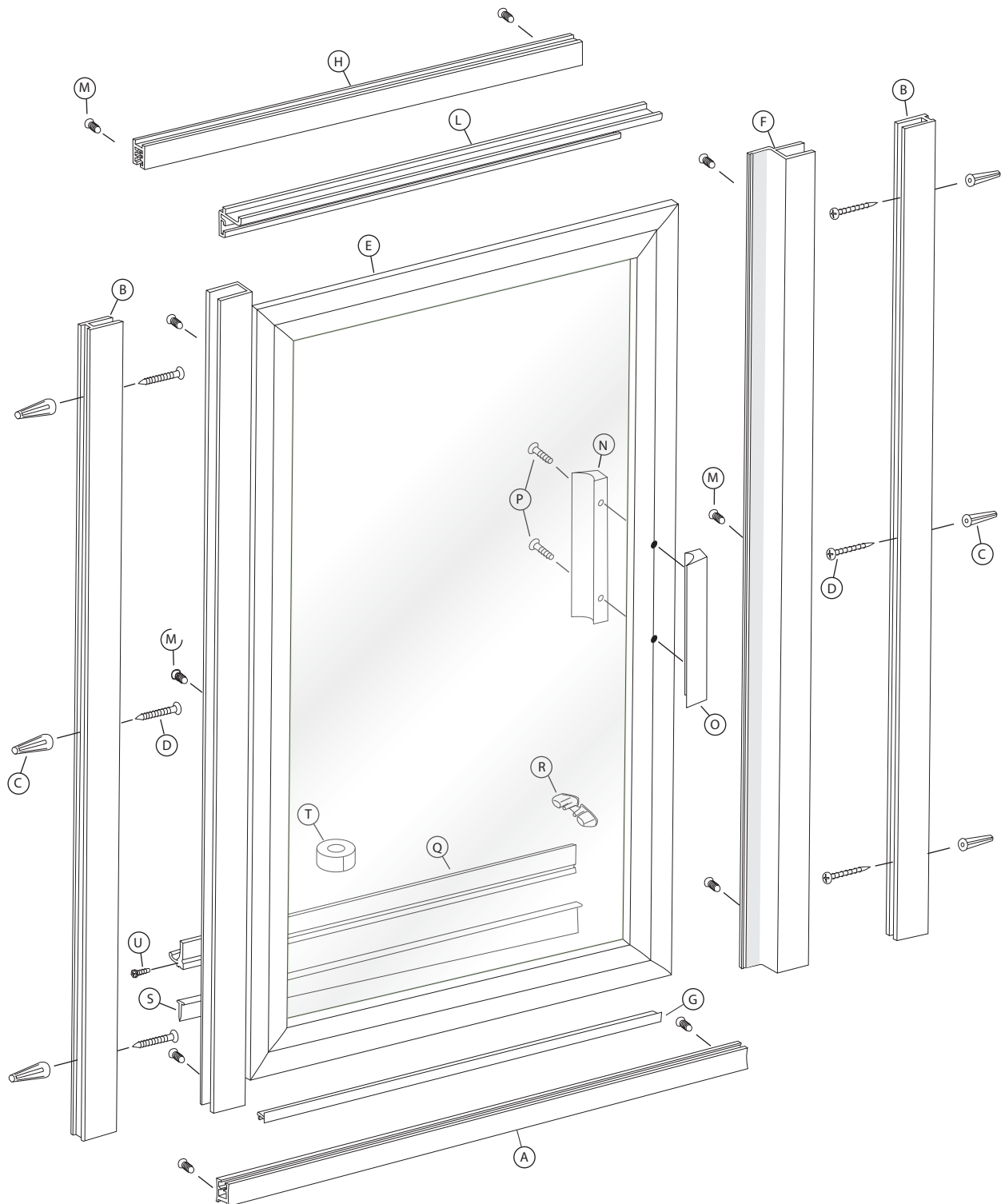
**NOTE :** Each magnetic strip has an identification groove on the exposed surface. For proper alignment, the grooves should be opposite each other (see detail).

Identification Groove



# 18CS PARTS LIST

- |    |   |                               |    |    |                                 |
|----|---|-------------------------------|----|----|---------------------------------|
| A. | 1 | Curb                          | L. | 1  | Top Strike Plate with Vinyl     |
| B. | 2 | Wall Jamb                     | M. | 10 | #8 x 32 x 1/4 Truss Head Screws |
| C. | 6 | Plastic Wall Anchors          | N. | 1  | Interior Handle                 |
| D. | 6 | #8 x 1 1/2" Truss Head Screws | O. | 1  | Exterior Handle                 |
| E. | 1 | Door Panel                    | P. | 2  | #6-32 x 1 1/8" Pan Head Screws  |
| F. | 1 | Strike Jamb with Magnet       | Q. | 1  | Drip Channel                    |
| G. | 1 | Curb Filler                   | R. | 1  | Drip Plug                       |
| H. | 1 | Header                        | S. | 1  | Drip Vinyl                      |
|    |   |                               | T. | 1  | Roll Double-Stick Tape          |
|    |   |                               | U. | 1  | #6 x 3/8" Truss Head Screw      |

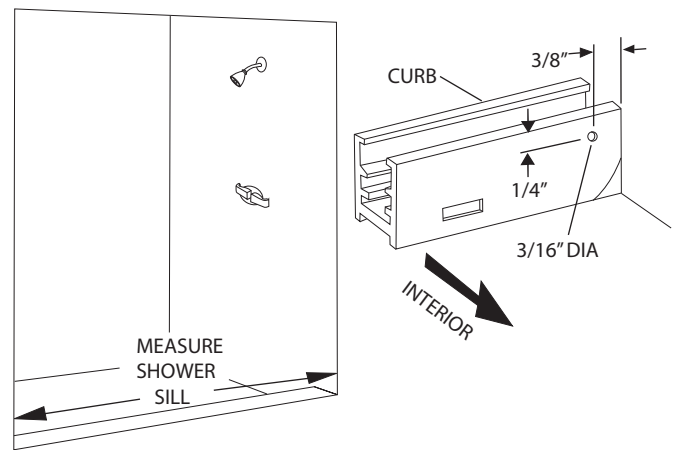


# 1

Measure the opening at the bottom of the shower stall and cut the curb [A] (with weep slots) to fit the full width of the opening. If required, use a file to round the lower corners of the curb to fit the shower sill properly.

Using a 3/16" drill bit, drill the interior face of the curb on both ends as shown.

Position the curb in the middle of the sill with weep slots to the interior and mark its position with a pencil line along the interior and exterior base.

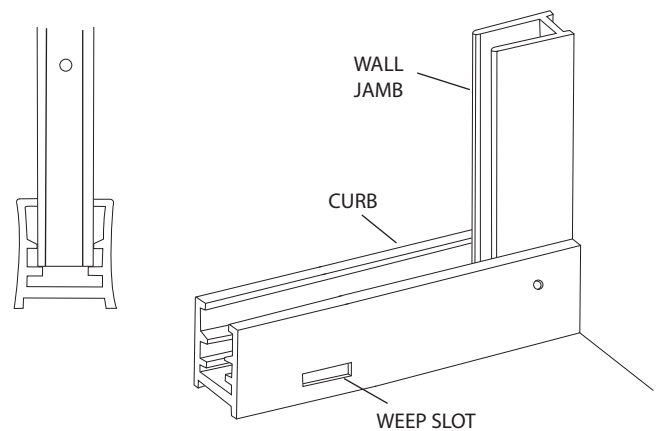


# 2

Place the two wall jamba [B] into the ends of the curb [A]. Masking tape may be used to hold the curb in place during this operation. Plumb the jamba and mark the hole locations on the wall. Remove all parts and drill the walls for mounting hardware.

For tile or marble walls, drill six 3/16" diameter holes and insert the plastic wall anchors [C]. A center punch helps locate the holes accurately.

Attachments to fiberglass or acrylic units can be made in two ways. If reinforcement is built into the wall of the unit, drill three 1/8" holes to install mounting screws directly into the reinforcement. If walls are not reinforced, drill 3/16" holes and install plastic wall anchors or toggle bolts (toggle bolts not supplied by BASCO).

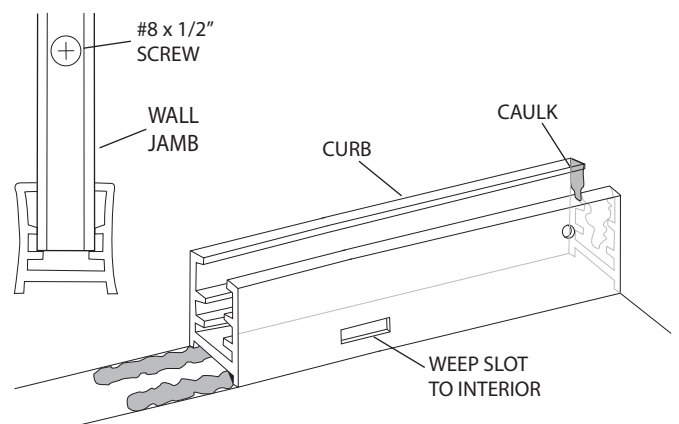


# 3

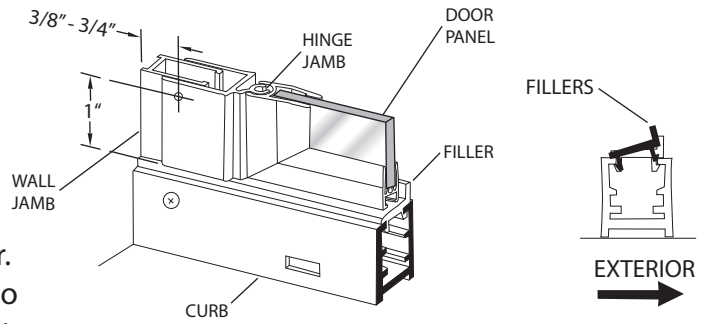
Wipe the shower walls and sill, curb [A] and wall jamba [B] with a clean, dry cloth to remove any dust or debris. Apply a 1/4" bead of caulk along the inside of both of the pencil lines marked in Step #2. Carefully replace the curb in the exact position marked. Caulk the inside of the curb where it meets the wall.

Replace both wall jamba and attach to the walls with six #8 x 1 1/2" truss head screws [D].

Using the holes in the end of the curb as a guide, drill two 1/8" holes into the wall jamba. Secure the curb to the wall jamba with two #8x32x1/4" truss head screws (M).

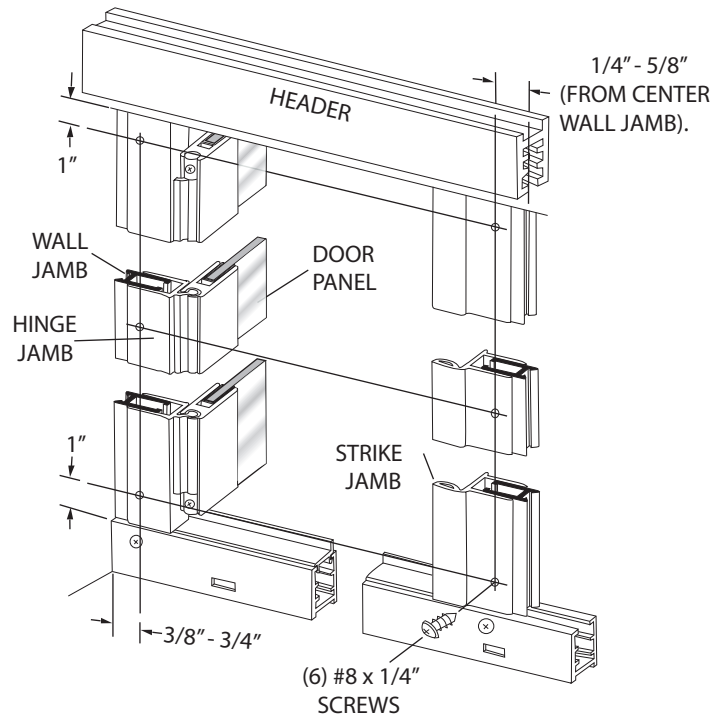


**4** Remove one wall jamb, place the header over other wall jamb, and then replace the other wall jamb back into place and reattach to the wall, then install the header in the same fashion as the curb. Orient the door to the opening, place the door into the opening with the door hinge over the wall jamb. Carefully hold the door in the opening (in the open position) and do not let go of the door. Still holding the door in the opening move down to the lower filler and snap it into place, being sure that the raised lip of the filler is to the exterior.



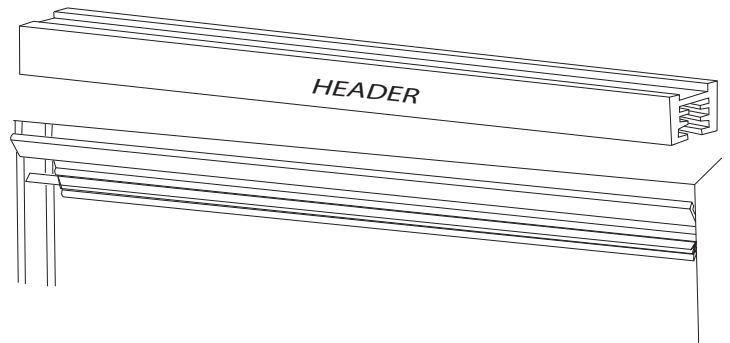
**5** Pull the bottom end of the hinge jamb tight to the curb filler [G] and plumb the jamb. Drill two 1/8" holes thru the hinge jamb and into the wall jamb [B] 3/8" to 3/4" from the wall and approximately 1" from the ends of the jamb. Drill a third hole centered between the first two, then enlarge the three outer holes with a 3/16" drill for clearance on the truss head screws. Attach the pivot jamb permanently with three #8 x 1/4" truss head screws [M].

Slide strike jamb [F] over other wall jamb tight against wall to adjust in later step. DO NOT drill or screw in place.



**6** With the door hinge plumb and screwed in place, align top steam strip with notch at the strike side and snap in place in header.

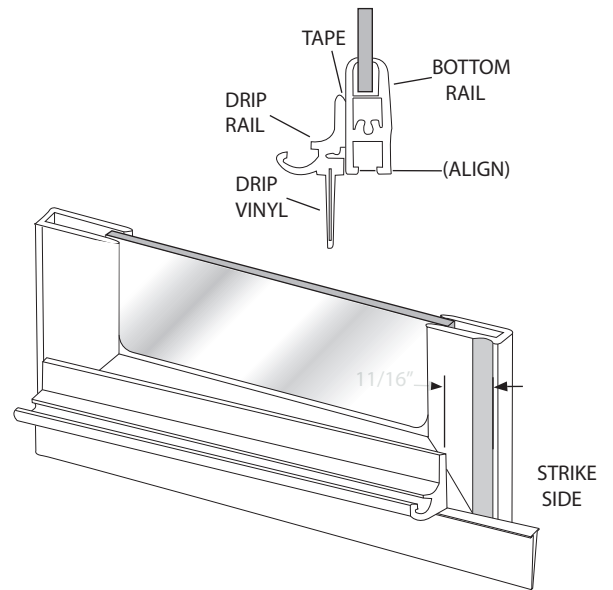
Push the strike jamb [F] tight against the filler (G) and top plate (L) and attach it to the wall jamb in the (F) in the same fashion as you attached the hinge jamb to its wall jamb.



# 7

Clean the bottom door rail and the drip rail thoroughly with rubbing alcohol to ensure proper adhesion. Unroll the double stick tape [T] and carefully apply it to the back of the drip rail (do not peel the tape backing yet).

Insert the tapered drip vinyl [Q] into the drip rail. Position the drip rail flush with the bottom and pivot side of the door panel, then raise the strike side until the bottom edge of the drip vinyl is parallel to the curb [A]. Mark the location of each end of the drip rail.

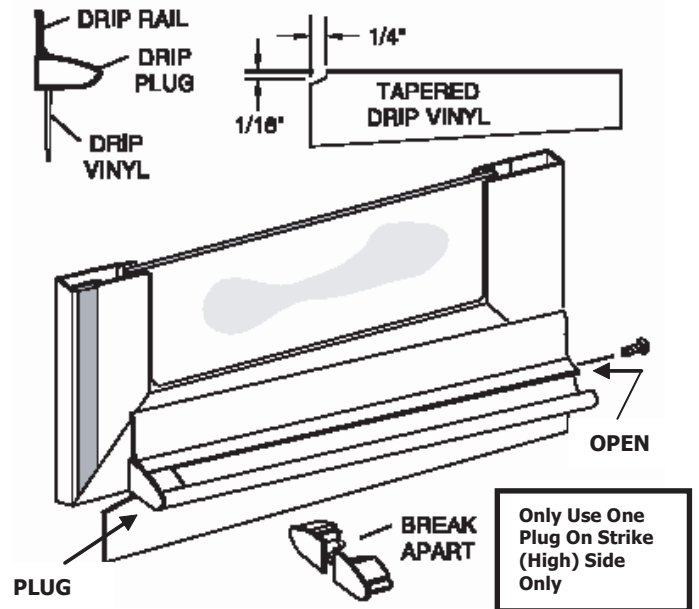


# 8

Adjust the drip vinyl [S] by sliding it left or right until it almost touches the curb. Trim the vinyl (flush with the pivot end and notch 1/4" longer than the drip rail as shown on the strike end).

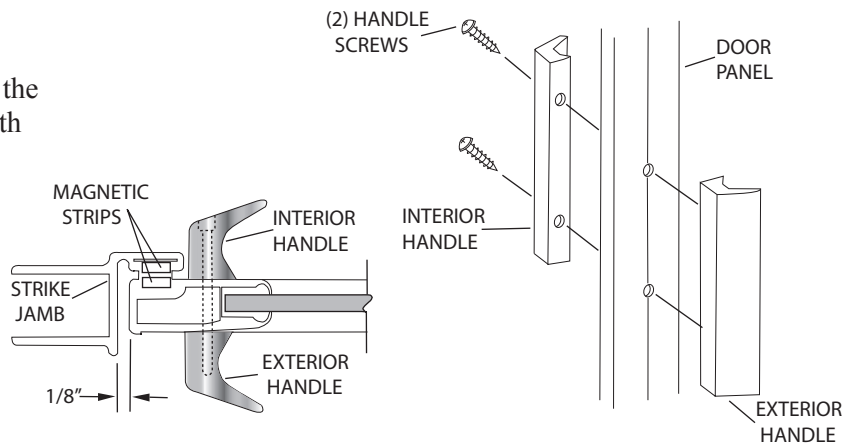
The drip plug [R] is supplied with a left and right hand plug together. Break the right and left drip plug apart and insert the appropriate plug into the high (strike) side of the drip rail. Discard the unused drip plug. Peel off the tape backing and carefully press the drip rail [Q] to the door in the marked position.

**NOTE:** Cleaners with alcohol content can dissolve the adhesive that attaches the drip rail. To prevent this possibility, run a small bead of clear sealant at the top of the drip rail where it is attached to the bottom rail.



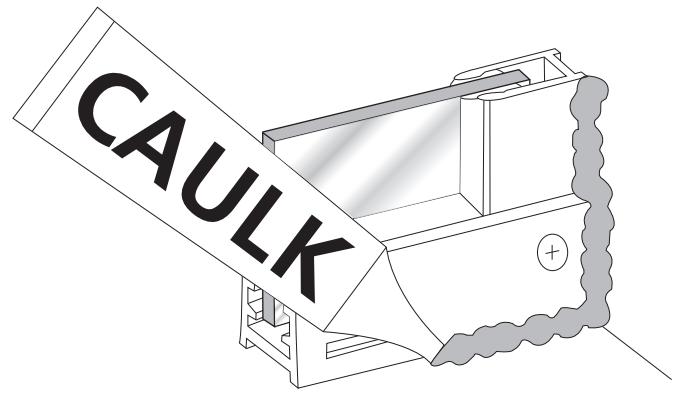
# 9

Attach the interior door handle [N] and the exterior door handle [O] to the door panel [E] with (2) #6-32 x 1 1/4" round head screws [P].



# 10

Carefully caulk the interior jamb-to-wall and curb-to-base joints. For appearance, you may wish to caulk the exterior joints as well. We recommend you wait twenty-four hours before the first shower to allow the caulking to cure properly.



Note: Do not caulk over weep holes