



# INSTALLATION INSTRUCTIONS

## UNIT No. 1422/1722 INFINITY™ SHOWER ENCLOSURE



**MAINTENANCE:** Two primary materials are used to manufacture your new Basco enclosure: tempered glass and anodized aluminum. To assure a long lasting finish on the enclosure, wipe it down with a towel after each use. Never use a scouring agent to clean the aluminum.

For occasional, more concentrated cleaning efforts, we find that *Lysol Non -Abrasive Bathroom Cleaner* works extremely well. Be sure that any over spray falling on the aluminum frame is rinsed thoroughly and dried. Many over-the-counter cleaners, if applied to the aluminum and left on, will harm the metal finish and cause permanent damage, even though their directions indicate safe use on shower doors.

**INSTALLATION NOTES:** Unpack your unit carefully and inspect for freight damage. Lay out and identify all parts using the instruction sheets as a reference. Before discarding the carton, check to see that no small hardware parts have fallen to the bottom of the box. If any parts are damaged or missing, refer to the descriptions noted in the instructions when contacting your dealer for replacements.

Handle the glass panels carefully and protect the edges.

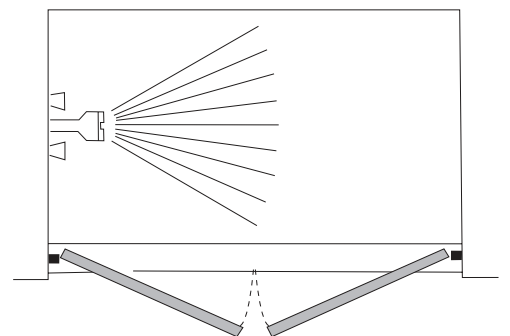
Please wear safety glasses whenever drilling or cutting. When drilling holes in the ceramic tile or marble, use a center punch and hammer to carefully break the surface glaze so the drill can start without skidding.

To install your BASCO Shower Door you will need the following: tape measure, level, #2 Phillips screwdriver, drill, 1/8" and 3/16" drill bits, hacksaw, pencil, and caulking (clear silicone recommended). Optional tools include a miter box for cutting parts to length, files, center punch, and masking tape.

**NOTE: Tempered glass cannot be cut.**

**Although safety tempered glass is very resistant to breakage, the glass can still break if unequal pressure is placed on it during installation. Use caution. In addition, the sharp corners of the panels can damage tile and floor surfaces, so it is best to handle the glass panels carefully and protect the edges.**

**CAUTION:** For safety, the door must *always* open outward.



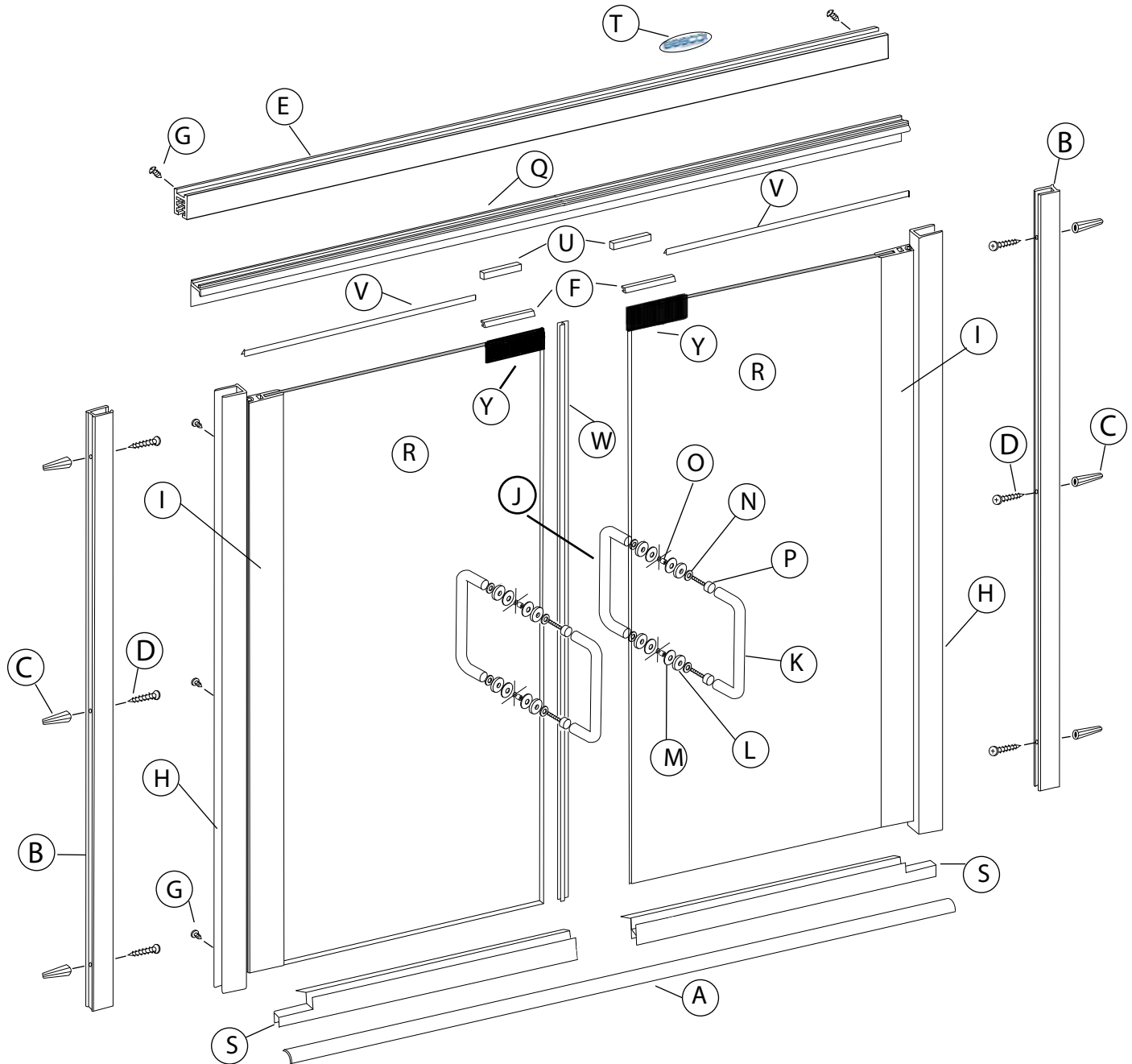
# 1422 / 1722 INFINITY PARTS LIST

- A. 1 - 1/2 Moon Dam Strip
- B. 2 - Wall Jamb
- C. 6 - Plastic Wall Anchors
- D. 6 - Truss Head Screws
- E. 1 - Header
- F. 2 - Magnetic Latch
- G. 10 - SCR24 Self Taping Screws
- H. 2 - Hinge Jamb
- I. 2 - Door Rail
- Q. 1 - Snap-in Fill
- R. 2 - Door Panels
- S. 2 - Plastic Door Deflectors

- T. 1 - Basco Decal
- U. 2 - Magnets
- V. 2 - Vinyl Seals
- W. 1 - Strike Vinyl
- Y. 2 - Latch Vinyls

**HANDLE PARTS**

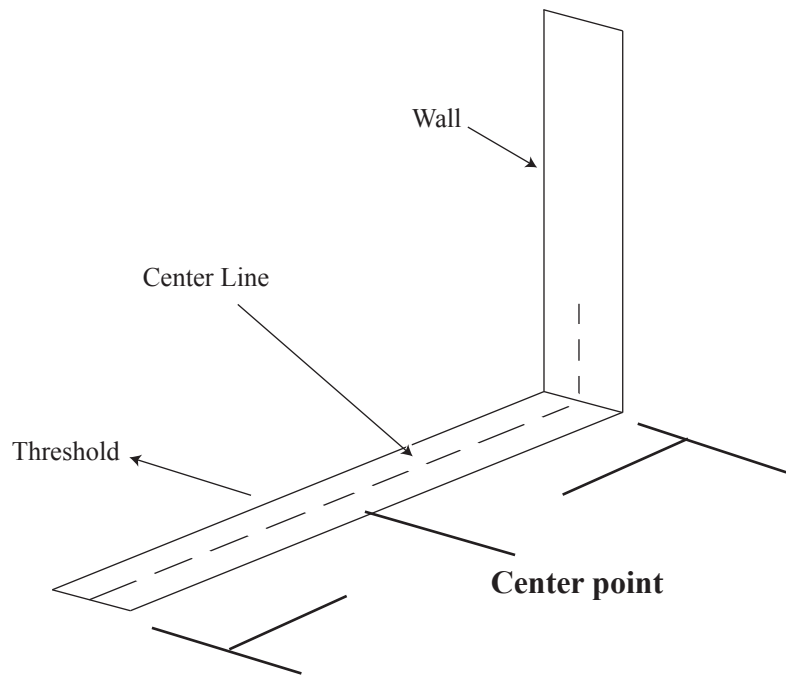
- J&K. 2 each - SC1417 Interior & Exterior Handle
- L. 8 - SC4584 Metal Washers
- M. 8 - SC4585 Large Clear Discs
- N. 8 - SC4586 Small Clear Discs
- O. 4 - SC4587 Glass Hole Sleeves
- P. 4 - SC1588 Stud Screws



**1** Mark your center line positions on your threshold and also at the base of your wall

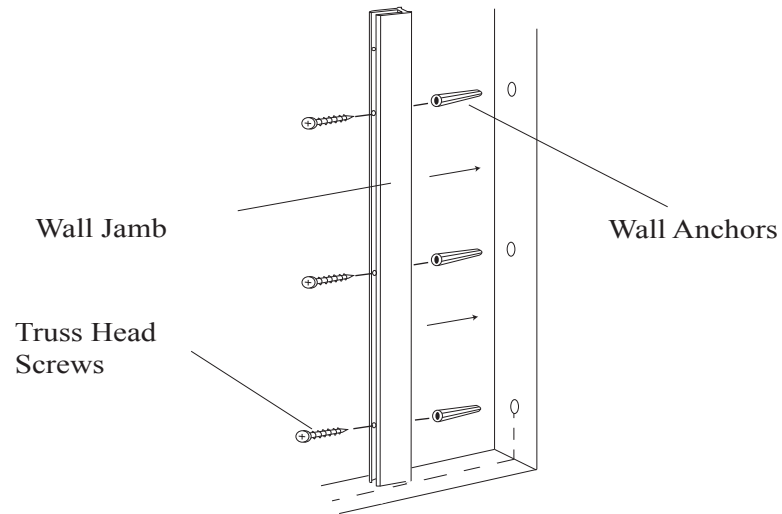
Find your **center point** of your threshold and mark it with a pencil, this will help you as you continue to install your showerdoor.

NOTE: **Center Line** - is a term that is used to determine where you will install your unit on the threshold.

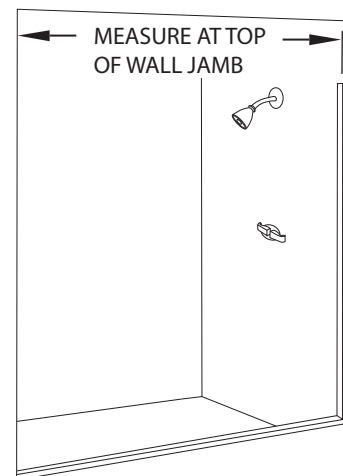
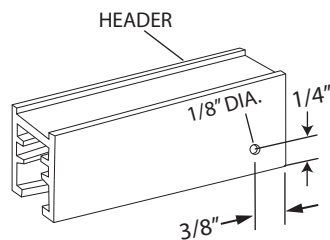
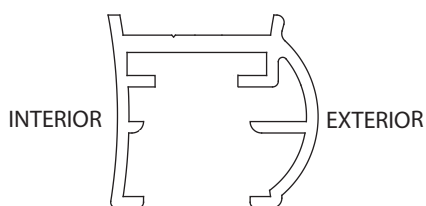


**2** Using a level on the wall jambs [B], plumb the jambs and mark the hole locations on the wall. Remove the jambs and drill for hardware.

For tile or marble walls, drill six 3/16" diameter holes and insert the plastic wall anchors [C]. Attachments to fiberglass or acrylic units can be made in two ways. If reinforcement is built into the wall of the unit, drill six 1/8" holes to install mounting screws directly into the reinforcement. If walls are not reinforced, drill six 3/16" holes and install plastic wall anchors or toggle bolts (toggle bolts not supplied by BASCO).



**3** Measure the wall-to-wall opening at the top of the wall jambs [B] and cut the header [E] to fit the exact opening. Using a 1/8" drill bit, drill the interior face of the header on both ends as shown.



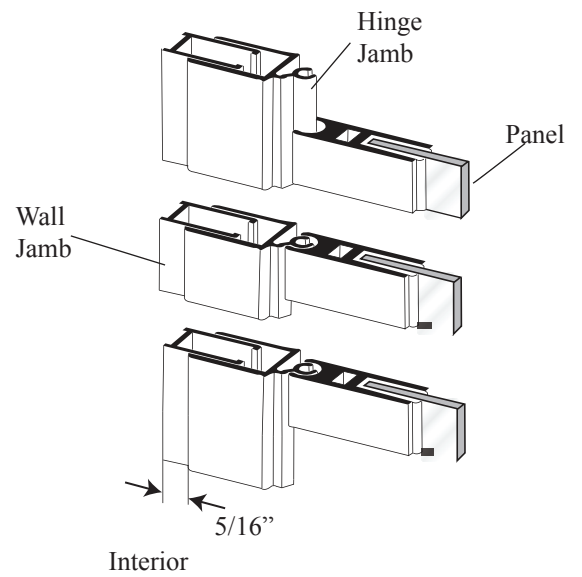
**4** Slide the hinge jamb of the door panel assembly [H] over the mounted wall jamb [B] so that the door will open outward.

Adjust the door panel assembly so there is a 5/16" clearance between the edge of the hinge jamb and the wall.

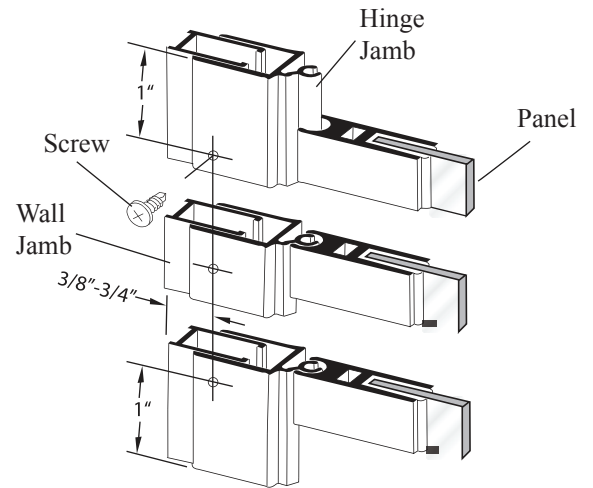
**IMPORTANT:** Use a level to make sure the door is plumb

**CHECK:** The door glass should be 1/16" from the center point that was shown in step #2.

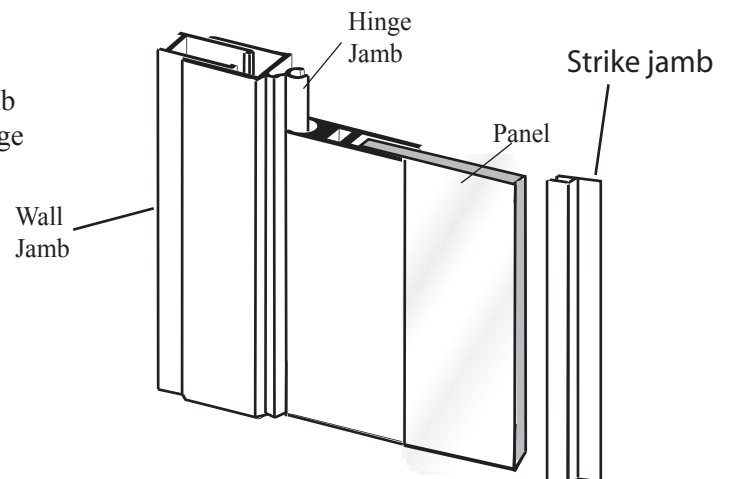
**HINT:** INSTALLING THE HANDLE BEFORE YOU INTALL THE PANEL WILL GIVE YOU A BETTER HANDLEING OF THE DOOR PANEL



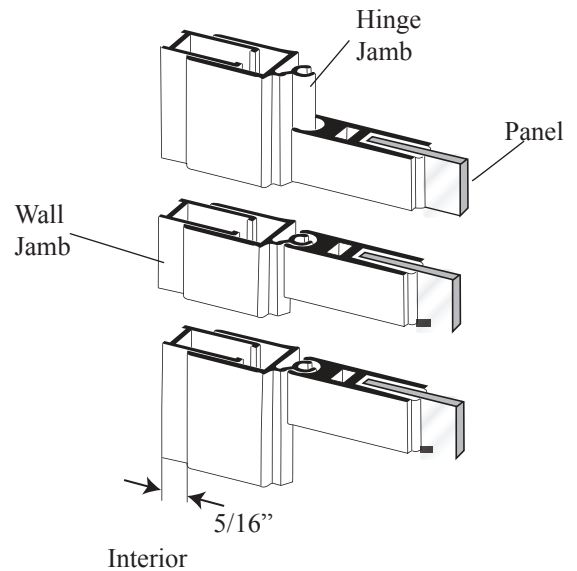
**5** Inside the shower enclosure, drill two 1/8" holes through the hinge jamb and into the wall jamb [B] 3/8" to 3/4" from the wall and approximately 1" vertically from each end of the hinge jamb. Drill a third hole centered between the first two. Attach the door panel assembly permanently with three #6 x 3/8" pan head screws [G].



**6** Before installing the 2nd door panel, find the strike jamb [W] and install in on the first panel. This will protect the edge of the glass when aligning the 2nd door panel.



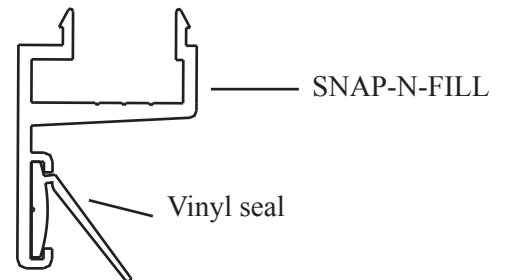
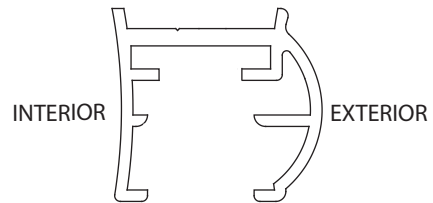
**7** When installing the 2nd panel slide the hinge jamb of the door panel assembly (H) over the mounted wall jamb (B) so the door will open outward while holding the panel, install the snap-n-fill (J) into the header. This will allow you to adjust the 2nd door.



**IMPORTANT:** The snap-n-fill (J) should come with 2 magnets and 2 vinyl seals (O) already in place. If not you must put them in before installing the snap-n-fill into the header

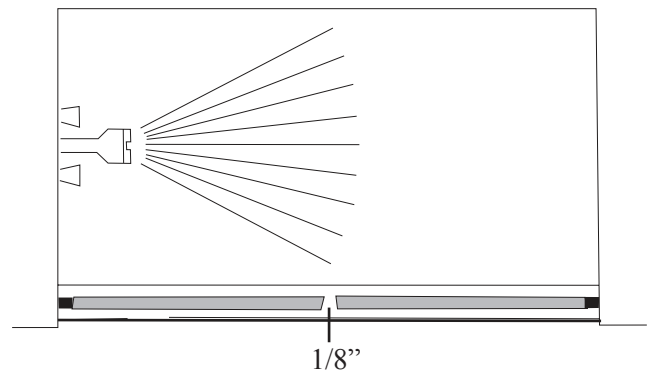
**NOTE:** If the snap-n-fill is not cut to size. Use this formula

**#1 panel glass size + #2 panel glass size + 1 7/8 = (snap-n-fill)**



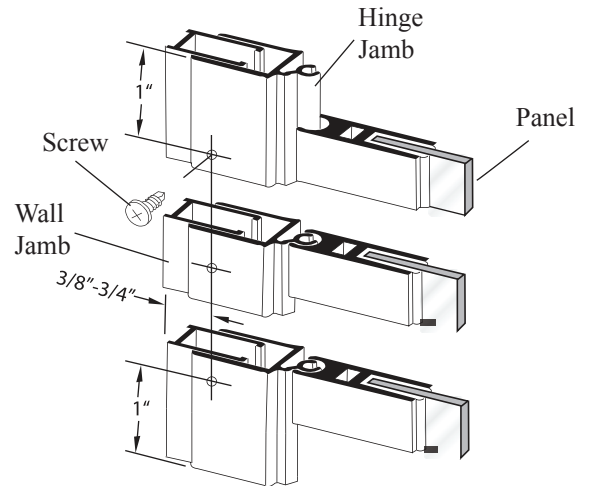
**8** Pull the top of the hinge jamb (H) tight with the snap-n-fill (J) use a level to make sure the door panel is plumb.

Allign the 2nd door panel with the 1st door panel leaving a 1/8" clearance between the two panel panels.



## 9 ONCE THE TWO DOORS ARE ALIGNED, REPEAT STEP #5 (AS SEEN BELOW)

Inside the shower enclosure, drill two 1/8" holes through the hinge jamb and into the wall jamb [B] 3/8" to 3/4" from the wall and approximately 1" vertically from each end of the hinge jamb. Drill a third hole centered between the first two. Attach the door panel assembly permanently with three #6 x 3/8" pan head screws [G].

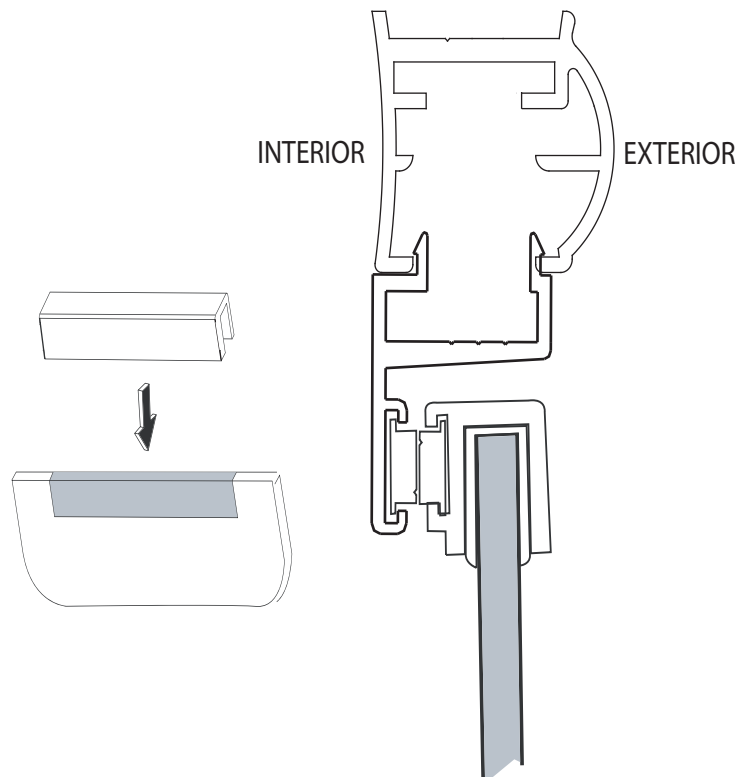


## 10

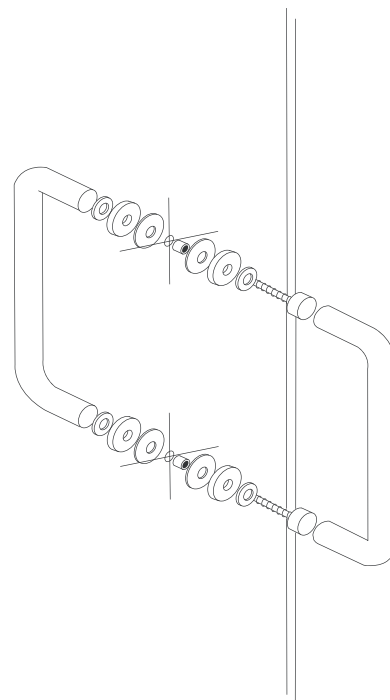
Slide the magnetic latch (N) onto the door panel close the door and align the latch with the magnet in the snap-n-fill. Use a pencil or tape and mark the location of the latch on the door.

Place the vinyl material onto the door between the mark and carefully drive the door latch onto the panel trim excess vinyl material off with utility knife.

**NOTE:** Never use a metal hammer when installing door latches



**11** SEE SUPPLEMENT INSTRUCTION SHEET FOR INSTALLATION OF EITHER THE “C” PULL HANDLE OR “C” TOWEL BAR COMBO.



---

---

## 12 OPTIONAL VINYL FOR INSTALLATION

The **h-jamb (P)** vinyl found in step #6 is a optional seal.

---

---

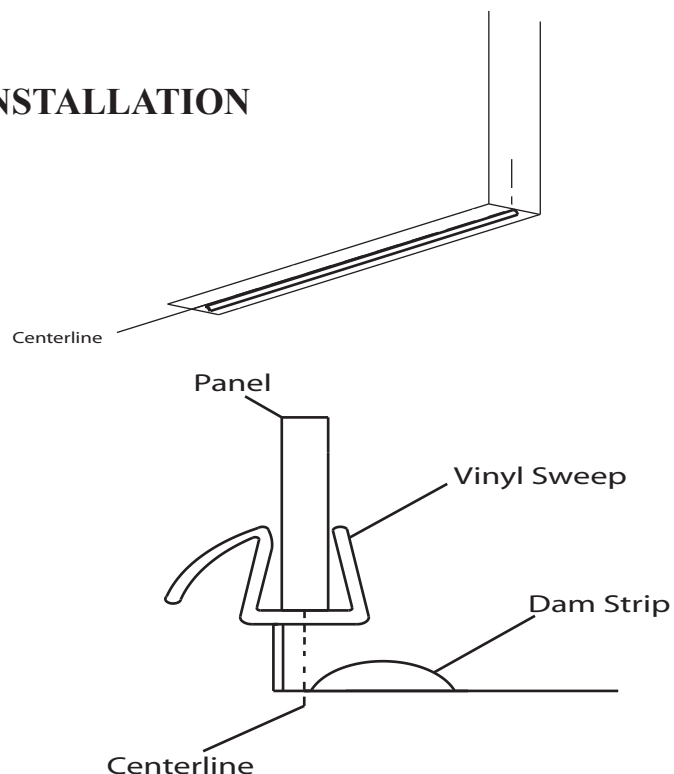
## 13 OPTIONAL BOTTOM SEAL FOR INSTALLATION

The **1/2 moon dam strip (A)** This dam strip is placed between the hinge jambs and helps prevent water leakage.

**To Install:** Measure the distance between the hinge jambs and cut the dam strips to the exact opening. Use silicone to adhere to the threshold.

**Important: The placement of the dam strip is very important!**

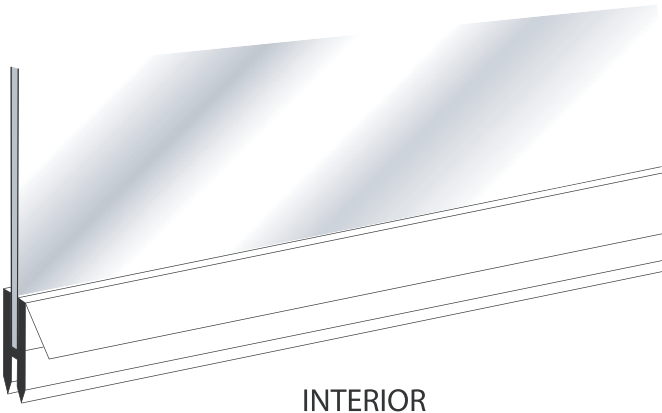
Make sure to place the inside lip of the dam strip on the center line





# 14

Align the deflector to the bottom of the door with the hinge side notch over lapping the hinge, then mark the opposite side even with the door edge cut deflector at that point.



# 15

Neatly caulk the inside perimeter of the shower curb and the hinge jamb

**NOTE:** Improper caulking will result in leaks.

**NOTE:** The caulking should be allowed to cure for twenty-four hours before using your new shower enclosure.

