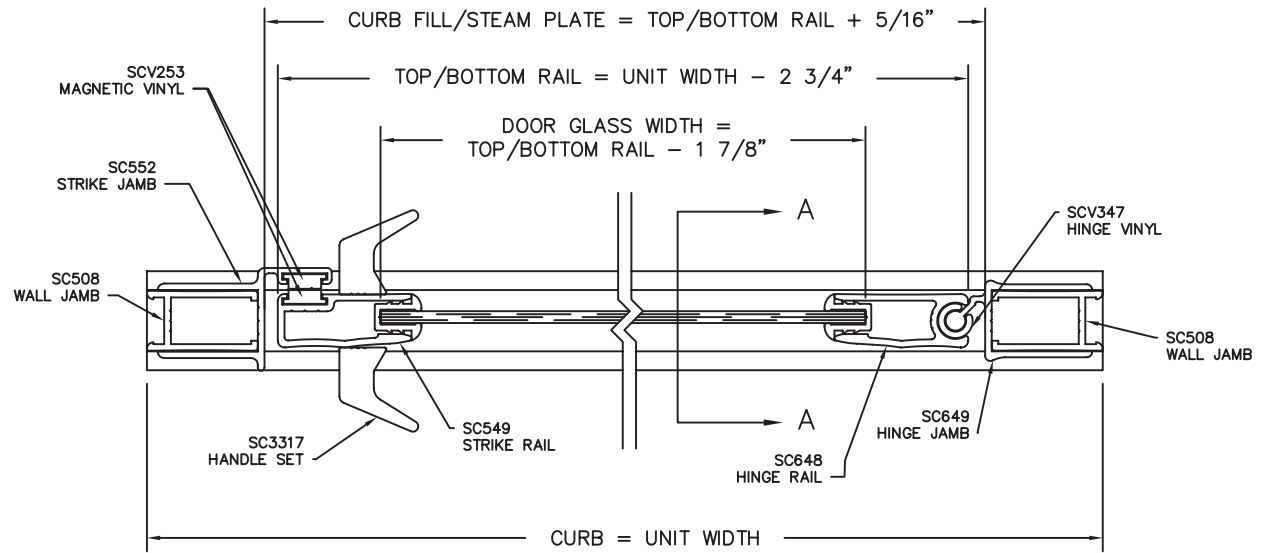


SECTION A-A



SECTION B-B

LET.	INIT.	DATE	DESCRIPTION
REVISIONS			

3rd ANGLE PROJECTION

ITEM	QTY.	DRAWING / PART NO.	DESCRIPTION
DIMENSIONAL TOLERANCE NOTES: UNLESS OTHERWISE SPECIFIED			<p>This Drawing is the sole property of BASCO Inc. It shall not be copied or reproduced by any means and should not be submitted to any outside party without the written consent of BASCO Inc. This drawing is to be used in good faith, and as a reference document for our project only. This drawing is subject to recall at any time.</p> <p style="text-align: center;">BASCO SHOWERS ENCLOSURES 7201 ENDER ROAD, WAGON, OHIO 45040-9601 PHONE: 866.686.9435 FAX: 877.686.9435</p> <p style="text-align: center;">DRAWING TITLE ASSEMBLY 18HI CONTINUOUS HINGE STEAM DOOR</p>
INCH DIMENSIONS		METRIC DIMENSIONS [mm]	
X.XXXX	± .0005	[X.XXX] ± [.013]	
X.XXX	± .005	[X.XX] ± [.13]	
X.XX	± .01	[X.X] ± [.3]	
X.X	± .04	[X] ± [1.0]	
ANGLES		ALL INSIDE CORNERS	
FRACT.		.02 [.5] RAD. MAX.	
MARK PARTS WITH DETAIL # BY STAMPING OR ETCHING			BREAK ALL SHARP CORNERS .02 [.5] X 45° MIN.
ALL MACHINED SURFACES ARE TO BE			<p>DESIGNED BY: DV DATE: 09/06/06</p> <p>DETAILED BY: JRS DATE: 09/06/06</p> <p>CHECKED BY: PS DATE: 09/06/06</p> <p>SHT No. TOTAL SCALE: NTS</p>
DO NOT SCALE THIS DRAWING			
DRAWING NUMBER (Autocad file no.)			REVISION
18HI DETAIL SHEET			