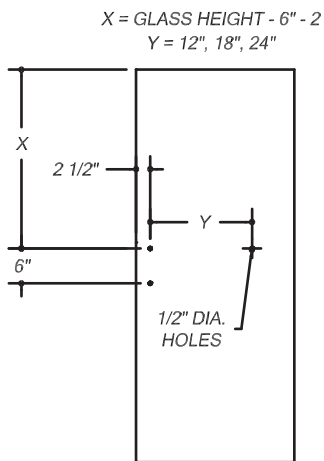
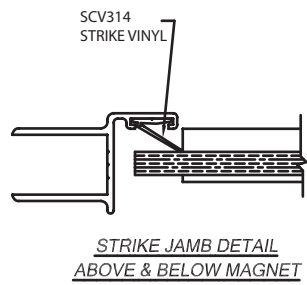


VERTICAL CROSS SECTION



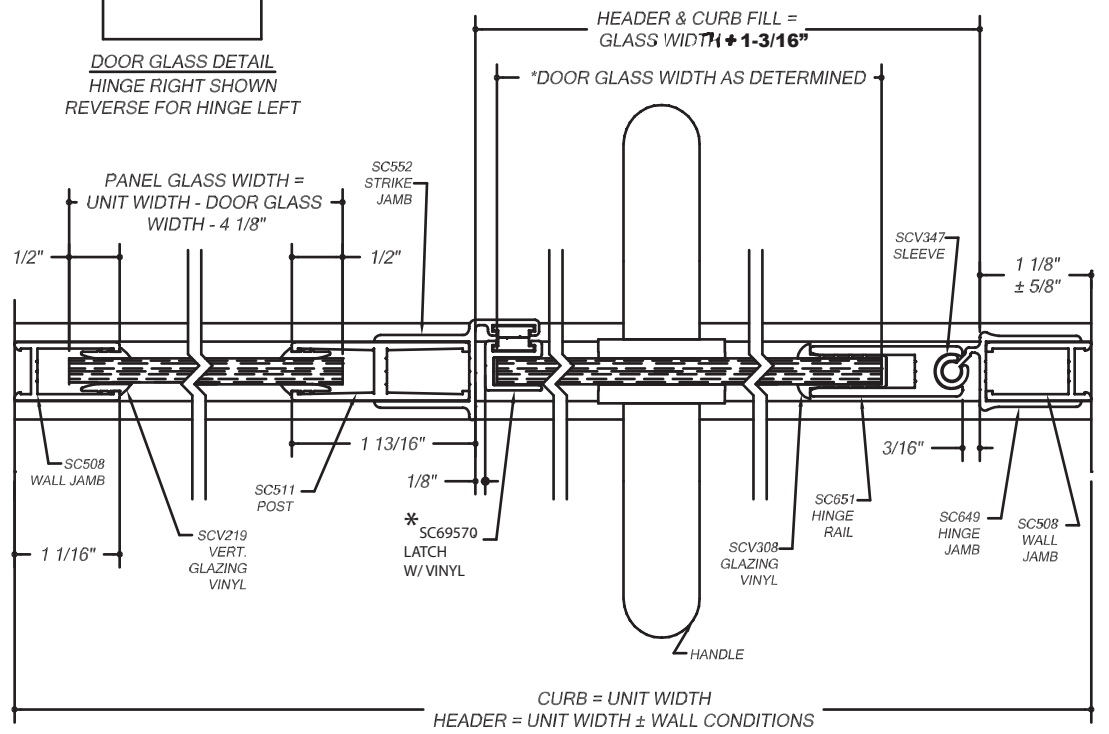
DOOR GLASS DETAIL
HINGE RIGHT SHOWN
REVERSE FOR HINGE LEFT



STRIKE JAMB DETAIL
ABOVE & BELOW MAGNET

- NOTES**
- GLASS AND OVERLAP OF VERTICAL MEMBERS MAY BE ALTERED TO FACILITATE USE OF STANDARD GLASS SIZES OR FOR OUT PLUMB WALL CONDITIONS.
 - THE SC4030 STRIKE JAMB MAGNET SHOULD BE CENTERED IN THE JAMB WITH SCV314 JAMB SEAL VINYL ABOVE AND BELOW IT (SEE DETAIL).
 - TOWEL BAR ASSEMBLIES ARE AVAILABLE IN 12", 18" & 24" SIZES. ALL SIZES ARE MEASURED CENTER TO CENTER OF THE MOUNTING HOLES.

* NOTE: SC69570 CONTAINS:
SC784 LATCH : SCV4123 VINYL;
& SC4030 MAGNETS



HORIZONTAL CROSS SECTION

NOTE: GLAZING MATERIAL FOR ALL KD UNITS AND GLAZED UNITS MUST CONFORM TO ANSI Z97.1 AND CPSC STANDARD 16 CFC 1201 CATEGORY I AND II.

REV.#2
DATE: 06/27/08

SERIES	UNIT	WIDTH & HEIGHT	DOOR GLASS	PANEL GLASS
1413			WIDTH AS DETERMINED*	WIDTH AS DETERMINED*
1713	1413	60" X 68 5/8"	HEIGHT= 65 3/8"	HEIGHT= 67 1/2"
INFINITY				
FRAMLESS	1713	60" X 72 1/8"	HEIGHT= 68 7/8"	HEIGHT= 71"
CONT. HINGE				



7201 Snider Road - Mason, Ohio 45040
Phone (513) 573-1900 Toll Free 1-800-543-1938