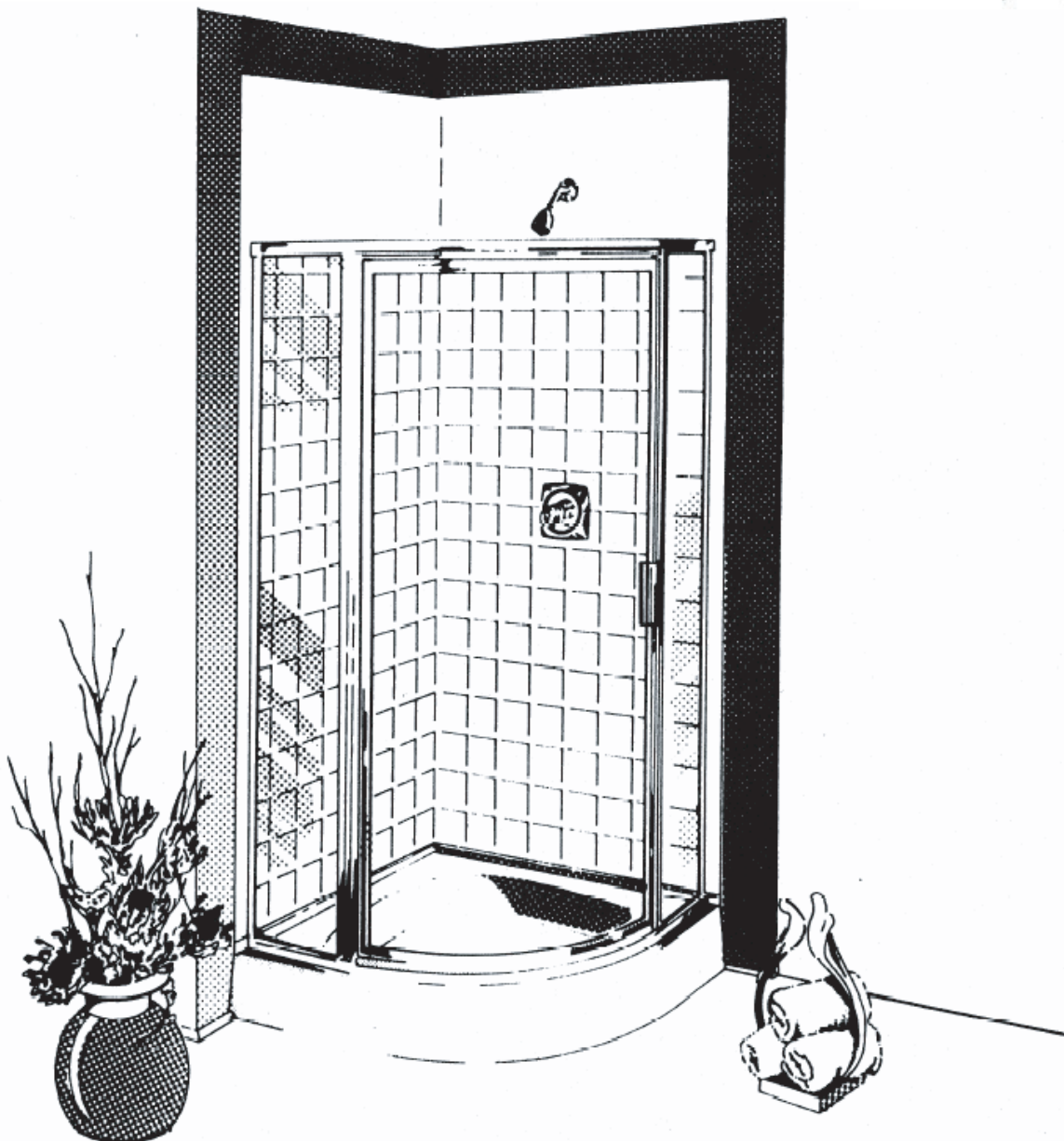




INSTALLATION
INSTRUCTIONS

UNIT No. 660 CONTOURS SHOWER ENCLOSURE



MAINTENANCE: Two primary materials are used to manufacture your new Basco enclosure: tempered glass and anodized aluminum. To assure a long lasting finish on the enclosure, wipe it down with a towel after each use. Never use a scouring agent to clean the aluminum.

For occasional, more concentrated cleaning efforts, we find that *Lysol Bathroom Cleaner* works extremely well. Be sure that any over spray falling on the aluminum frame is rinsed thoroughly and dried. Many over-the-counter cleaners, if applied to the aluminum and left on, will harm the metal finish and cause permanent damage, even though their directions indicate safe use on shower doors.

INSTALLATION NOTES: Unpack your unit carefully and inspect for freight damage. Layout and identify all parts using the instruction sheets as a reference. Before discarding the carton, check to see that no small hardware parts have fallen to the bottom of the box. If any parts are damaged or missing, refer to the descriptions noted in the instructions when contacting your dealer for replacements.

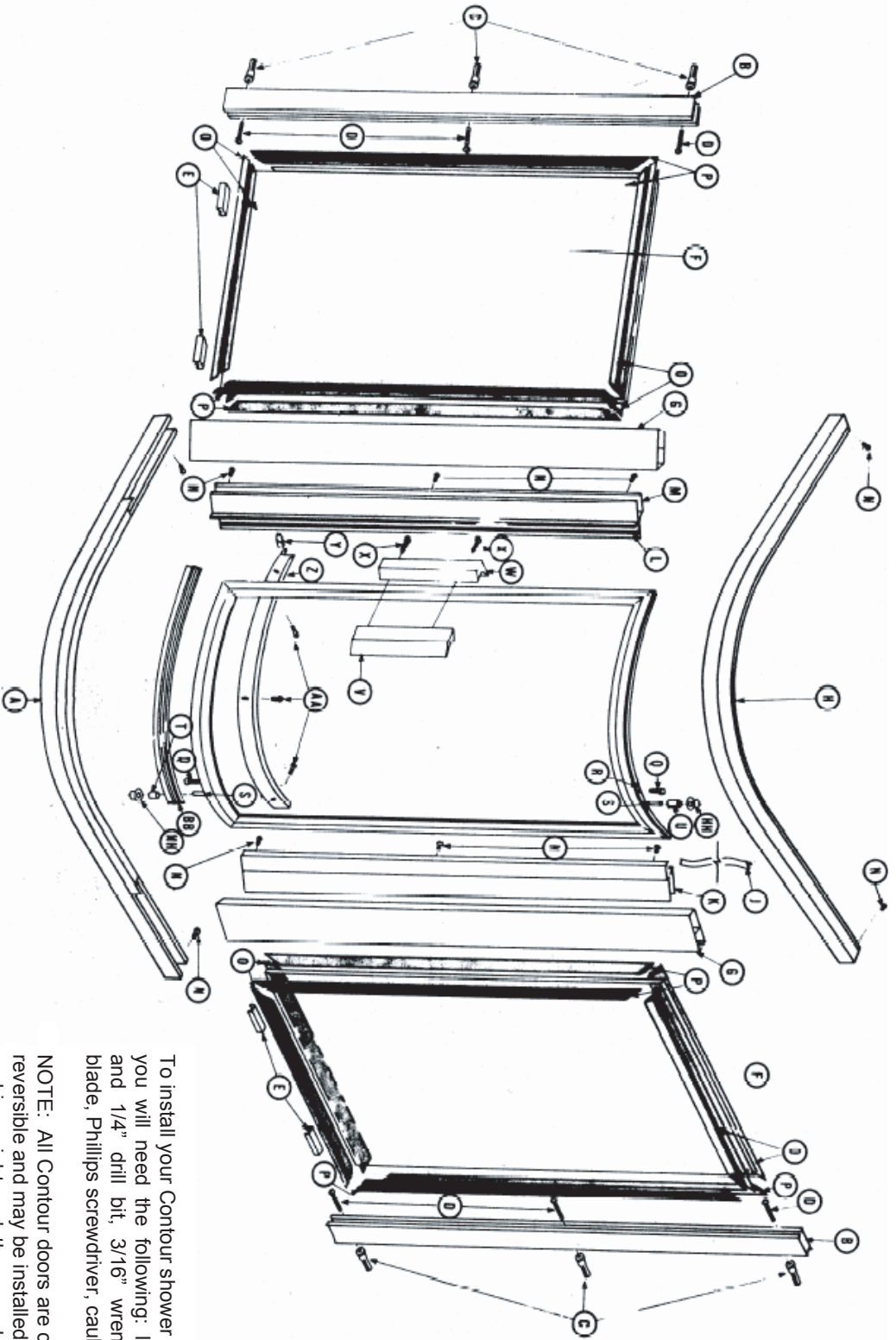
Handle the glass panels carefully and protect the edges.

Please wear safety glasses whenever drilling or cutting. When drilling holes in the ceramic tile or marble, use a center punch and hammer to carefully break the surface glaze so the drill can start without skidding.

To install your BASCO Shower Door you will need the following: level, #2 Phillips screwdriver, drill, 1/8" and 1/4" drill bits, 3/16" wrench, razor blade, and caulking (clear silicone recommended). Optional tools include a miter box for cutting parts to length, files, center punch, clear glue and masking tape.

NOTE: Tempered glass cannot be cut.

Although safety tempered glass is very resistant to breakage, the glass can still break if unequal pressure is placed on it during installation. Use caution. In addition, the sharp corners of the panels can damage tile and floor surfaces, so it is best to handle the glass panels carefully and protect the edges.



660 CONTOURS PART LIST

- A. 1 Curb
- B. 2 Wall Jambs
- C. 6 Plastic Wall Anchors
- D. 6 #8 x 1 1/2" Truss Hd Screws
- E. 4 Setting Blocks
- F. 2 Glass Panels
- G. 2 180° Posts
- H. 1 Header
- I. 2 Fillers
- J. 1 Pivot Jamb Vinyl
- K. 1 Pivot Jamb

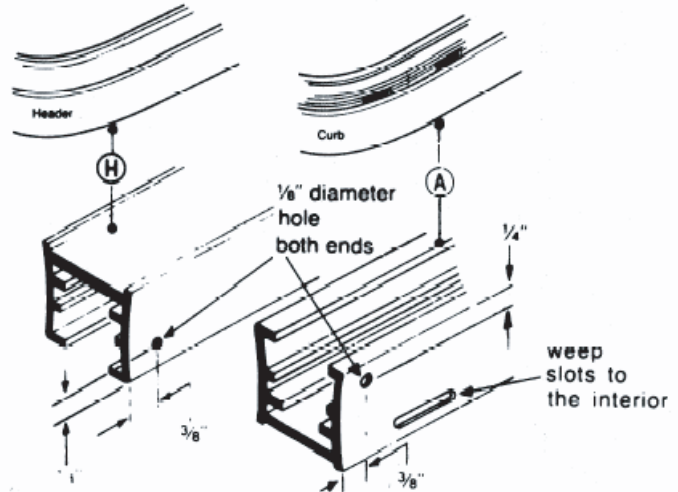
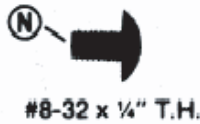
- L. 1 Strike Jamb Magnet
- M. 1 Strike Jamb
- N. 14 #8-32 x 1/4" Truss Hd Screws
- O. Horizontal Glazing Vinyl
- P. Vertical Glazing Vinyl
- Q. 2 Set Screws
- R. 2 Slide Bars, Installed Top & Bottom Rail
- S. 2 Pivot Pins, Installed Top & Bottom Rail
- T. 1 Nylon Spacer
- U. 1 Security Washer

- V. Exterior Handle
- W. Interior Handle
- X. 1 #6-32 x 1 1/2" Rnd
- Y. 1 Drip Channel Plug
- Z. 1 Drip Channel
- AA. 5 #6 x 3/8" Truss Hd Screws
- BB. 1 Drip Vinyl
- FF. 1 Basco Label
- HH. 2 Nylon Bushings
- II. Curb Filler Plug

To install your Contour shower enclosure you will need the following: level, 1/8" and 1/4" drill bit, 3/16" wrench, razor blade, Phillips screwdriver, caulking.

NOTE: All Contour doors are completely reversible and may be installed hinge-left or hinge-right and they can be pivoted from either 180 post. These illustrations depict a hinge-right door.

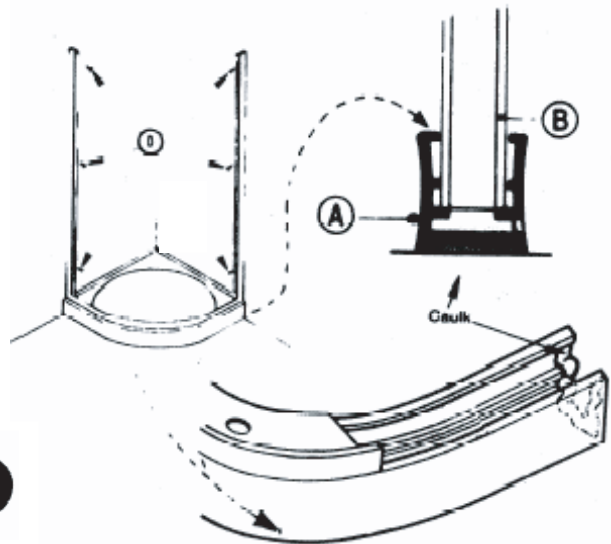
- 1** Position the curb [A] in the opening and mark its position with a pencil lightly.



- 2** Press the wall jambs [B] into the curb [A]. Plumb the jambs and mark the hole locations on the wall. Remove all parts and drill the walls for fasteners with a 7/32 inch diameter bit. In tile walls drill 1/4 inch diameter holes and insert plastic wall plugs [C].

Apply caulking to the underside of the curb [A] and replace in the exact position marked in Step #1. Caulk both ends of the curb in the area where it meets the wall.

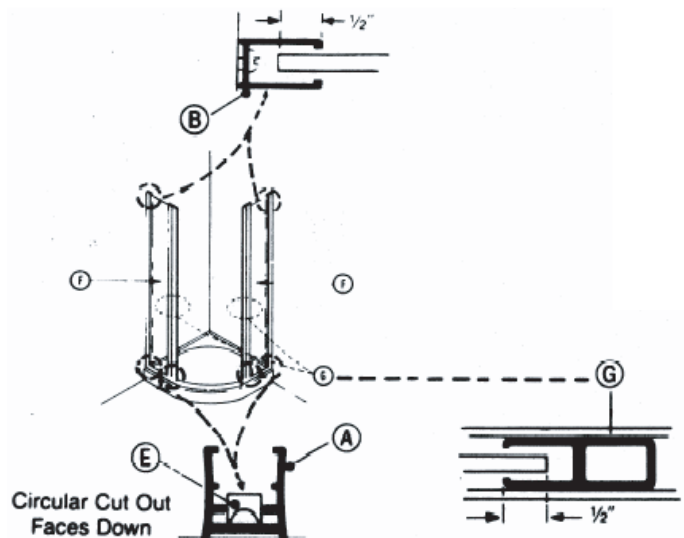
Replace the wall jambs and attach to the wall with six #8 x 1 1/2 inch truss head screws [D].



- 3** Place the setting blocks [E] in the curb [A] as shown. The setting blocks should be positioned to support the glass panel [F] approximately 3 inches from the corner and 3 inches from the 180 degree post [G].

Install the glass panels. They should rest on the setting blocks and be engaged approximately 1/2 inch into the wall jambs. Press the 180 degree posts [G] into the curb. The posts should overlap the glass by 1/2 inch.

NOTE: The 1/2 inch glass bite may be varied from 1/4 inch to 3/4 inch to facilitate out-of-plumb walls.



4

Strip the pivot jamb vinyl [J] into the pivot jamb [K] and trim flush with the ends. Press pivot jamb over the 180° post [G]

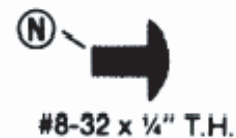
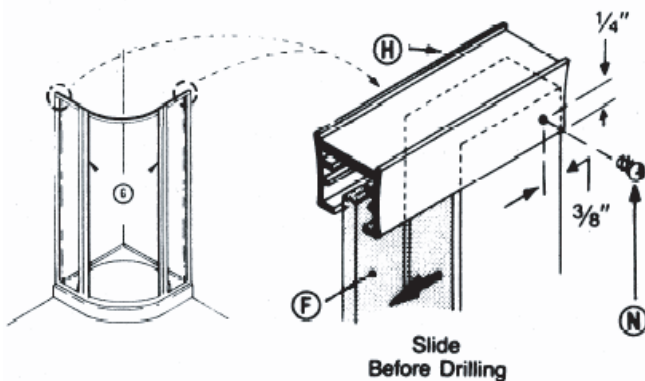
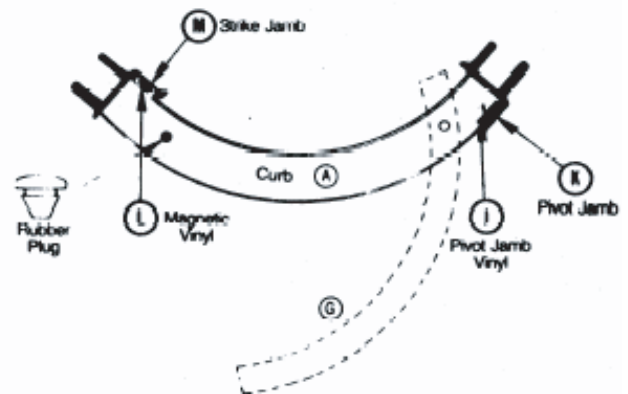
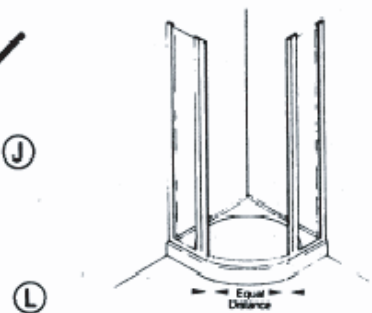
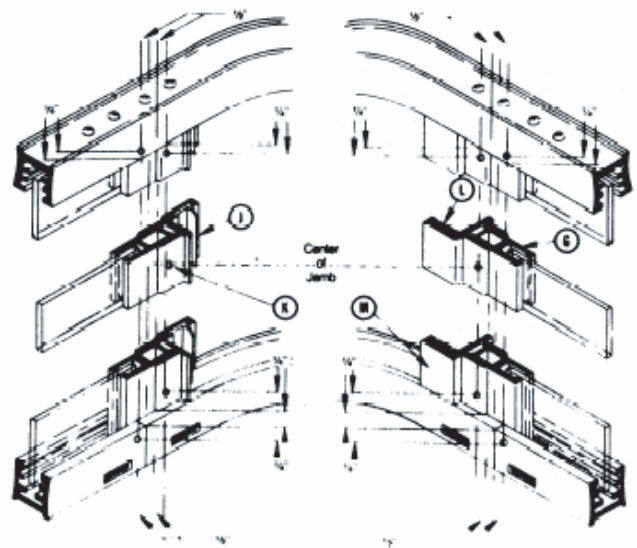
NOTE: Make sure the fin of the pivot jamb is to the exterior.

Your enclosure is equipped with a magnetic catch [L]. The magnets are installed in the strike jamb [M]. Press the strike jamb [M] over the 180° post [G] with the fin positioned to the interior. Position the header [H] over the wall jambs [B] and the 180° post [G].

Using the holes previously drilled in the header and the curb as a guide, drill matching holes in the wall jambs using a 1/8" bit. Slide the glass panels away from the wall jambs before drilling to prevent damage to the glass. Secure the header and curb to the wall jambs with four #8-32 x 1/4" truss head screws [N]. Reposition the glass panels [F]. Moving the 180° posts laterally as required to maintain proper coverage on the glass panels [F], plumb the 180° posts and using a 1/8" bit, drill through the interior of header and curb into the posts in the locations shown on the illustration. Secure the 180° posts with four #8-32 x 1/4" truss head screws [N] in the position shown.

Press the pivot jamb over the 180° post and plumb. Drill three 1/8" diameter holes through the interior of the pivot jamb and the 180° post. Attach the pivot jamb to the 180° post with three #8-32 x 1/4" truss head screws.

Drill and attach the strike jamb to the 180° post in the same manner as the pivot jamb.



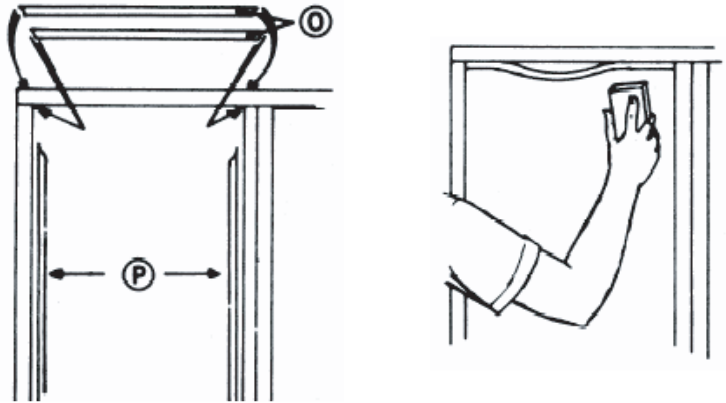
5

Inspect the glazing vinyl and note there are two profiles. The larger shape [O] is installed horizontally and the smaller shape [P] is installed vertically. The horizontal vinyls are installed first.

Cut the vinyl slightly longer than the opening (this prevents shrinkage) and trim the ends on a 45° miter. Press the interior vinyl into place. Use a wood block to tap the exterior vinyl into place starting at both ends and working to the middle. Install the bottom vinyl in the same manner.

Install the vertical vinyls being sure the corners fit tightly against the horizontal vinyl.

NOTE: Contour vinyls are designed to fit tight. This insures maximum water protection and prevents shrinkage or fall-out created by temperature extremes. If vinyl is difficult to tap in, lubricate the vinyl with glass cleaner.



BE SURE YOU HAVE THE PROPER VINYL.

3/16" Glass Requires:	V-226	V-225
	Notch Vert.	Notch Horiz.

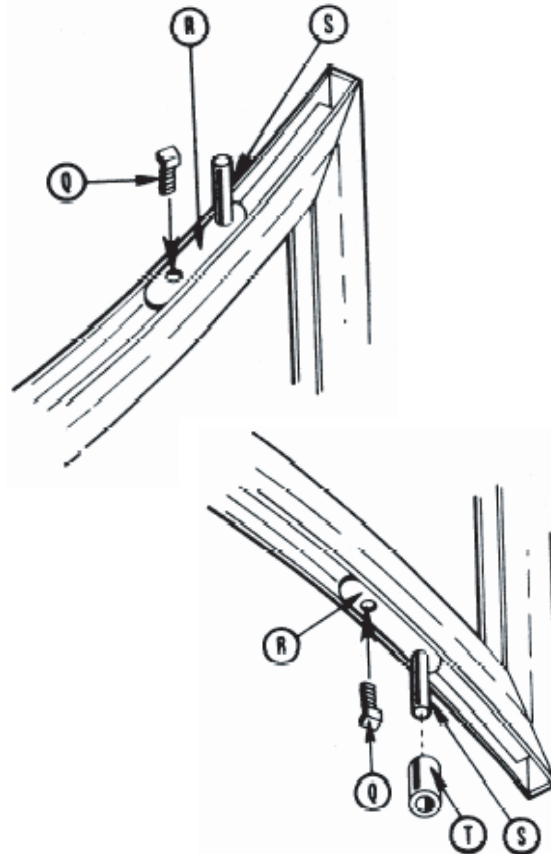
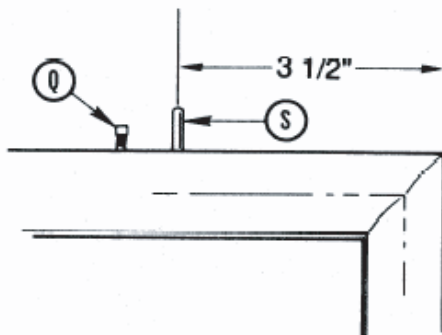
6

Note that the door is reversible. Position it for desired hand with the handle holes positioned on the strike side.

Screw set screws [Q] in the tapped holes of the slide bars [R] which are pre-assembled in the top and bottom of the door with the pivot pins [S].

Press the nylon spacer [T] over the bottom pivot pin and flush with the bottom of the door.

Position the pivot pins in the distance shown from the door edge and tighten the set screws with a 3/16" wrench.



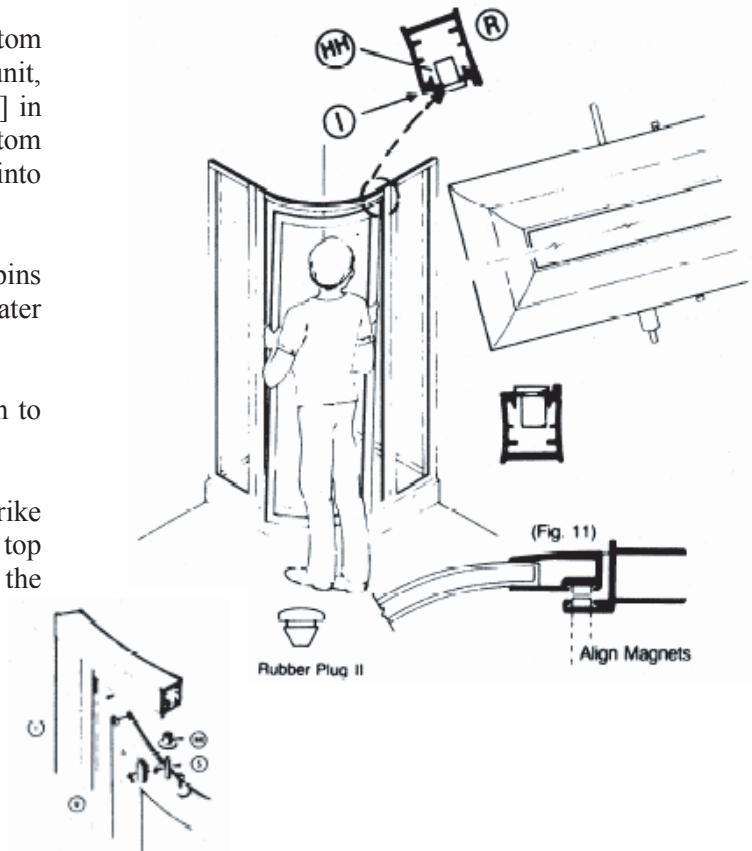
7

Insert nylon bushing [HH] into top and bottom fillers [I]. Holding the door at an angle to the unit, engage the pivot pin [S] in the nylon bushing [HH] in the top filler [I]. Lift the door up to clear the bottom pin. Rotate into position and drop the bottom pin into the nylon bushing in the bottom filler.

The holes opposite the ones that receive the pivot pins for the door, insert rubber plug [II] to eliminate water from entering the curb.

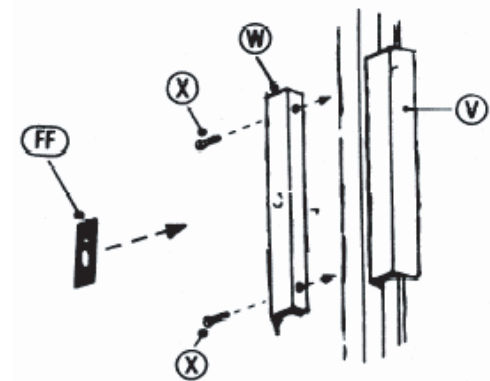
Snap the security washer [U] over the top pivot pin to prevent accidental dislodging of the door.

Close the door and check the clearance with the strike jamb. If necessary loosen the set screw [Q] on the top and/or bottom slide bar and adjust the door to align the magnets (Fig. 11).



8

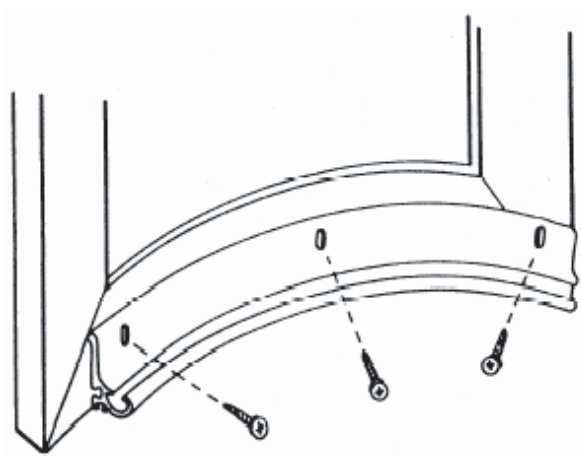
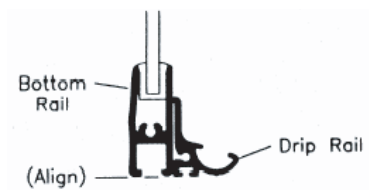
Attach the exterior handle [V] and the interior handle [W] to the door with two #6 – 32 x 1 1/4" round head screws [X]. Apply the Basco label [FF].



9

On inside face of door at bottom drill three holes with 1/8" bit where indicated by marks on tape. After drilling, remove tape.

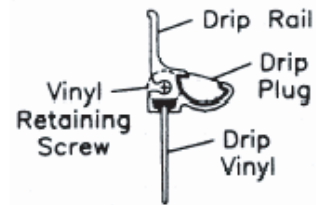
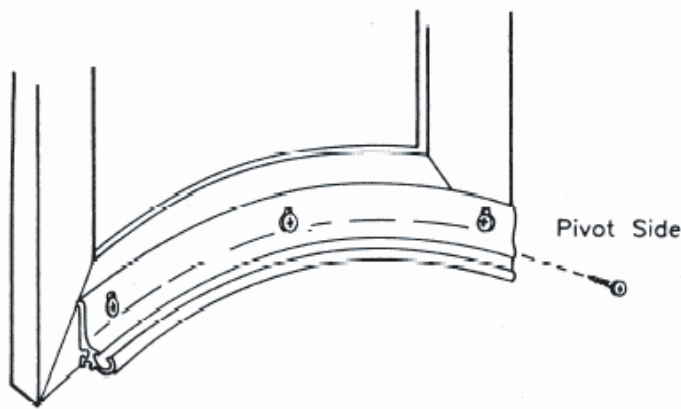
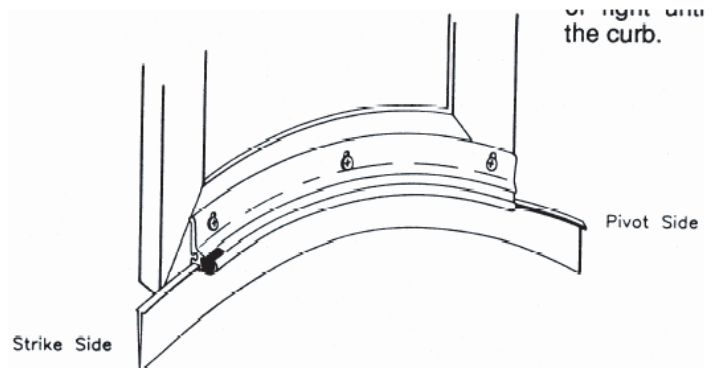
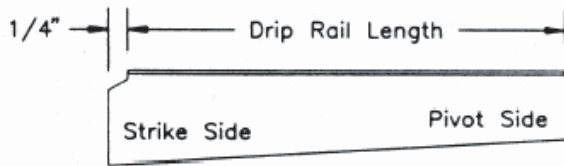
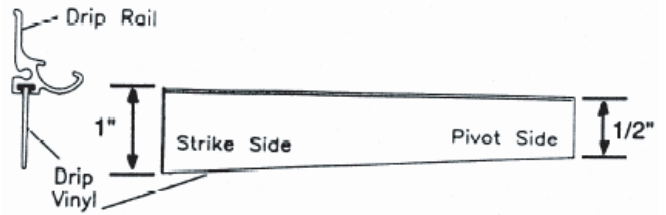
Position Drip Rail – Position drip rail flush with the pivot side and aligned with the bottom of the door. Attach the drip rail using three #6 x 3/8" truss head screws.



10

Install the vinyl. Insert the vinyl into drip rail as shown below. Loosen attachment screws and adjust drip rail so that it slopes down toward pivot side and vinyl is parallel to curb. Tighten screws. Adjust height of vinyl by sliding left or right until it just touches the curb.

Secure the vinyl. Trim flush with pivot end of drip rail and notch strike end per detail shown below. Secure vinyl with two #6 x 3/8" truss head screws. Push drip plug into the high (strike) side of drip rail.

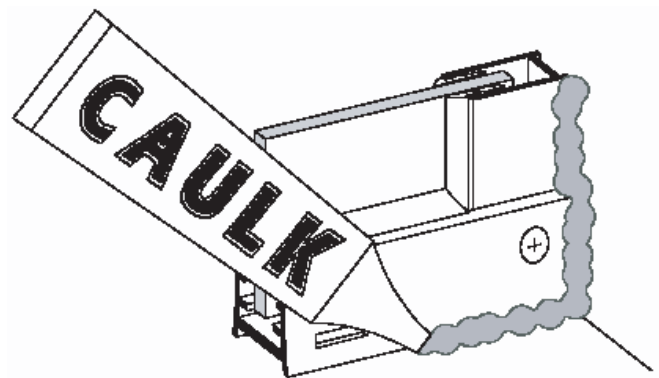


11

Caulk the interior of the wall jambs and curb.

NOTE: We recommend that you let the caulk cure for 24 hours before using your new enclosure.

SEE INSTRUCTIONS ON CAULKING TUBE.



Note: Do not caulk over weep holes