



INSTALLATION INSTRUCTIONS

1951 PRECERIA STRAIGHT FRAMELESS SHOWER ENCLOSURE



1951 - Preceria Parts List

| KEY | DESCRIPTION | PART NO. | QTY |
|-----|----------------------|-------------|-----|
| A1 | FRONT HEADER | SC885 | 1 |
| A2 | RETURN HEADER | SC885 | 1 |
| B1 | VERTICAL U-CHANNEL | SCX887 | 1 |
| B2 | VERTICAL U-CHANNEL | SCX887 | 1 |
| B3 | HORIZONTAL U-CHANNEL | SCX887 | 1 |
| B4 | HORIZONTAL U-CHANNEL | SCX887 | 1 |
| D | DRIP VINYL | SCV452-2-28 | 1 |
| D1 | BULB SEAL VINYL 98" | SCV927 | 2 |

| | | | |
|----|----------------------------------|-----------|---|
| - | PRECERIA UNIT PARTS PAK | SCPRCR1PP | 1 |
| N | HEADER CORNER BRACKET ASSEMBLY | SC4061 | 2 |
| O | HEADER BRACKET ASSEMBLY | SC4062 | 2 |
| L | HEADER BRACKET 90 ASSEMBLY | SC4063 | 1 |
| S | HEADER PIN | SC4015 | 6 |
| R | HUB | SC4027 | 6 |
| Q | 7/16" SET SCREW | SCR62SV | 6 |
| P | HOLE PLUG | SC4028 | 6 |
| U | CORNER VINYL | SCV4022 | 4 |
| T | 5mm ALLEN WRENCH (BALL END) | SC5219 | 1 |
| T1 | 10-24 X 3/4 PAN CROSS HEAD SCREW | SCR63SV | 1 |
| Z | PRECERIA LOGO | | 1 |

PREC-NP

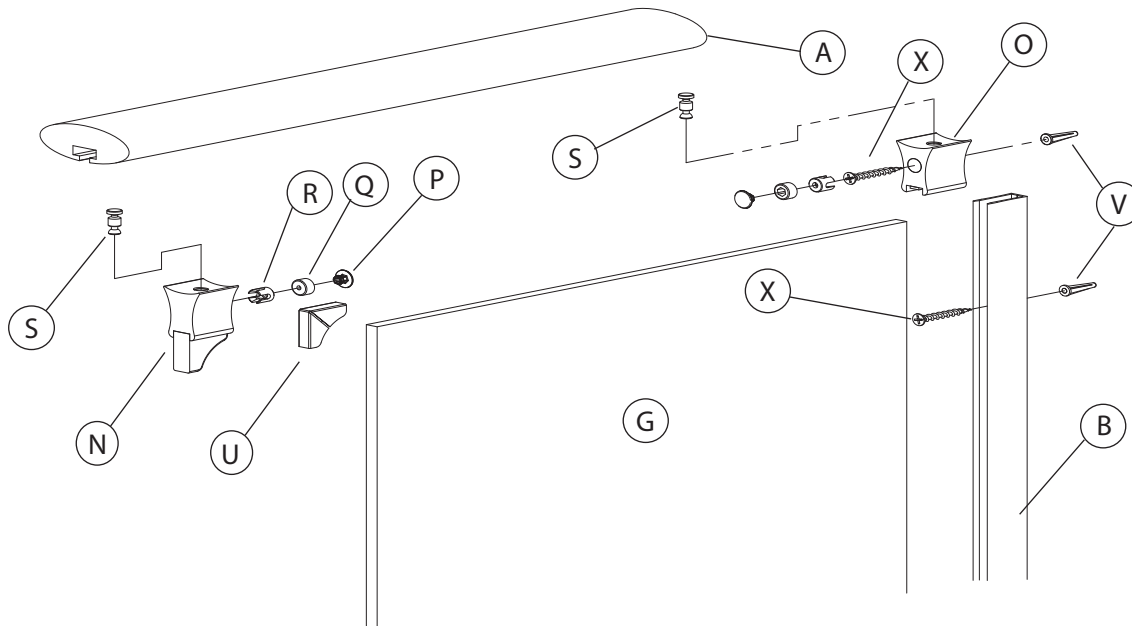
| | | | |
|----|------------------------------|-----------|----|
| - | PRECERIA FASTENERS PARTS PAK | SCPRCR2PP | 1 |
| V | PLASTIC ANCHOR | SC4106 | 16 |
| W | ALCOHOL PAD | | 2 |
| X | #8 X 1 1/2 SCREW | SCR09SV | 16 |
| Y1 | 1/4 SETTING BLOCK | SC8165 | 10 |
| Y2 | 3/8 SETTING WEDGE | SCV926 | 6 |
| Y3 | 1/8 SETTING BLOCK | SCV925 | 8 |
| Y4 | 1/16 SETTING BLOCK | SCV924 | 8 |

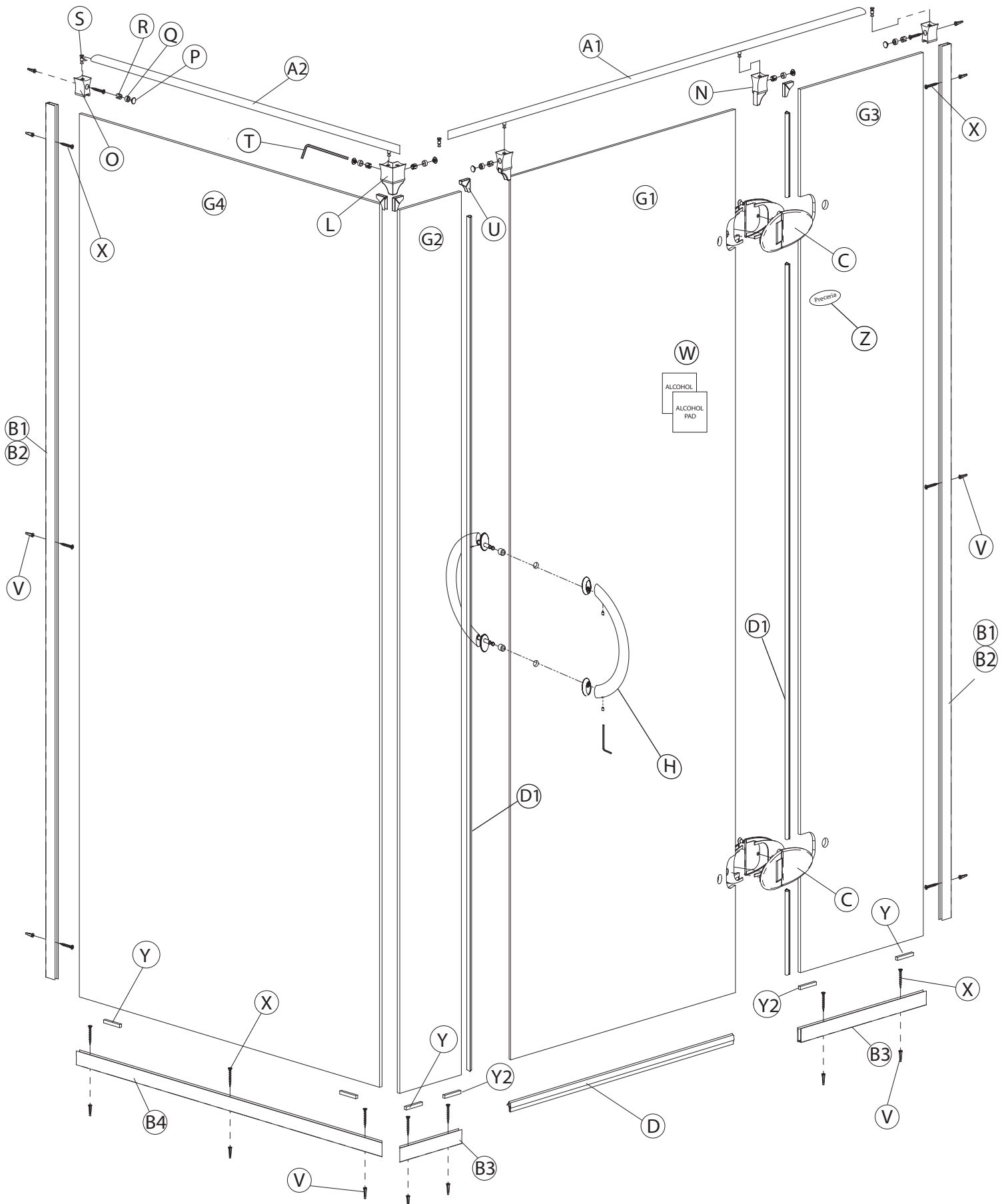
NOTE: Not every part in parts pak will be used

| | | | |
|---|-----------|----------|---|
| C | 180 HINGE | HG16A180 | 2 |
| H | 8" HANDLE | SC4017 | 1 |

| GLASS PANELS | | | |
|--------------|------------------------------------|--|---|
| G1 | DOOR PANEL | | 1 |
| G2 | STRIKE SIDE PANEL | | 1 |
| G3 | HINGE SIDE PANEL W/ NOTCH CUT-OUTS | | 1 |
| G4 | RETURN PANEL | | 1 |

* Part not shown





Tools:

To install your Basco Shower Enclosure, you will need the following:

- Pencil
- Low Tack Masking Tape
- Tape Measure
- 4 ft. & 6 ft. Level
- #2 Phillips Screwdriver
- Drill
- 3/16" - 1/4" Drill Bit
- Hack Saw
- Caulking (Clear Silicone Recommended)
- Caulking Gun
- Suction Cup (s)
- Center Punch (if drilling into tile)
- File
- Razor Knife

Installation Notes:

Unpack your unit carefully and inspect for freight damage. Lay out and identify all parts using instruction sheet as a reference. Before discarding the carton, check to see that no small hardware parts have fallen to the bottom of the box. Also, note the order number from one of the stickers off the box. If any parts are damaged or missing, refer to the description noted in the instructions and the order number when contacting your dealer for replacements.

Handle the glass panels carefully and protect the edges. Safety tempered glass is very resistant to breakage, but the sharp corners of the of the panels can damage tile and flooring surface. Although safety tempered glass is very resistant to breakage, the glass can still break if unequal pressure is applied during installation or an edge is hit against a solid surface.

Please wear safety glasses whenever drilling or cutting. When drilling holes in ceramic tile or marble, use a center punch and hammer to carefully break the glazed surface. This will help prevent skidding when drilling.

NOTE: Tempered glass cannot be cut.

Maintenance:

Two primary materials are used to manufacture you new Basco Preceria shower enclosure: tempered glass and anodized aluminum. To assure a long lasting finish on the enclosure, wipe it down with a towel after each use.

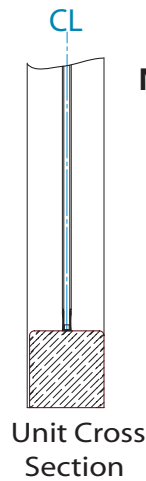
For occasional, more concentrated cleaning efforts, we find that **Lysol Non-Abrasive Bathroom Cleaner** works extremely well. Be sure that any over spray falling on the aluminum frame is rinsed thoroughly and dried. Many over-the-counter cleaners, if applied to the aluminum and left on, will harm the metal finish and cause permanent damage, even though their directions indicate safe use on shower doors. Never use a scouring agent to clean the aluminum. For more care and cleaning information as well as instructions for units with AquaGlide™ glass protection system, please visit our website:

www.BASCOSHOWERDOOR.com

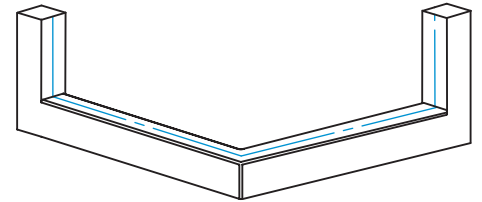
1 If a continuous unit center line does not exist from the original measuring process, it will be necessary to create one. Referencing the Preceria Measuring Guide included with this unit, lightly mark a continuous unit center line on the threshold.

Next, mark a continuous unit center line on each wall, starting where the threshold center line meets the wall. Use a level to ensure the wall center line is plumb and straight. The wall center lines should extend a minimum of the unit height from the threshold.

NOTE: Center line (CL) is a term used to describe the center or mid-point of the unit. The position of the unit center line can be located anywhere in the width of the threshold, as long as adequate structure exists beneath the center line for fastening and the outer edges of the unit will not overhang the threshold. The most common unit center line position is the middle of the threshold.



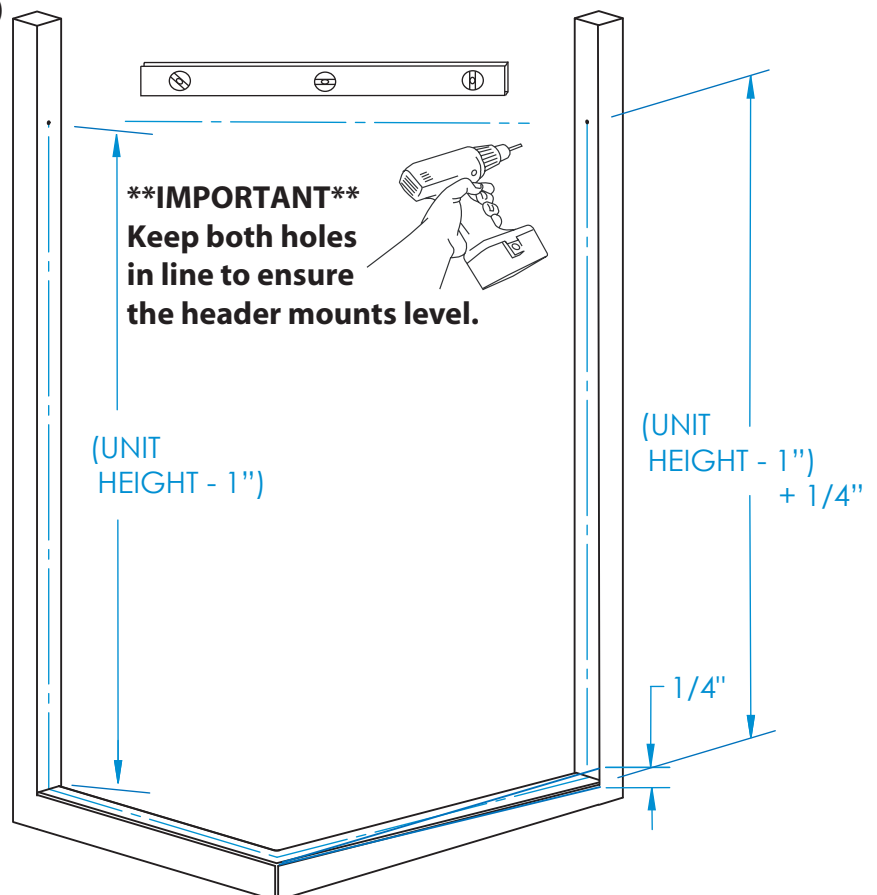
NOTE: It is extremely important that the unit center line be continuous and straight to ensure proper installation.



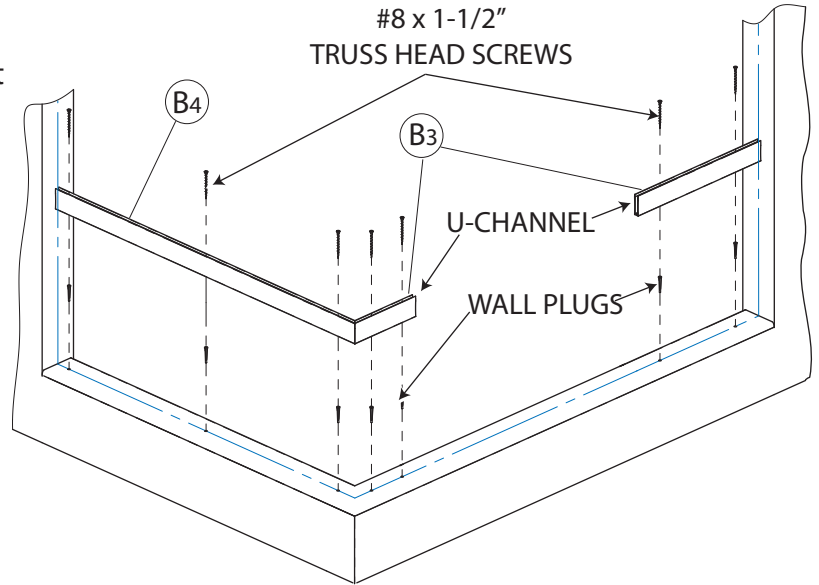
2 Use a level to check the threshold for out of level conditions if the original measured conditions are not available. If no conditions exist, measure up each wall center line a distance of (overall unit height - 1") from the threshold. Clearly mark each wall. Next, drill a 3/16" diameter hole at each mark.

If out of level conditions exist; measure up the "high" side wall center line a distance of (overall unit height - 1") from the threshold, and clearly mark this location. For the wall center line distance on the "low" side of the threshold, use a level to determine the threshold out of level distance and add this value to the measurement (overall unit height - 1"). Measure this summed distance up the "low" side wall center line, from the threshold, and clearly mark this location. Next drill a 3/16" diameter hole at each wall location. (see illustration example)

****THRESHOLD OUT OF LEVEL EXAMPLE. **
FOR REFERENCE ONLY.**



3 Using U-channel **[B3]**, cut two pieces to the appropriate sizes (see illustration for calculations). Check measurements prior to cutting to ensure that a distance of (Door Glass Panel Width + 3/8") will be obtained between the cut u-channels, for the door, when installed in the opening. For the return, use u-channel **[B4]**, cut to the appropriate size (see illustration for calculations). If measurements do not check correctly, re-measure and re-check. In the event there are still measurement discrepancies, contact Basco Technical Support.



**If your unit was ordered with a notched or buttress panel, please see appendix "A" on Pg. 16 for supplemental instructions.

Next drill two 3/16" diameter holes in the center of each u-channel (center line groove provided for convenience) approximately 2-1/2" in from each end. For the return u-channel, drill an additional hole in the middle of the other two holes.

Place each u-channel in its correct position with the u-channel center line over the threshold center line marked in step one. With a pencil, carefully mark each hole position on the threshold center line. Remove the u-channel and drill a 3/16" diameter hole in the threshold directly on the center line, at the marked locations.

$$Dw = \text{Glass Panel Width} + 5/16''$$

Straight Cut Both Ends

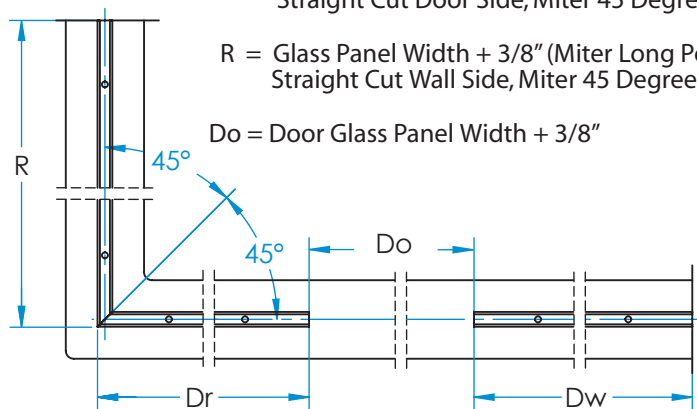
$$Dr = \text{Glass Panel Width} + 1/16'' \text{ (Miter Long Point To Straight)}$$

Straight Cut Door Side, Miter 45 Degrees Return Side

$$R = \text{Glass Panel Width} + 3/8'' \text{ (Miter Long Point To Straight)}$$

Straight Cut Wall Side, Miter 45 Degree Panel Side

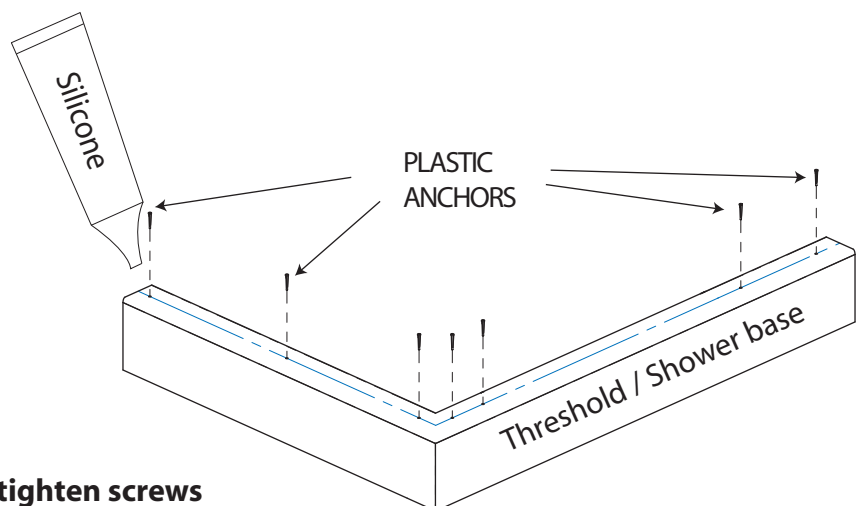
$$Do = \text{Door Glass Panel Width} + 3/8''$$



4 Insert a small amount of silicone into each hole. Then insert a plastic anchor **[V]** in each hole (This must be done just before u-channel is installed).

Carefully cut heads the off of the plastic anchors with a razor blade so that there is nothing raised above the surface of the threshold.

Place each u-channel in its correct position and secure each piece with the #8 x 1-1/2" truss head screws **[X]**.



Note: Do not overtighten screws

5 The vertical u-channels [B1/B2] will be different lengths. The shorter one will be 2 3/4" less than the Unit Height (this one **will not** need to be cut). The other vertical u-channel will be 3/4" less than the Unit Height (this one **will** need to be cut).

If no out of level conditions exist, cut the longer u-channel to the same length as the shorter u-channel.

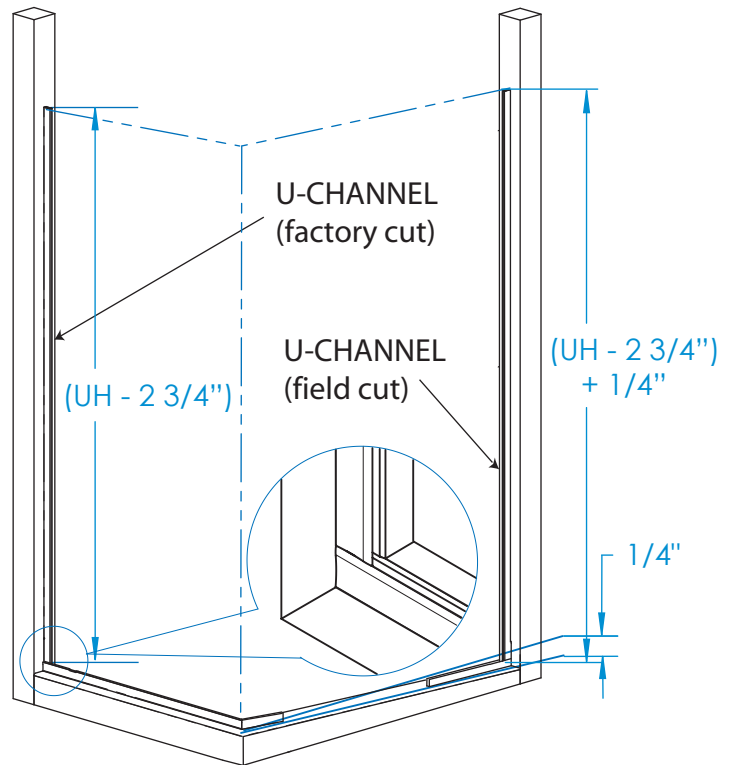
If the base is out of level, cut the longer piece of u-channel to accommodate the out of level condition for the wall on the "lower" side (see illustration).

Next drill three 3/16" diameter holes in the center of each u-channel (center line groove provided for convenience); one hole 2-1/2" from each end u-channel and one hole in the middle of the u-channel.

Place one u-channel in it's correct position over the wall center line marked in step one. With a pencil, carefully mark each hole position on the wall center line. Remove the u-channel and repeat this process for the other wall.

Drill a 3/16" diameter hole along the wall center line at the marked locations.

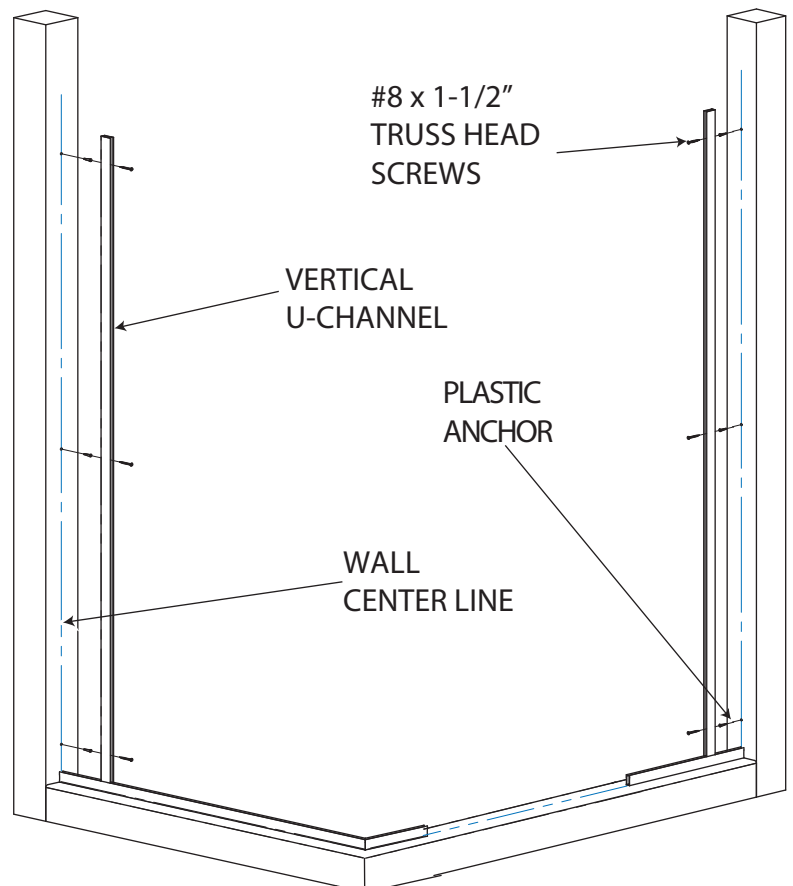
****THRESHOLD OUT OF LEVEL EXAMPLE. **
FOR REFERENCE ONLY.**



6 Insert a plastic anchor into each hole. Carefully cut heads off of the plastic anchors with a razor blade.

Place each vertical u-channel against its' proper wall and secure each piece of u-channel with the #8 x 1-1/2" truss head screws.

NOTE: Do not overtighten screws.

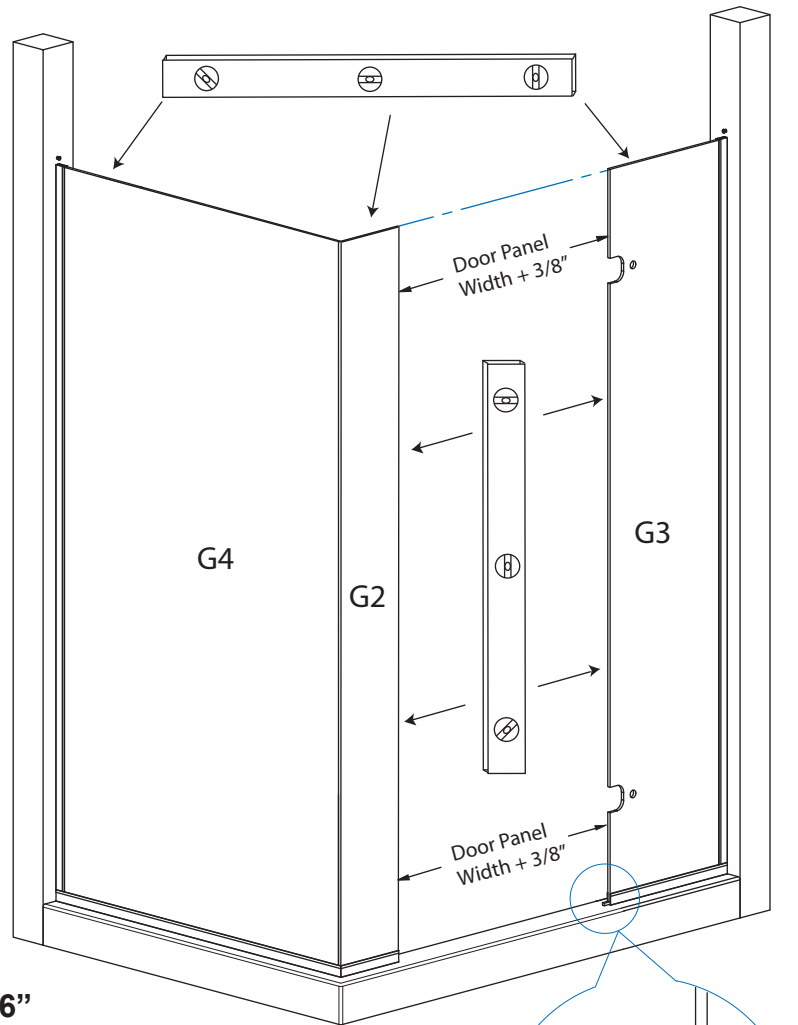


7 Place setting wedges [Y2] at the open ends of the u-channels at the door opening and place 1/4" setting blocks [Y1] as shown or approximately every 18". **DO NOT** place setting blocks over screw heads.

Using suction cups, carefully set the return panel [G4] into place. The return panel should be positioned to create the overlap shown below. Use some setting block(s) to make the exposed edges of the glass level and plumb.

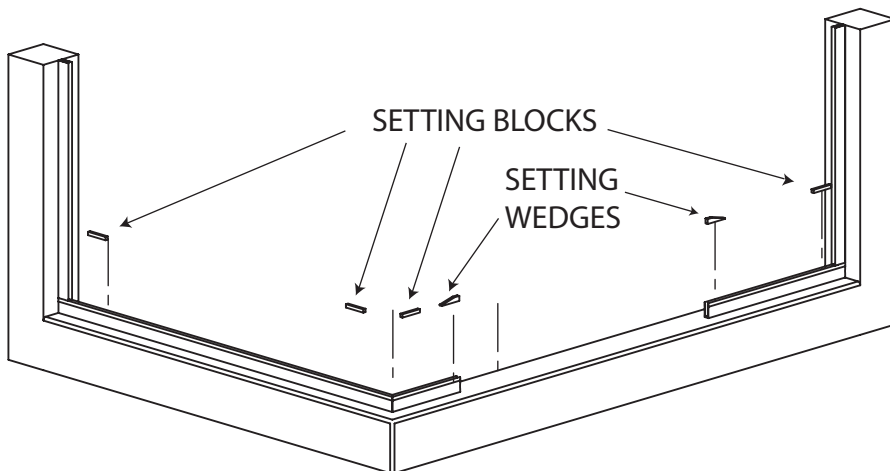
Next, using suction cups, set the strike and hinge panels [G2/G3] into place. Use setting block(s) and setting wedge(s) to make the exposed edges of the glass level and plumb.

**Different sized setting blocks may be required depending on level conditions. Various size setting blocks are provided and can be used in various combinations (stacked) to obtain desired results.

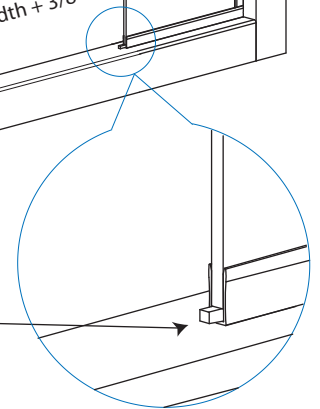


NOTE: The glass should be approximately 1/16" lower than the top of the wall u-channels.

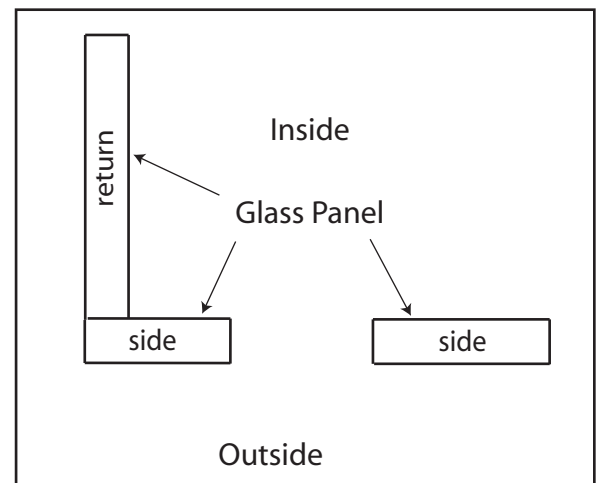
Tip: Strap masking tape around the corner of panels [G2/G4] to temporarily hold glass in position.



Cut off any access setting wedge



Top View of Overlap



8 Cut the front header [A1] (door side) and return header [A2] to the appropriate size(s) using the calculations below. Cuts are to be made on the straight side of the header, as the miter side is pre-cut.

**All cutting lengths are from flat to long point of miter.

Front Header = Front Width + 7/16"

Note: Front Width is measured from the side wall, at the top of the unit, to the corner of the furthest glass panel.

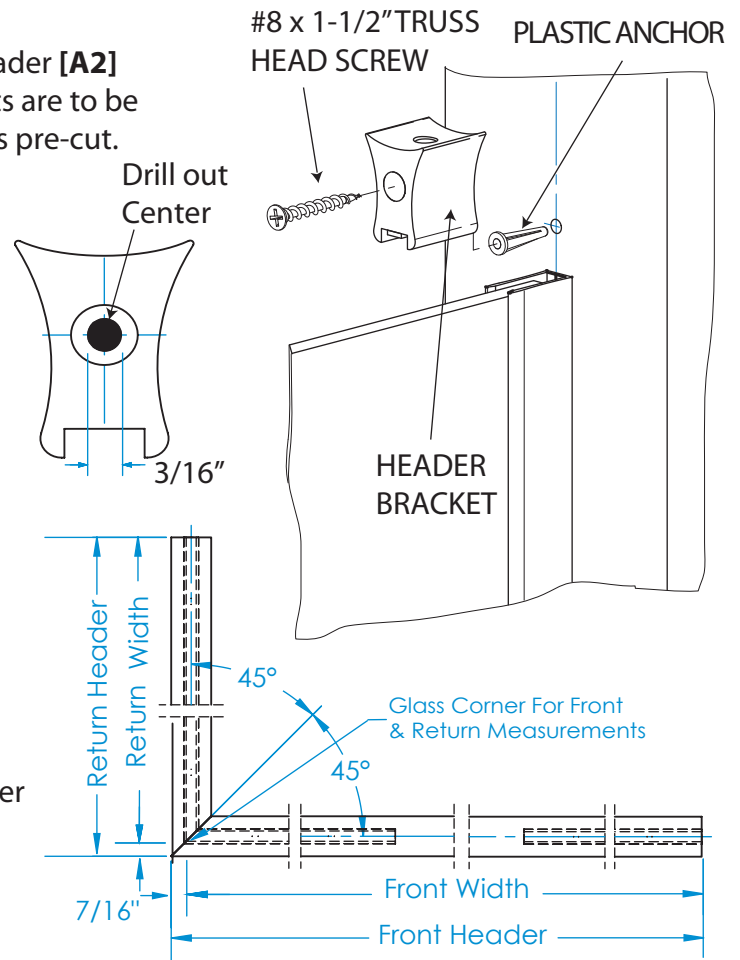
Return Header = Return Width + 7/16"

Note: Return Width is measured from the back wall, at the top of the unit, to the corner of the front panel, return side (front return panel overlaps return panel).

Insert plastic anchors into the holes that were drilled into each wall in step 2. Then carefully cut heads off the plastic anchors with a razor knife.

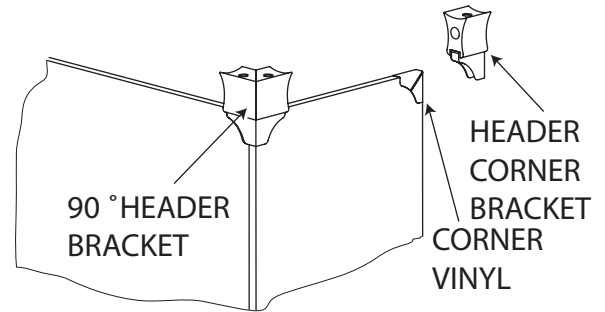
Take both wall header brackets [O] and drill a 3/16" diameter hole completely through the back of each bracket, in the center, using the threaded hole as a guide.

Attach the header brackets to the walls using the #8 x 1 1/2" truss head screws.



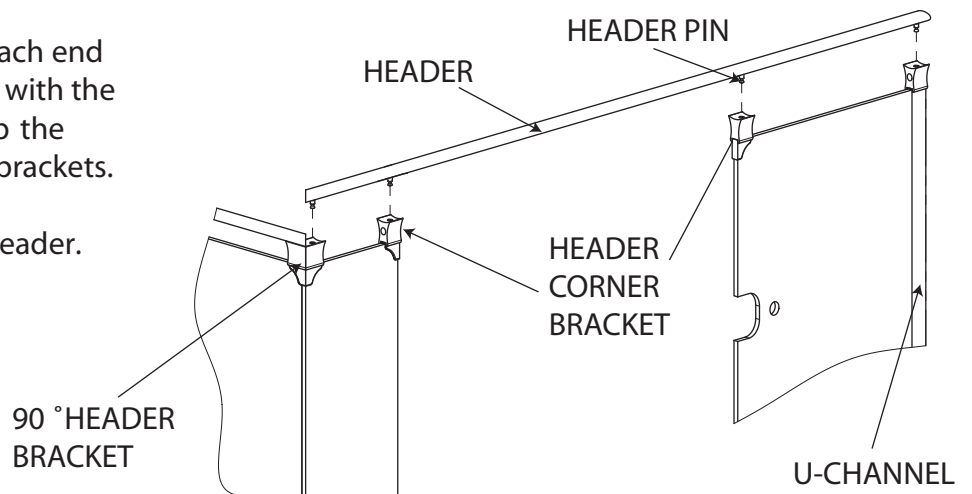
9 Temporarily place the 90° header bracket over the corner to ensure proper alignment of panels. Be sure that the glass fits into the bracket correctly. Remove the 90° bracket. Apply a piece of corner vinyl [U] to each of the four exposed glass corners. Now, tightly fit the header brackets over the vinyls.

NOTE: If there is any exposed vinyl after installing the brackets, carefully trim it off with a razor blade.



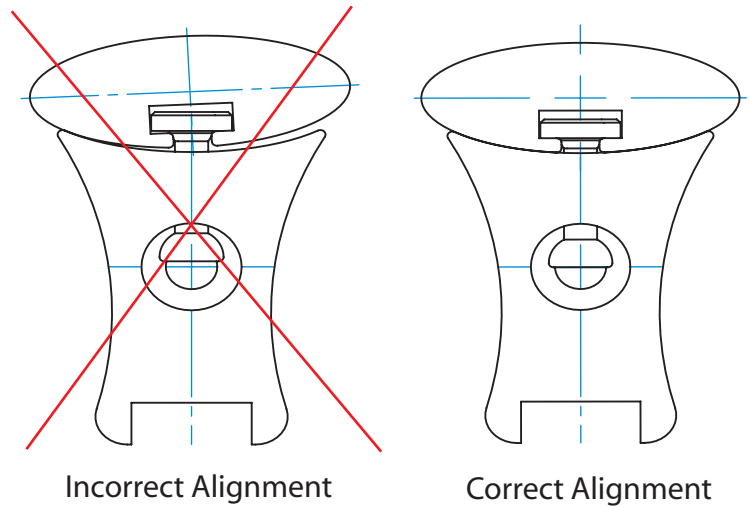
10 Slide one header pin [S] into each end of the return header. Line up the pins with the appropriate header bracket and drop the header pins into each of the header brackets.

Repeat the above steps for the front header.



11 When aligning the header pins with the header, make sure the header is seated flush against the header brackets. Improper alignment will prevent fasteners from tightening easily in the following step

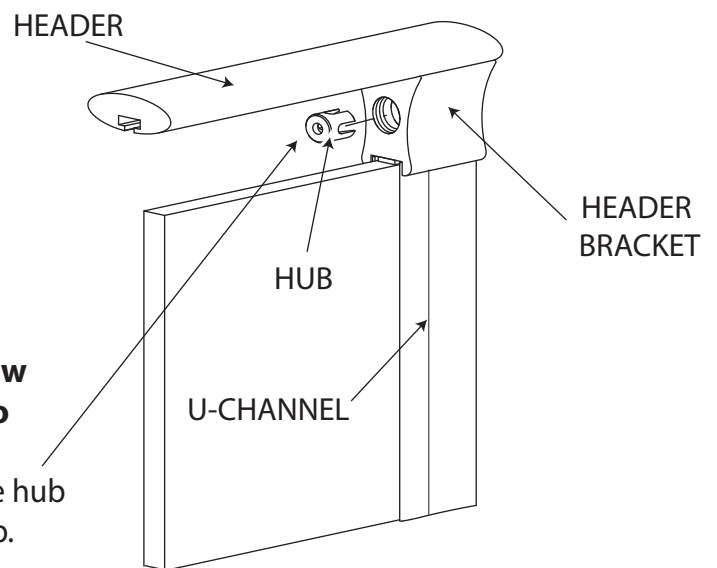
****NOTE: Panels can move when installing the corner brackets. Be sure to verify the door opening before inserting the hubs and tightening the header to the brackets.**



12 Place one of the four hubs [R] into each of the header brackets. An open section between the hub forks **MUST BE** facing up to slide around the pin. Be sure that the header is seated properly before tightening. If the hub does not “bite”, it may be necessary to push it deeper in the hole with a screw driver to expose the threads for the next step.

**** NOTE: To remove hub, use the #10-24 x 3/4 screw from the parts pak. Thread the screw into the center of the hub until the hub releases.**

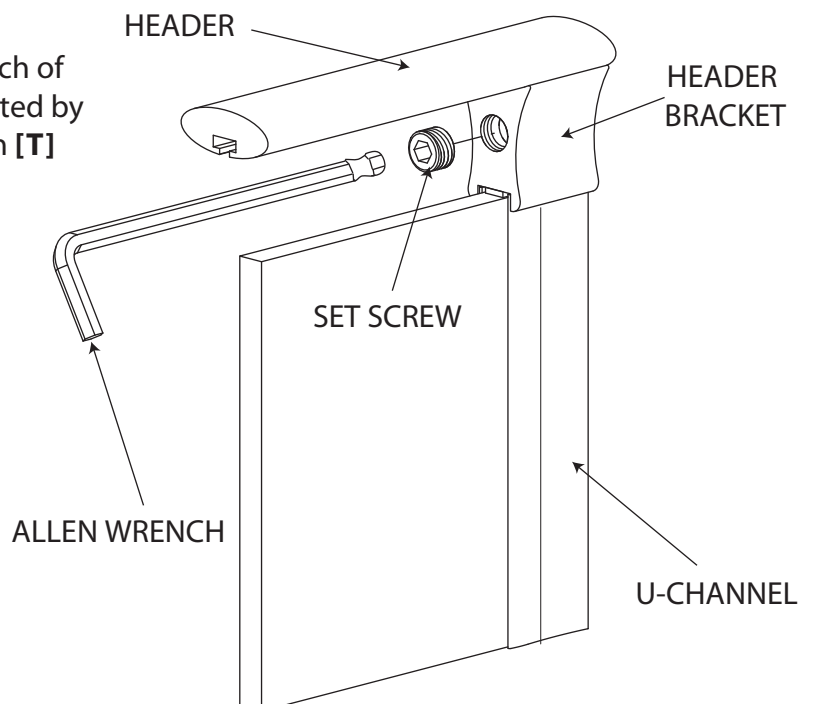
The space between the hub forks must be facing up.



13 Next insert one of the set screws [Q] into each of the header brackets. The set screws should be started by hand before being tightened with the Allen wrench [T] provided.

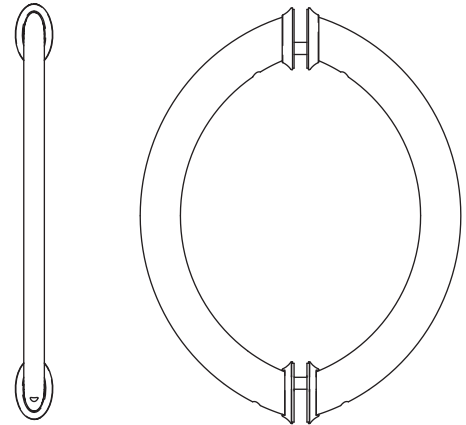
DO NOT install hole plugs [P] at this time.

****Note: Carefully tighten with the ball end of the wrench as to not scratch the panel glass.**



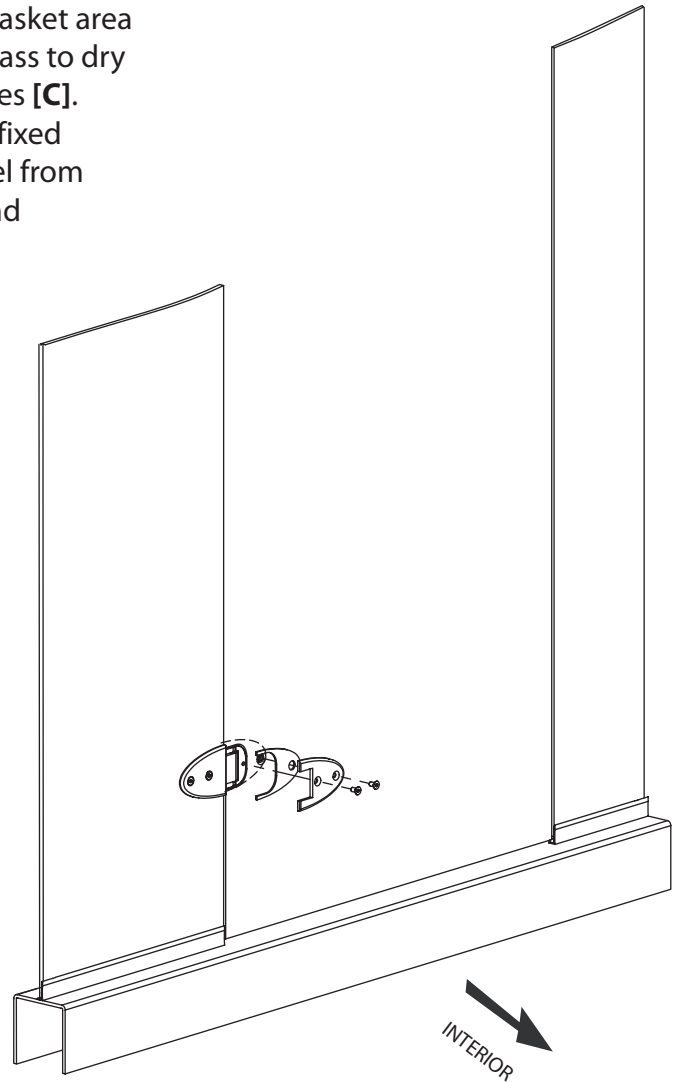
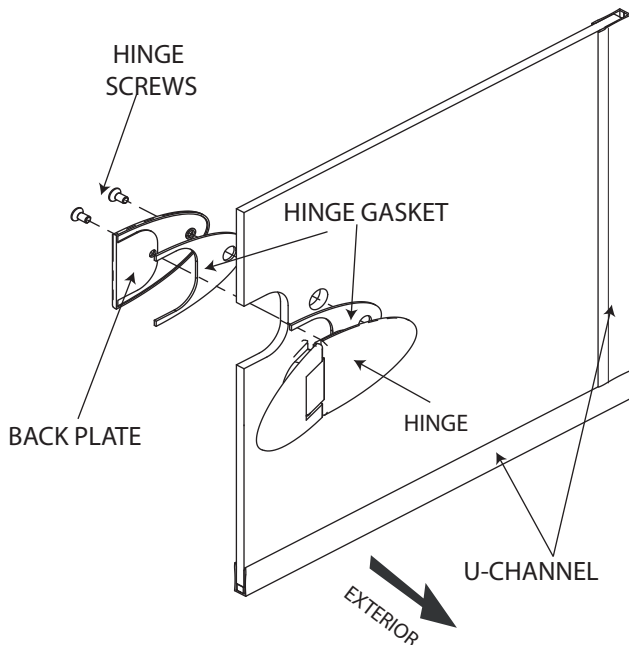
14 Place handle on door prior to door installation. See "8" Door Pull Assembly Instruction" on Pg 15 of this instruction manual.

Do not disassemble or install handle prior to reading the "8" Door Pull Assembly Instruction"



15 Using the alcohol pads [W], wipe the hinge notch gasket area on both sides of the hinge panel and the door. Allow the glass to dry before continuing. Remove the back plates from both hinges [C]. Place a gasket on the fixed side of the hinge and place the fixed side of the hinge through the cutout of the stationary panel from the outside. Next, place another gasket against the glass and attach the backplate with the screw provided.

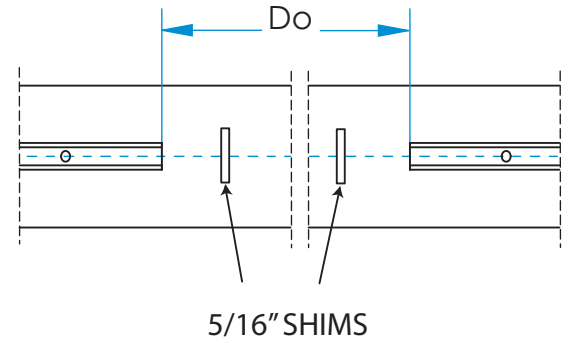
Repeat these steps for the other hinge and open both hinges outward.



16 Create two 5/16" shims using the provided setting blocks. Place these shims on the threshold across the center line of the door opening. (see illustration)

When installing the door, one person should be inside the enclosure with two 1/16" setting blocks, two back plates, and four back plate screws while the other person lifts and supports the door from the outside.

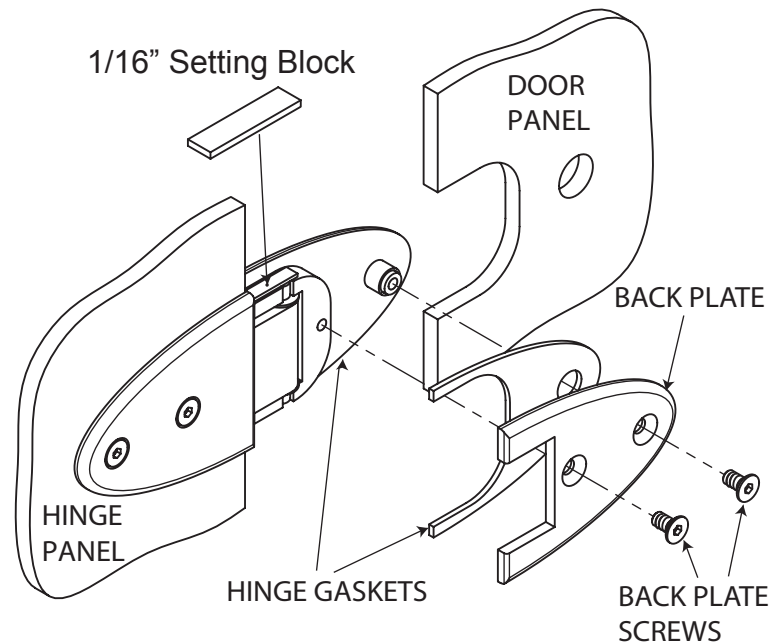
Carefully set the door panel onto the shims and work the door into the opening, aligning it with the hinge and strike panels.



17 From the outside, place a gasket on the inner face of each hinge and close the hinges. They should fit inside the cut outs in the door panel.

Starting with the top hinge, place a 1/16" setting block on the inside top of the hinge. (see illustration) Place a gasket against the glass and press the back plate against the gasket. Next, insert the back plate screws and thread by hand, as adjustment may be necessary. Repeat the above steps for the other hinge.

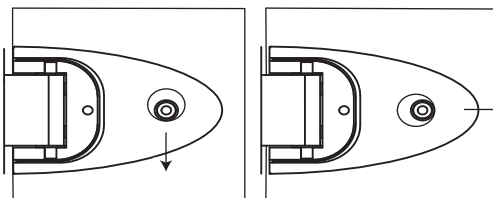
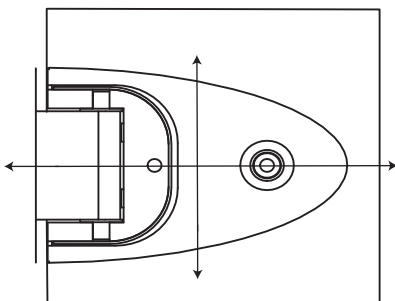
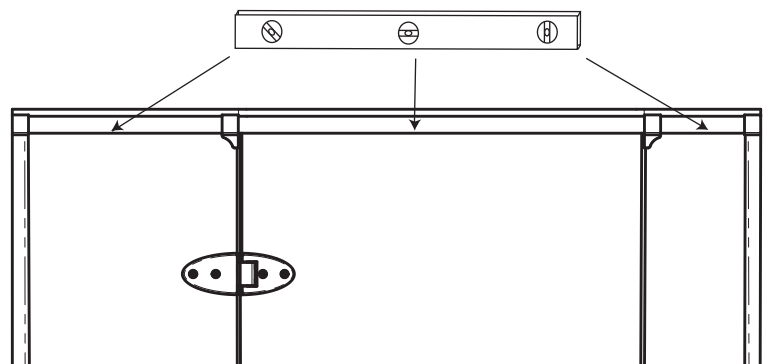
Verify the alignment of the door and panels at the top and both sides, use provided shims if necessary. Glass panels should be flush with each other and there should be a 3/16" gap on both sides of the door and a 5/16" gap between the door and the threshold at the highest point. Also, verify that the hinges are level.



Tighten the back plate screws with the wrench provided.

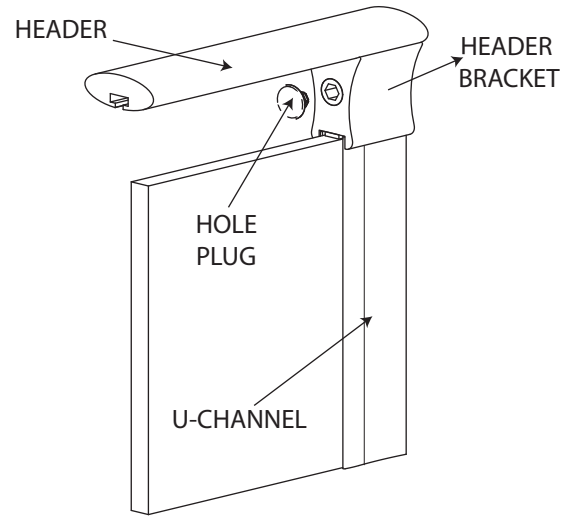
Remove the shims from the bottom of the door. Carefully open and close the door and check for interference. Loosen screws and adjust as necessary.

Note: The screws may begin to have a "creaking" sound when fully tightened.



18 Press the hole plugs [P] into the set screws of the header brackets.

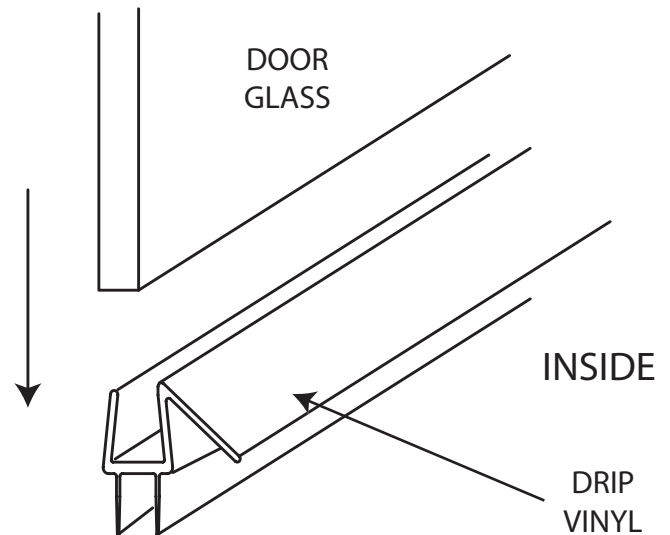
NOTE: DO NOT install the plugs until completely satisfied with the glass position.



19 Place the drip vinyl [D] onto the bottom of the door panel. Line it up on the hinge side of the door and cut it off flush with the strike edge of the door.

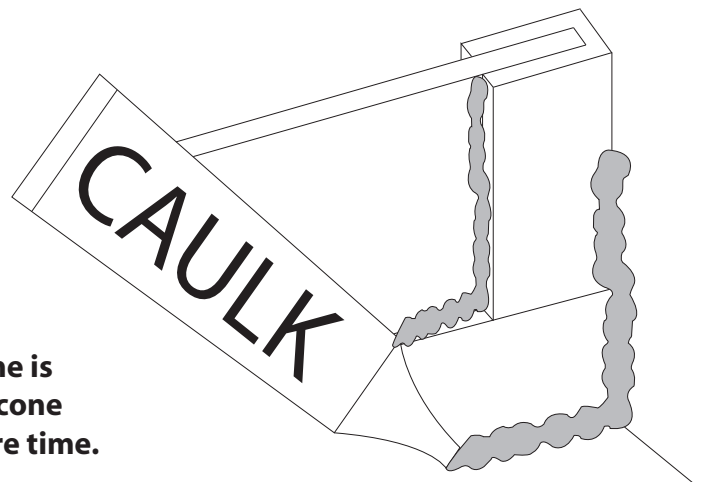
NOTE: The sweep may be pulled up or down on the glass to adjust how much of the sweep contacts the threshold.

TIP: Run a small bead of silicone between the drip vinyl and the glass to secure the vinyl sweep and prevent water from collecting inside the sweep if adjusted.

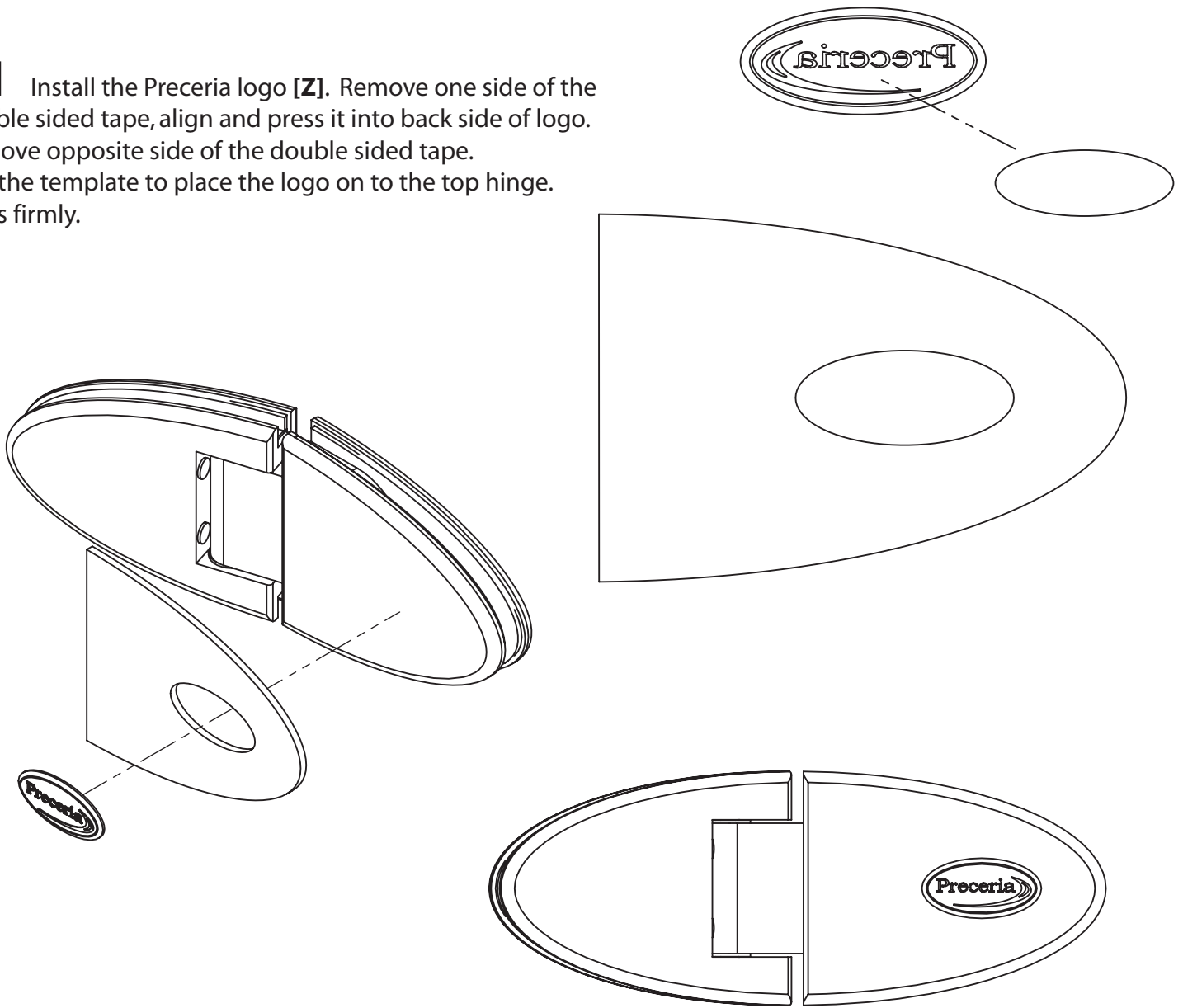


20 On the interior face of the glass, place a strip of low tack tape on the glass about 1/8" to 3/16" away from edge of the u-channel both vertically and horizontally. Run a small bead of silicone along this edge. Next, on the interior, run a bead of silicone between the u-channel and the threshold and also between the u-channel and the wall. After completing, remove the tape before silicone sets.

NOTE: DO NOT USE the shower until the silicone is completely cured. Check the tube of silicone for the manufacturer recommended cure time. (typically 24 - 48 hours)



21 Install the Preceria logo [Z]. Remove one side of the double sided tape, align and press it into back side of logo. Remove opposite side of the double sided tape. Use the template to place the logo on to the top hinge. Press firmly.



NOTE: Installation of this logo will allow Basco personnel to identify this product if a warranty issue occurs.

8" Door Pull Assembly Instructions

The 8" back to back pull contains 6 component(s), which are as follows: two handles, four handle plates, four handle gaskets, four set screws, two handle pins and two bushings. These components will come partially assembled, and ready to install. **DO NOT** disassemble handle when removing from box. After removing the handle from box, gently pull handle a part from the middle and follow the instructions below.

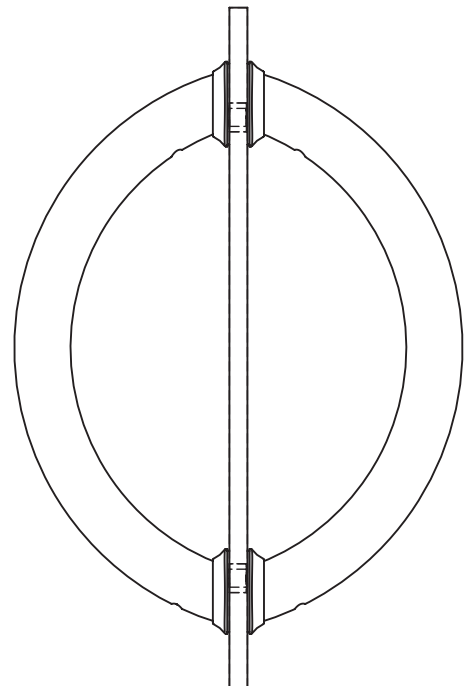
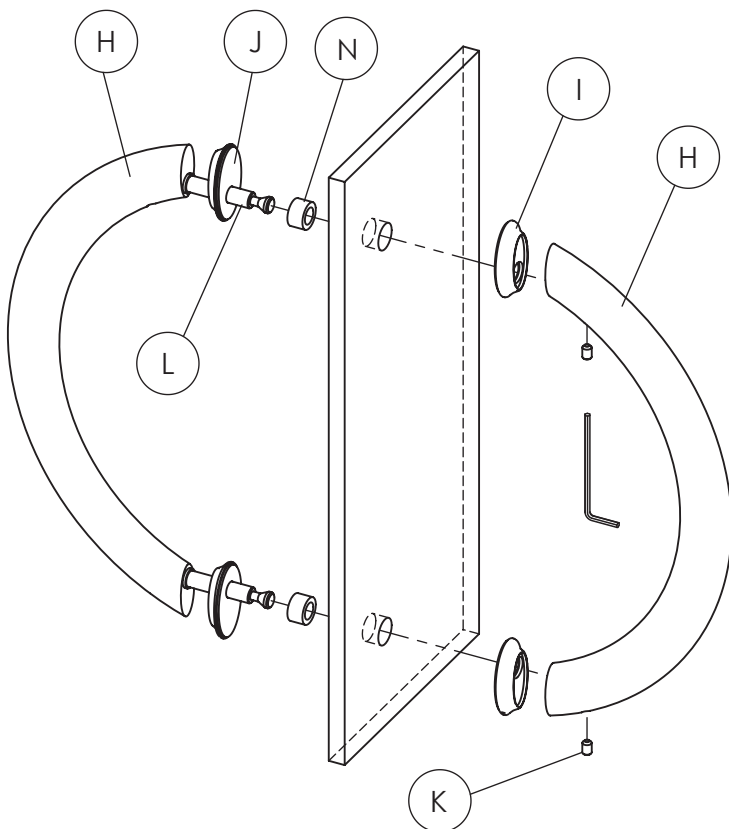
Step 1: Place one handle plate [I] and one gasket over each handle pin.

Step 2: Slide the handle pins through the glass. The mounting holes for the set screws should face downward. After sliding the handle pins through the glass, place a bushing and another handle plate on each of the handle pins.

Step 3: Place the other handle over the handle pins, with mounting hole facing downward. Push the handles slightly together and tighten the set screws (handle without pins) with the Allen wrench.

Handle Parts

| | | |
|---|---------------|---|
| H | Handle | 2 |
| I | Handle Plate | 4 |
| J | Handle Gasket | 4 |
| K | Set Screw | 4 |
| L | Handle Pin | 2 |
| N | Bushing | 2 |



Notes:

Make sure both handles are seated in their corresponding handle plates before tightening set screws.

When assembling and removing door pull, hold handle from at the center and push or pull with equal force on both sides.

If removing door pull, loosen all four set screws and gently pull apart from the center of each handle.

Appendix - A Notched Panel

If your unit has been purchased with a notched panel option, two additional pre-cut pieces of u-channel will be provided. These two pieces of u-channel will be mitered and cut to size based on the opening dimensions provided with your order. Please follow the same instructions provided in step (3 thru 6), for mounting threshold and wall u-channels, to mount the notched panel u-channels. Below are illustrations to clarify the mounting orientations.

