

RODA BY BASCO

922 RODA

PIVOT HINGES

FRAMELESS DOOR



INSTALLATION INSTRUCTIONS



CELESTA
DRESDEN
TRESOR

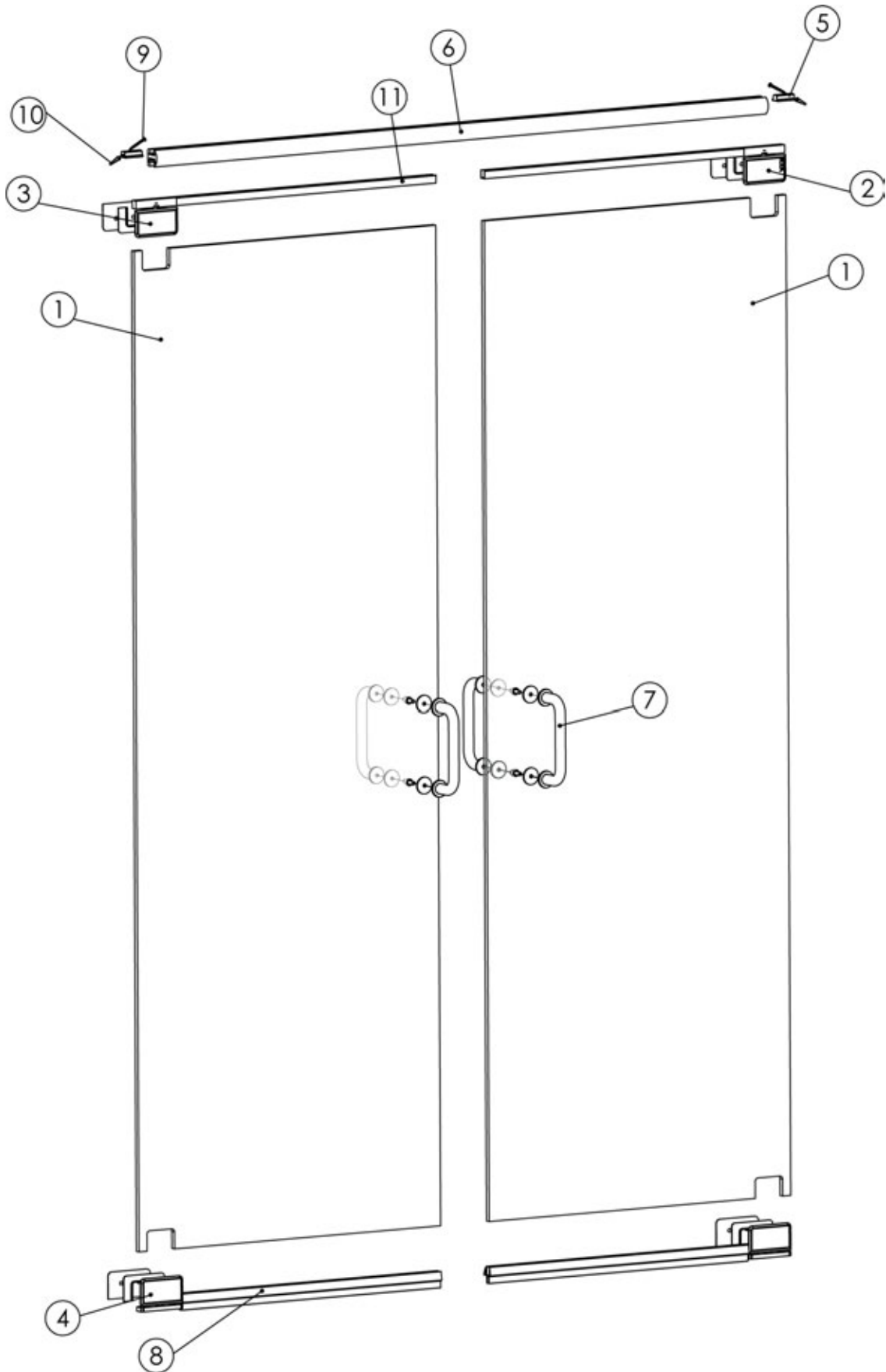
922 Roda Parts List with pivot hinges

ITEM NO.	DESCRIPTION	QTY.
1	GLASS DOOR	2
2	RODA ETCHED PIVOT HINGE	1
3	TOP PIVOT HINGE	1
4	BOTTOM PIVOT HINGE	2
5	WALL BRACKET	2
6	HEADER	1
7	PULL	2
8	VINYL BOTTOM SWEEP	2
9	#8 x 1 1/2 TRUSS HEAD SCREW	2
10	PLASTIC WALL ANCHOR	2
11	HEADER FILLER	2

*Quantities may vary

**Quantities double for 922 where applicable

922 Roda Exploded View with wall pivot hinges



Tools:

To install your Roda Shower Enclosure, you will need the following:

- Pencil
- Low Tack Masking Tape
- Tape Measure
- 4' & 6' Levels
- #2 Phillips Screwdriver
- Drill
- 3/16" - 1/4" Drill Bit
- Hack Saw
- Caulk (Clear Silicone Recommended)
- Caulk Gun
- Suction Cups
- Center Punch (if drilling into tile)
- Files

Installation Notes:

This unit is best installed by two people.

Cover the drain with tape prior to installation to prevent loss of small parts.

Unpack your unit carefully and inspect for freight damage. Lay out and identify all parts using the instruction sheet as a reference. Before discarding the carton, check to see that no small hardware parts have fallen to the bottom of the box. If any parts are damaged or missing, refer to the description noted in the instructions when contacting your dealer for replacements.

Handle the glass panels carefully and protect the edges. Safety tempered glass is very resistant to breakage, but the sharp corners of the panels can damage tile and flooring surfaces. Also, the glass can break if unequal pressure is applied during installation.

Please wear safety glasses whenever drilling or cutting. When drilling holes in ceramic tile or marble, use a center punch and hammer to carefully break the glazed surface to prevent skidding when drilling.

Maintenance:

Two primary materials are used to manufacture your new Basco shower enclosure: tempered glass and anodized aluminum. To assure a long lasting finish on the enclosure, wipe it down with a towel after each use.

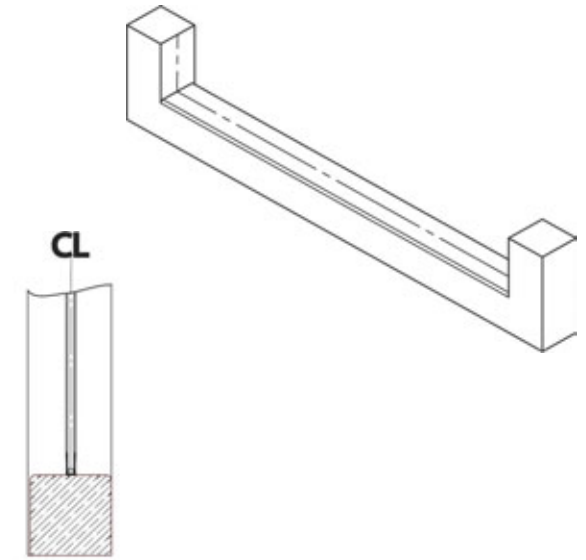
For occasional, more concentrated cleaning efforts, we find that **Lysol Non-Abrasive Bathroom Cleaner** works extremely well. Be sure that any over spray falling on the aluminum frame is rinsed thoroughly and dried. Many over-the-counter cleaners, if applied to the aluminum and left on, will harm the metal finish and cause permanent damage even though their directions indicate safe use on shower doors. Never use a scouring agent to clean the aluminum.

NOTE: Tempered glass cannot be cut.

If a continuous unit centerline does not exist from the original measuring process, it will be necessary to create one. Referencing the Measuring Guide included with this unit, lightly mark a continuous unit centerline on the threshold.

Next, mark a continuous unit centerline up each wall, starting where the threshold centerline meets the wall. Use a level to ensure the wall centerline is plumb and straight. The wall centerlines should be a minimum of 74" high from the threshold.

Note: Centerline (CL) is a term used to describe the center or mid-point of the unit. The position of the unit centerline can be located anywhere in the width of the threshold, as long as adequate structure exists beneath the centerline for fastening and the outer edges of the unit will not overhang the threshold. The most common unit centerline position is the middle of the threshold.



Unit Cross Section

Note: It is extremely important the unit centerline be continuous and straight to ensure proper installation.

Use a level to check the threshold for out of level conditions if the original measured conditions are not available. If no conditions exist, measure up each wall centerline a distance of Unit Height from the threshold, and clearly mark each location.

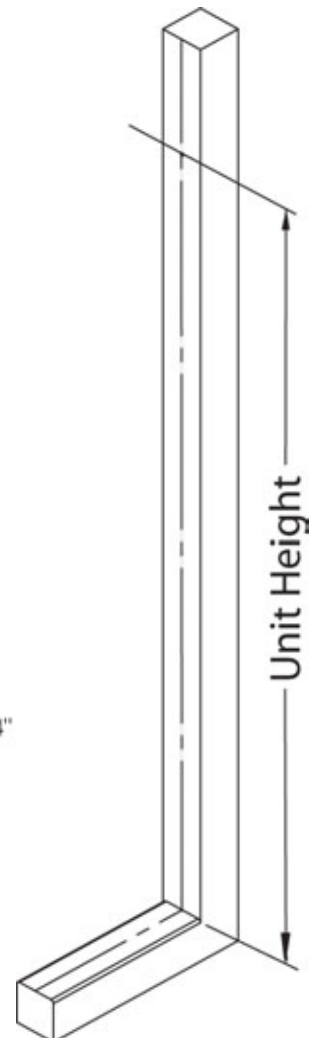
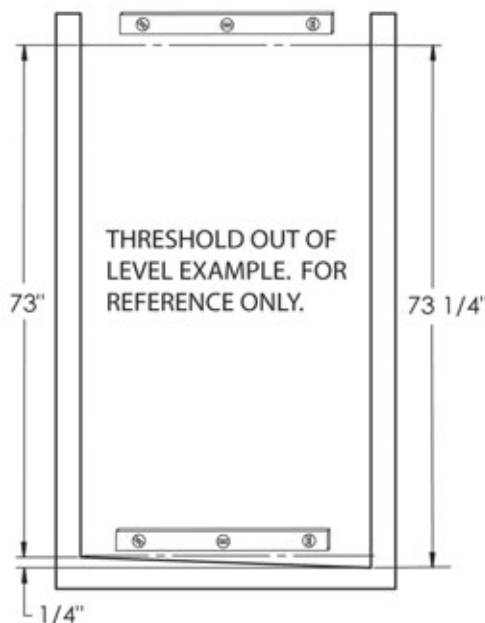
Note: The Unit Height is the height of the shower door unit to the top of the header.

If out of level conditions exist; measure up the "high" side wall centerline a distance of Unit Height from the threshold and clearly mark this location. For the wall centerline distance on the "low" side of the threshold, use a level to determine the threshold out of level distance and add this value to Unit Height. Measure this summed distance up the "low" side wall centerline from the threshold and clearly mark this location.

(See illustration for example.)

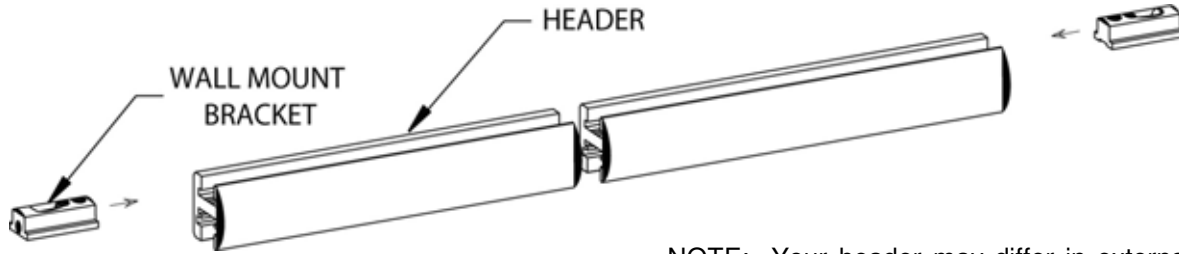
****IMPORTANT****

Keep both marks in-line to ensure the header mounts level.



Check the Header for proper length in the opening. The Header should be the opening size minus 1/16". In the event there is a measurement discrepancy, contact Basco Technical Support.

Install the Wall Mount Brackets into the Header. Be sure the hole of the bracket is facing outward and it is flush with the end of the Header. Tighten the Allen head set screws to lock them in place.

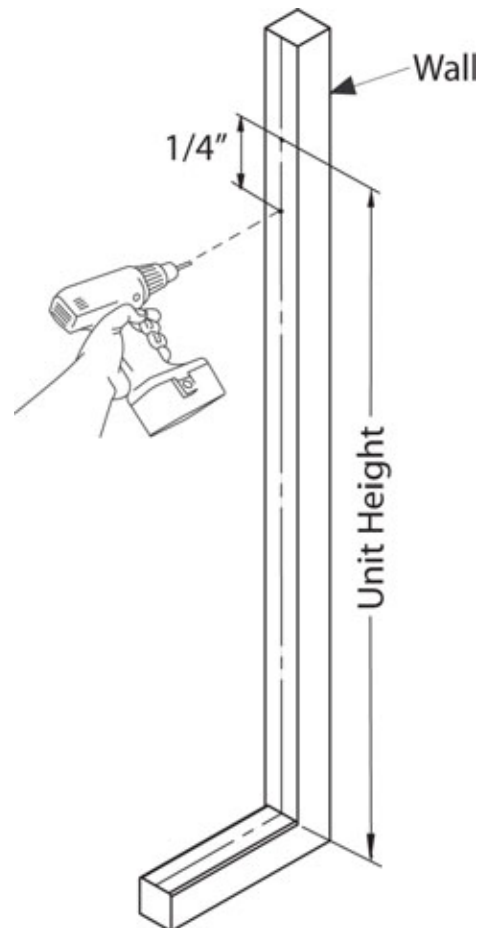


NOTE: Your header may differ in external shape than what's shown. However, internal geometry and installation procedures are the same.

On each wall, make a mark on the wall centerline 1/4" down from the Unit Height marks.

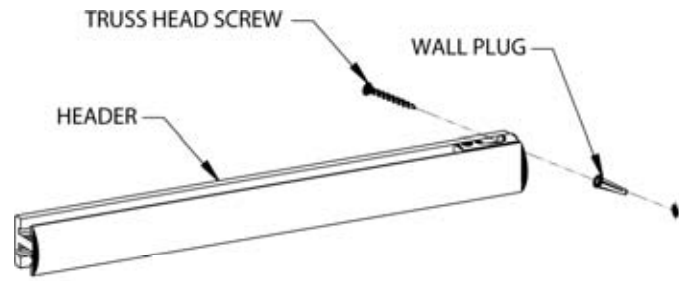
Holding the drill at a downward angle drill a 3/16" hole approximately 1 1/2" deep into the wall at the previously marked locations.

Be sure that the angle is close to the downward angle of the hole in the Mounting Bracket.



Insert a Wall Anchor into each hole at the drilled angle.

Carefully cut the heads off the Wall Anchors before continuing.

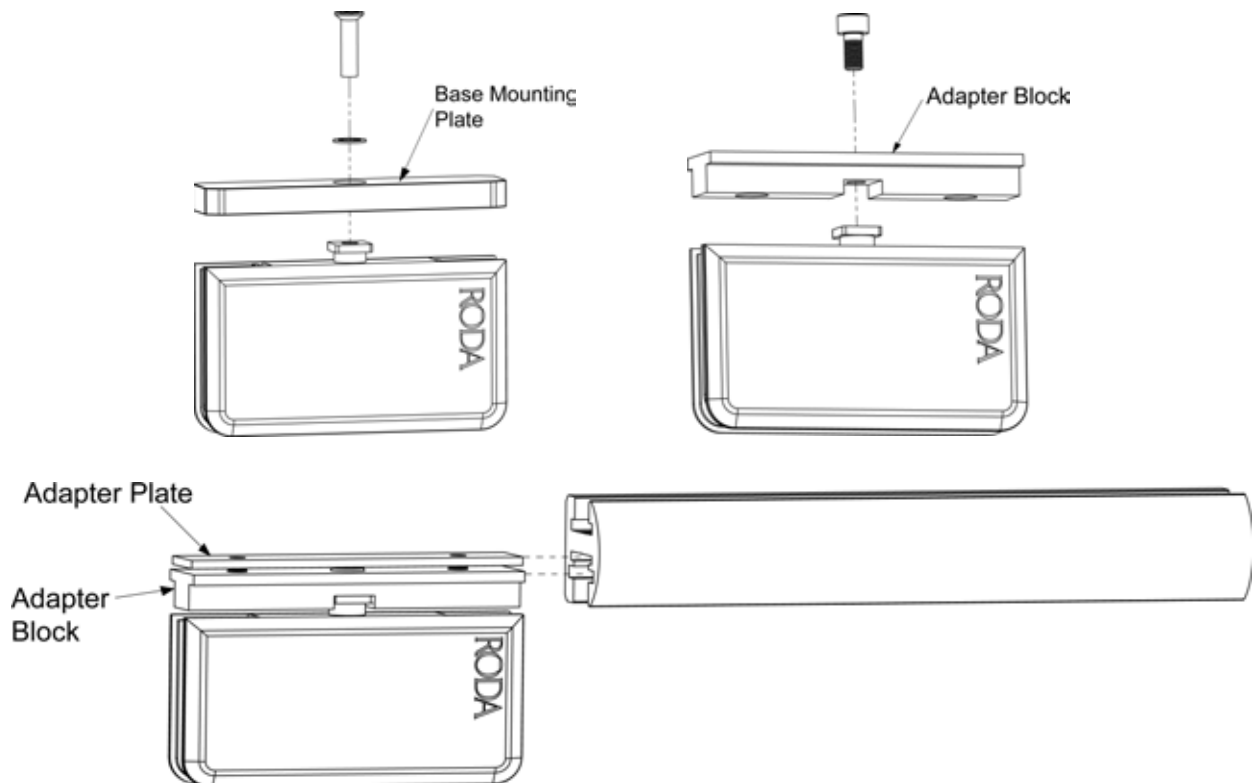


Remove both Top Pivot Hinges (the right one has the logo) from the box. Remove the back plate and gaskets from the Top Pivot Hinges and set aside.

Remove the Adapter Plate from both Adapter Blocks. Then remove the Base Mounting Plate from the hinges and install the Adapter Block in its place.

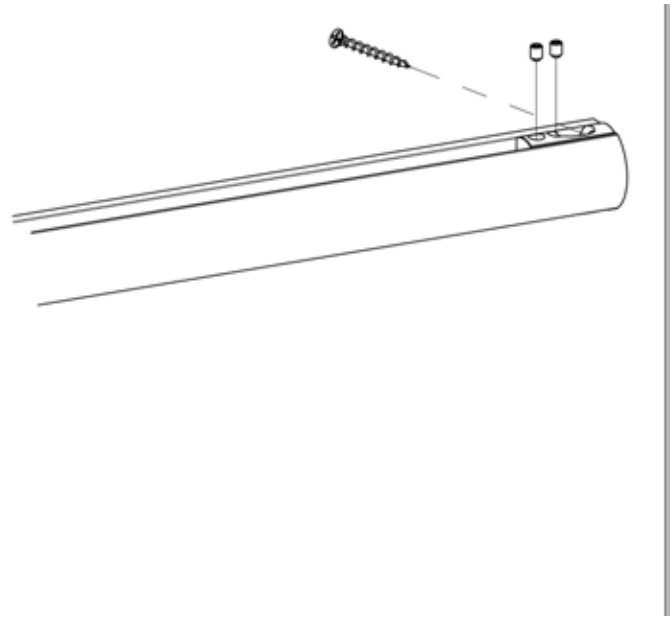
Slide the Top Pivot Hinges and the Adapter Plates into the bottom half of the header with the logo side facing out of the shower. Line up the Adapter block with the Adapter plate and loosely screw into together so the hinges can still slide on the header.

NOTE: Do this with each top pivot hinge.
Put the hinge with the logo on the right side of the header and the other one on the left.

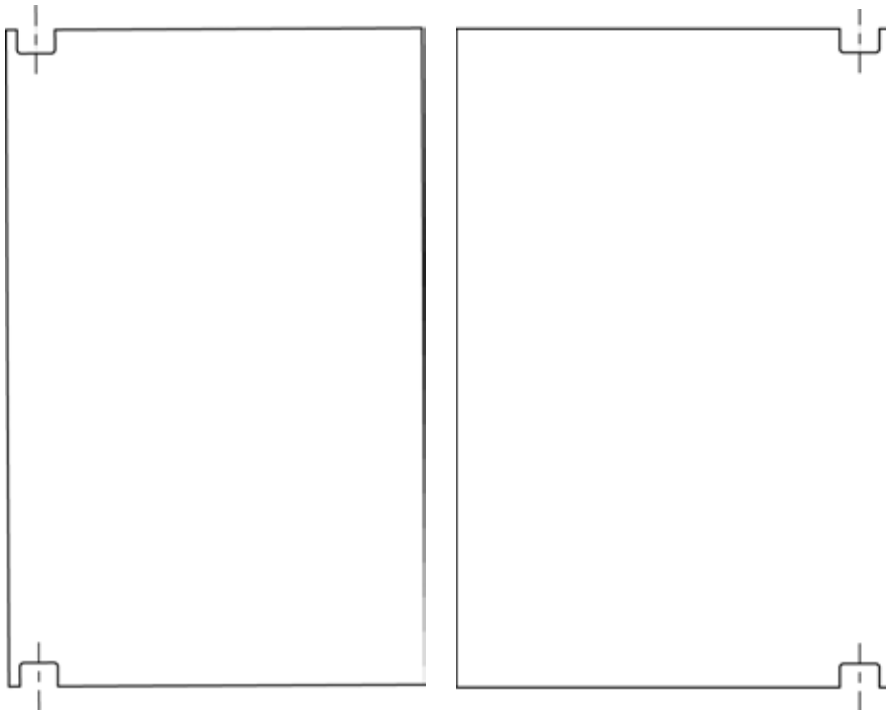


Install the Header complete with the Top Pivot Hinge using a Truss Head Screw on each end.

Tighten the Wall Mount set screws to secure the Header in place.

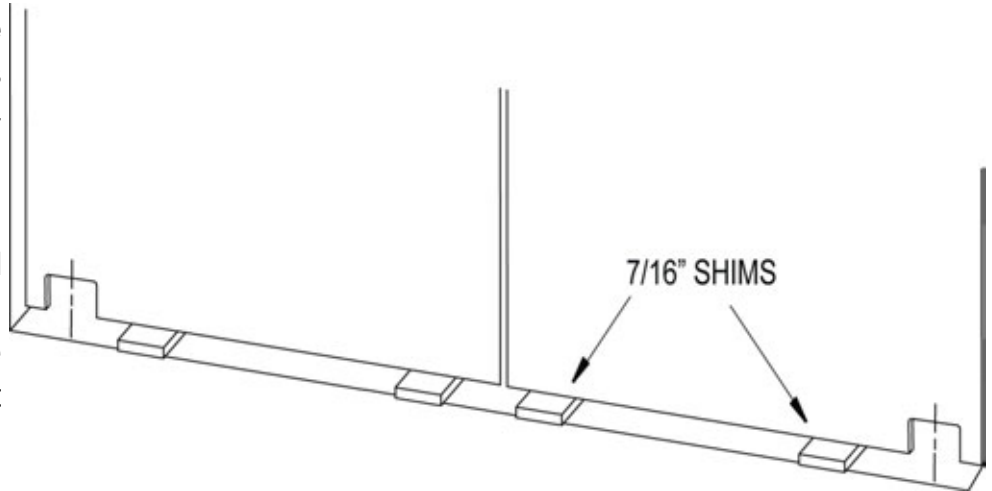


Place a mark on the Glass at the center of each hinge cut out.



Place two 7/16" shims on the curb or threshold. These shims must remain in place throughout the installation process.

Next, position one person on each side of the door panel and carefully place one door into the opening w/ the top hinge notch aligning w/ the Top Pivot Hinge.



Install the back plate on the Top Pivot Hinge and temporarily tighten the provided screws.

Align the door with the opening centerline. Slide the Top Pivot Hinge in the Header as necessary to adjust the upper position of the door.

Place a 3/16" surround clearance on each side of the door to maintain a 3/16" gap all the way around.

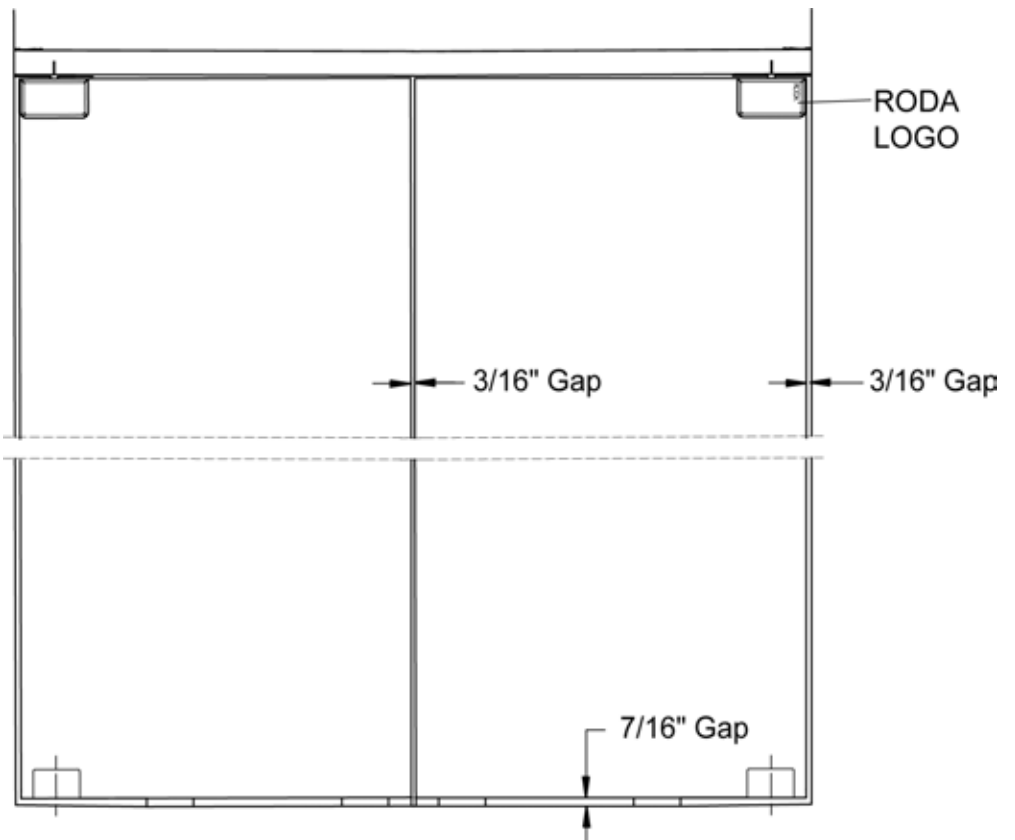
Use a 6' level to plumb the door. The door must be plumb to allow the hinge pivot pins to align to each other.

Repeat this procedure for the second door.

NOTE: Each door should be positioned at this point before continuing. There should be a 3/16" gap between the doors, and the doors should be in-line w/ each other.

Finally, with each door panel aligned and plumb, mark the center of the bottom hinge cut out on the threshold. Mark the center of the Top Mount Hinge Adapter Block on the Header.

Use a #3 screwdriver to remove the back plate from the Top Pivot Hinges. Remove the door glass panel from the opening.



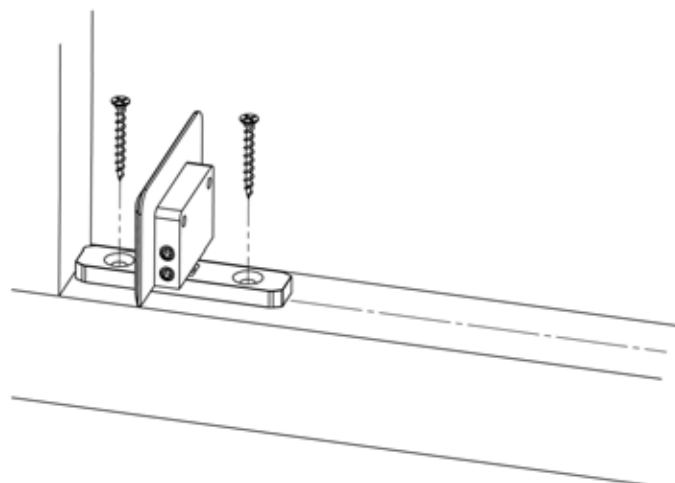
Note: Use level to mark centerlines on header on threshold .

Rotate the Bottom Pivot Hinge 90 degrees (open). Center the hinge using both the unit Centerline mark on the threshold and the hinge cut out mark. Mark the mounting hole locations onto the threshold.

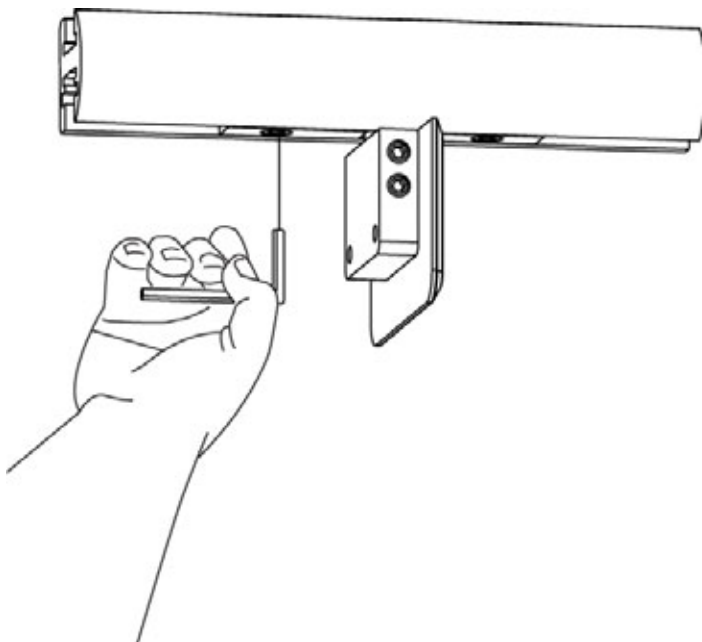
Remove the hinge and drill two 3/16" holes in the threshold approximately 2" deep. Put a small amount of silicone in the hole and insert a Wall Anchor into each hole.

Carefully cut the heads off the Wall Anchors with a razor blade to ensure flush mounting.

Set the Bottom Hinge in place and carefully secure with two #10 x 2" Flathead screws. Leave the hinge in the open position.



Rotate the Top Pivot Hinge 90 degrees (open) and align the Adapter Block with the center line mark made previously. Tighten the Adapter Block mounting screws.



With both hinges open and aligned to each other, use a suction cup to carefully move the Door Glass into the opening over the hinges.

Insert the vinyl Hinge Gaskets on each side of the glass. Use a #3 screwdriver to mount the back plates to the glass.

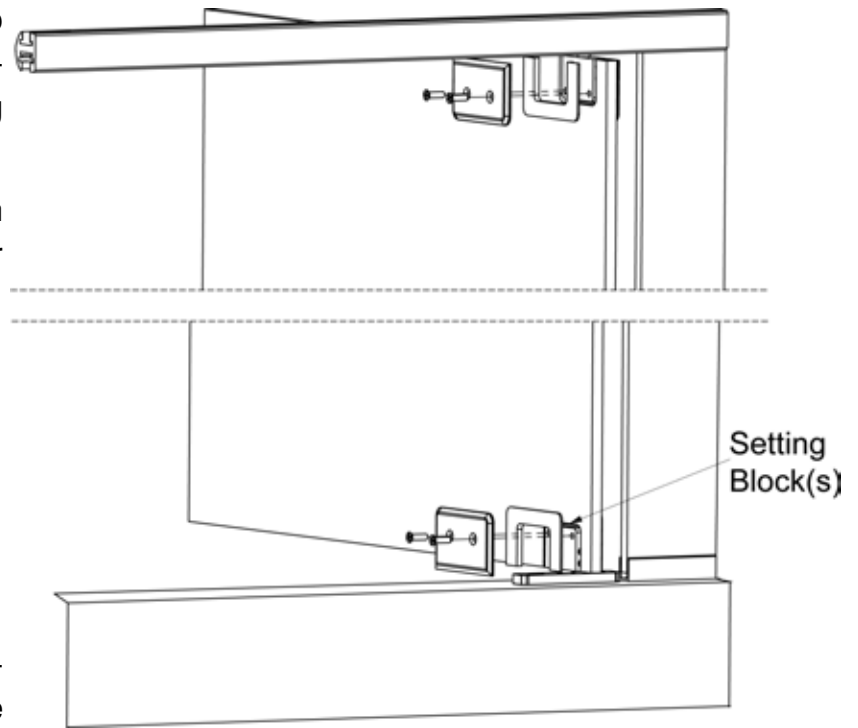
TIP: Use the setting blocks from the hardware strip to fill in the void in between the top of the bottom hinge and the glass. (see illustration)

Align the hinge on the hinge notch cut-out being sure that it is centered and the edge of the plate is even with the edge of the Glass. This will ensure correct pivot pin alignment.

Tighten the screws, alternating so the pressure is evenly applied to the inside cover plate as you tighten the screws. Continue tightening until the screws begin to squeak.

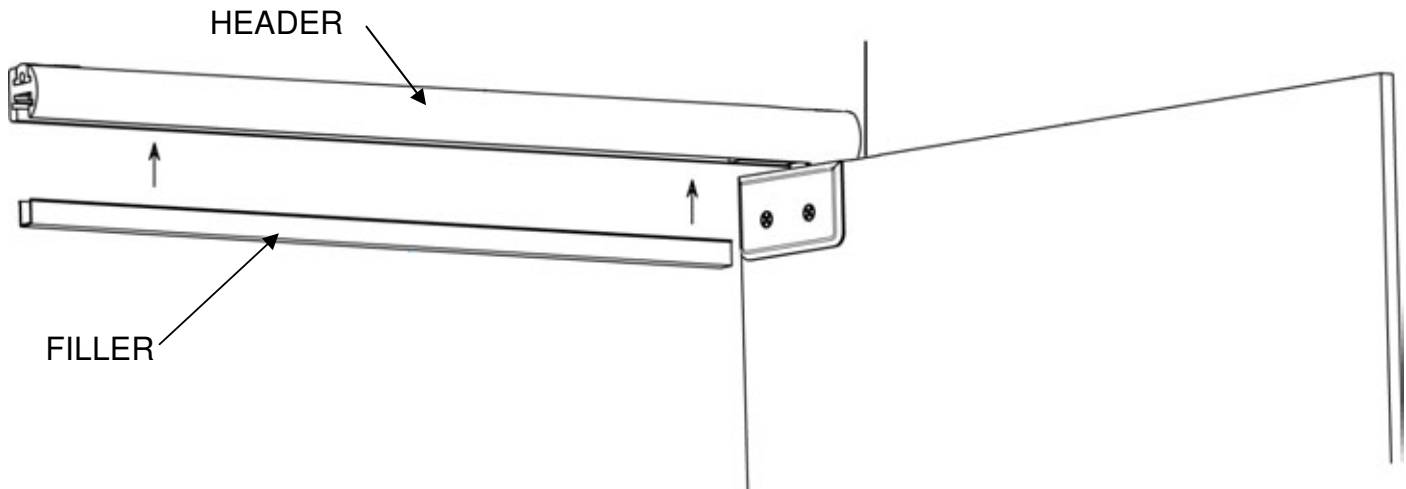
Slowly shut the door and align it on the opening centerline. The gap on each side of the glass should be approximately 3/16".

To adjust the door, loosen the back plates and shift the door left or right to allow a consistent gap.



Measure the distance between the end of the Adapter Block and the wall from the under side of the Header. Cut the Filler to this dimension. Install the Filler in the Header above the Door as shown so the finished edge is facing down.

NOTE: Repeat for opposite door.



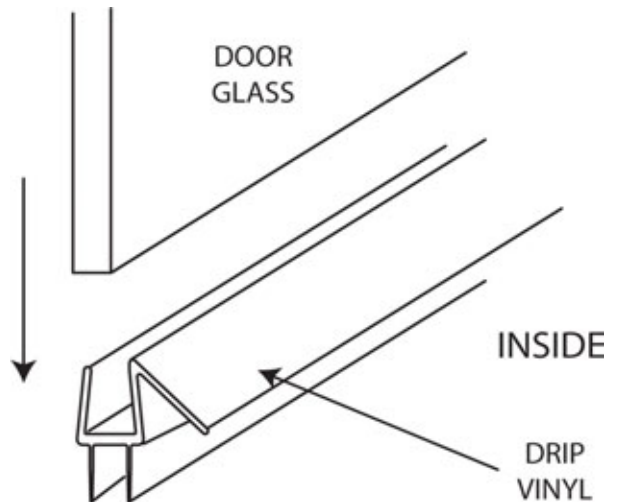
Place the Drip Vinyl onto the bottom of the door panel. Line it up against the side of the bottom hinge and cut it off flush with the strike edge of the door.

NOTE: The sweep may be pulled up or down on the glass to adjust how much of the sweep contacts the threshold

TIP: Round the end of the deflector of the drip vinyl on the handle side of the door as with a file to prevent potential future injuries.

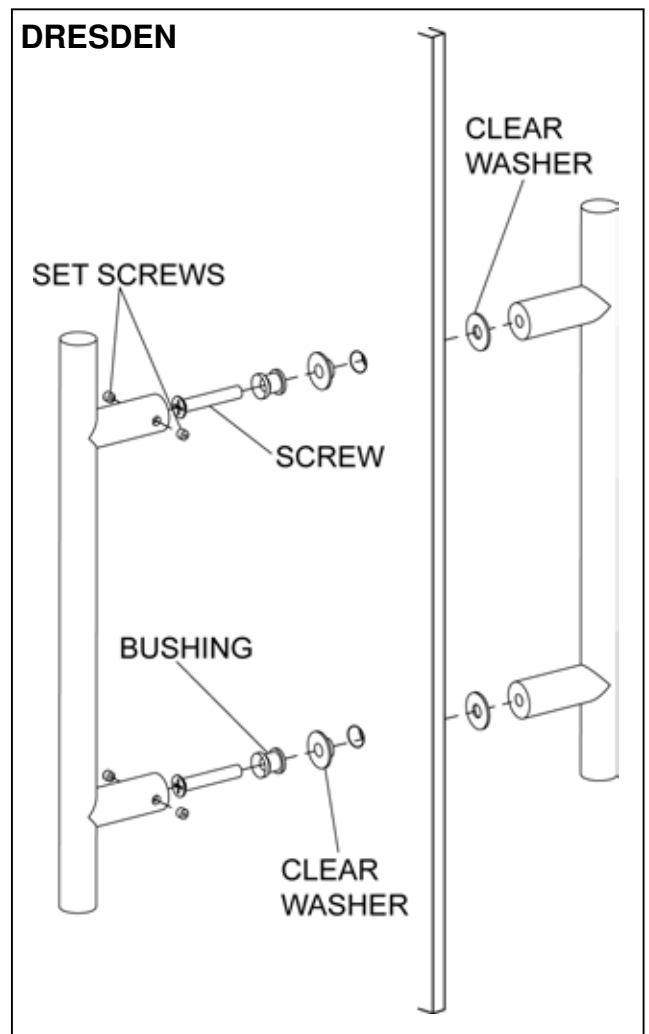
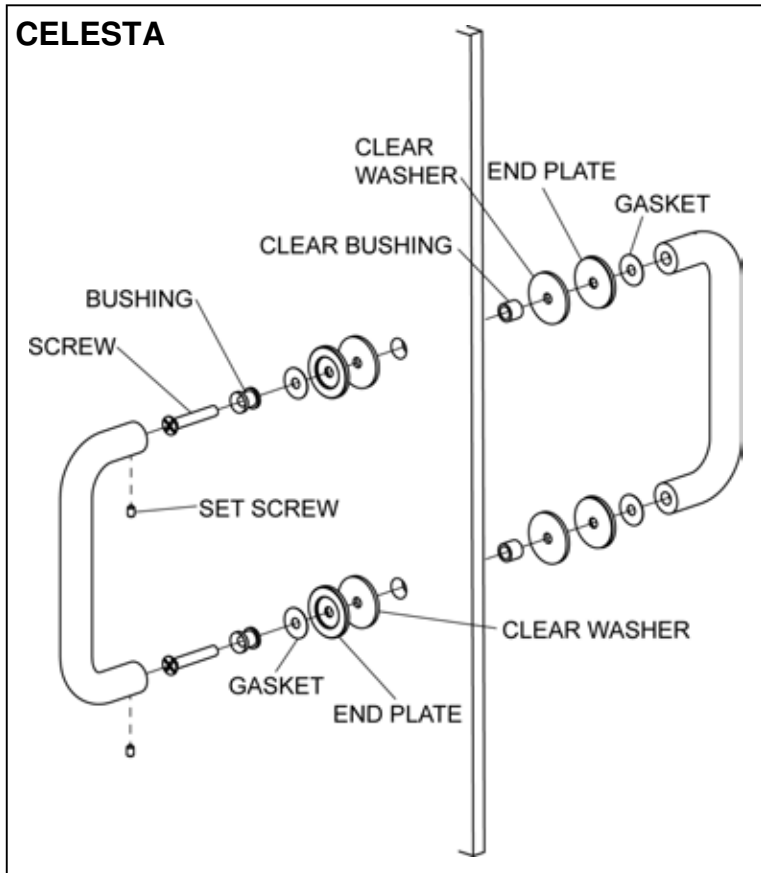
TIP: Run a small bead of silicone between the drip vinyl and the glass to secure the vinyl sweep and prevent water from collecting inside the sweep if adjusted.

NOTE: DO NOT USE the shower until the silicone is completely cured. Check the tube of silicone for the manufacturer recommended cure time (typically 24 - 48 hours).

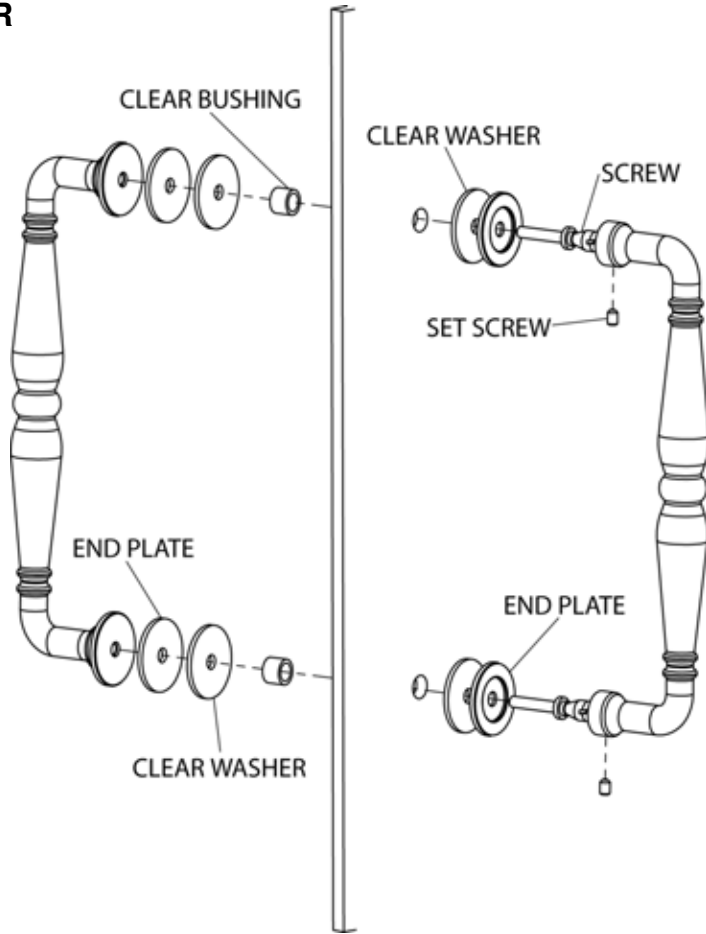


Installing Handles:

Assemble parts as shown. Screw washers, end plates, and gaskets into one side of the handle through the glass. Then align the other side of the handle onto the bushing and tighten the set screws.



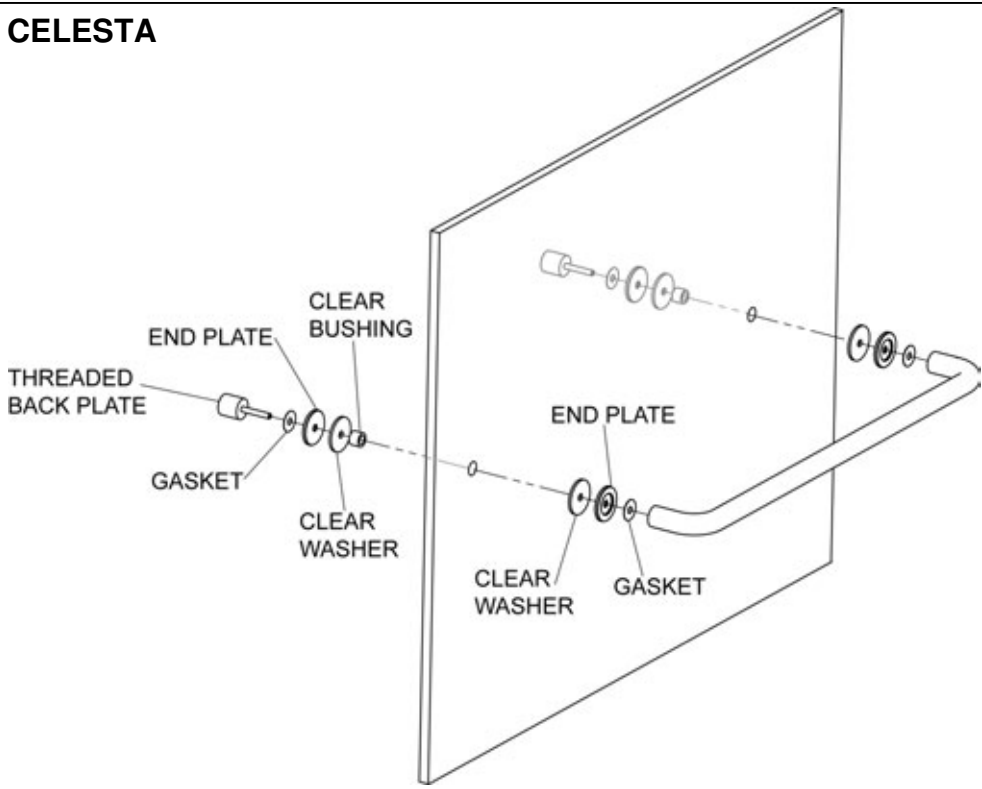
TRESOR



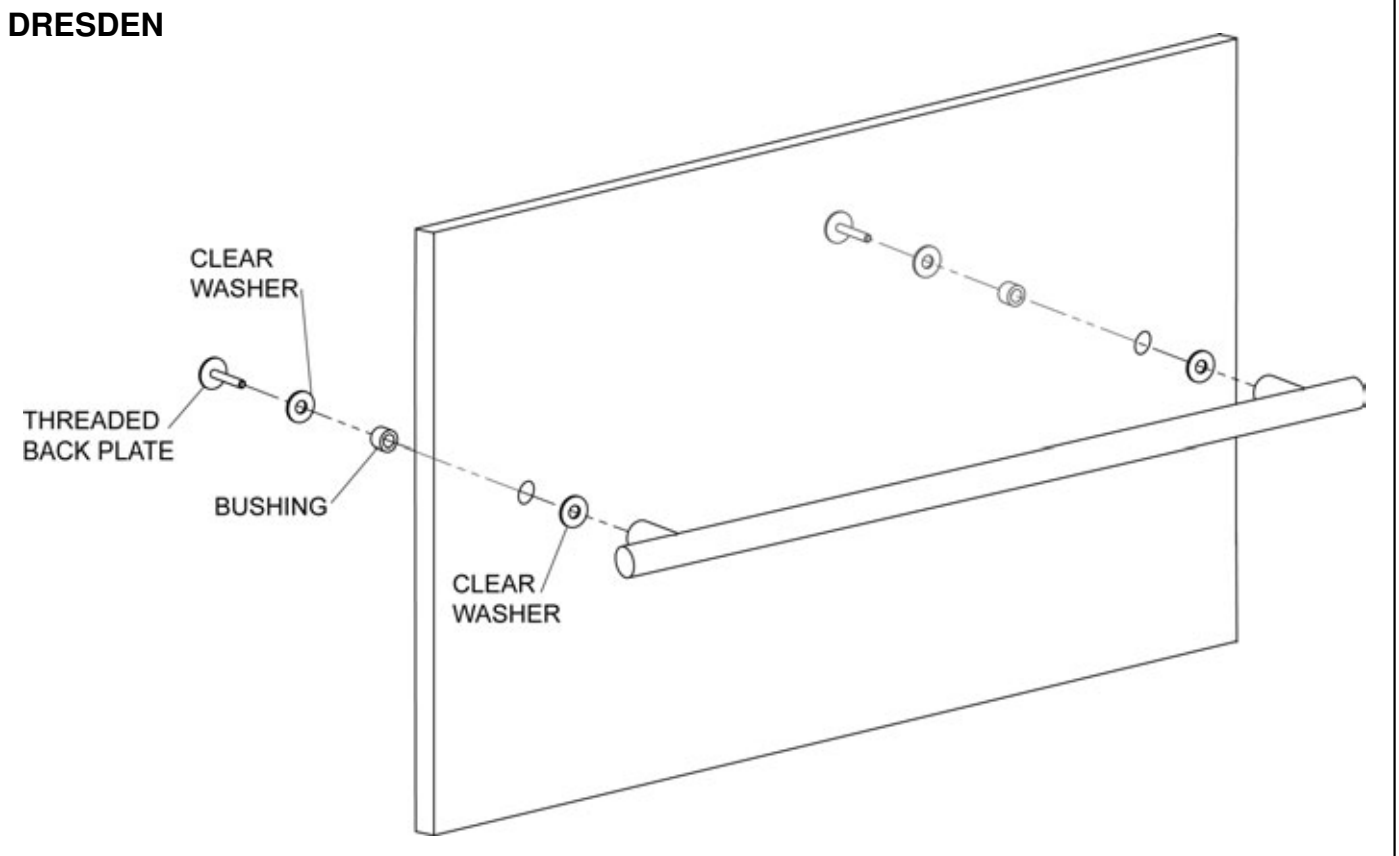
Installing Towel Bars:

Assemble parts as shown. Screw the threaded back plate or screw into the towel bar holding the washers, end plates, and gaskets in place. Align other side of towel bar on opposite side of glass and tighten set screws

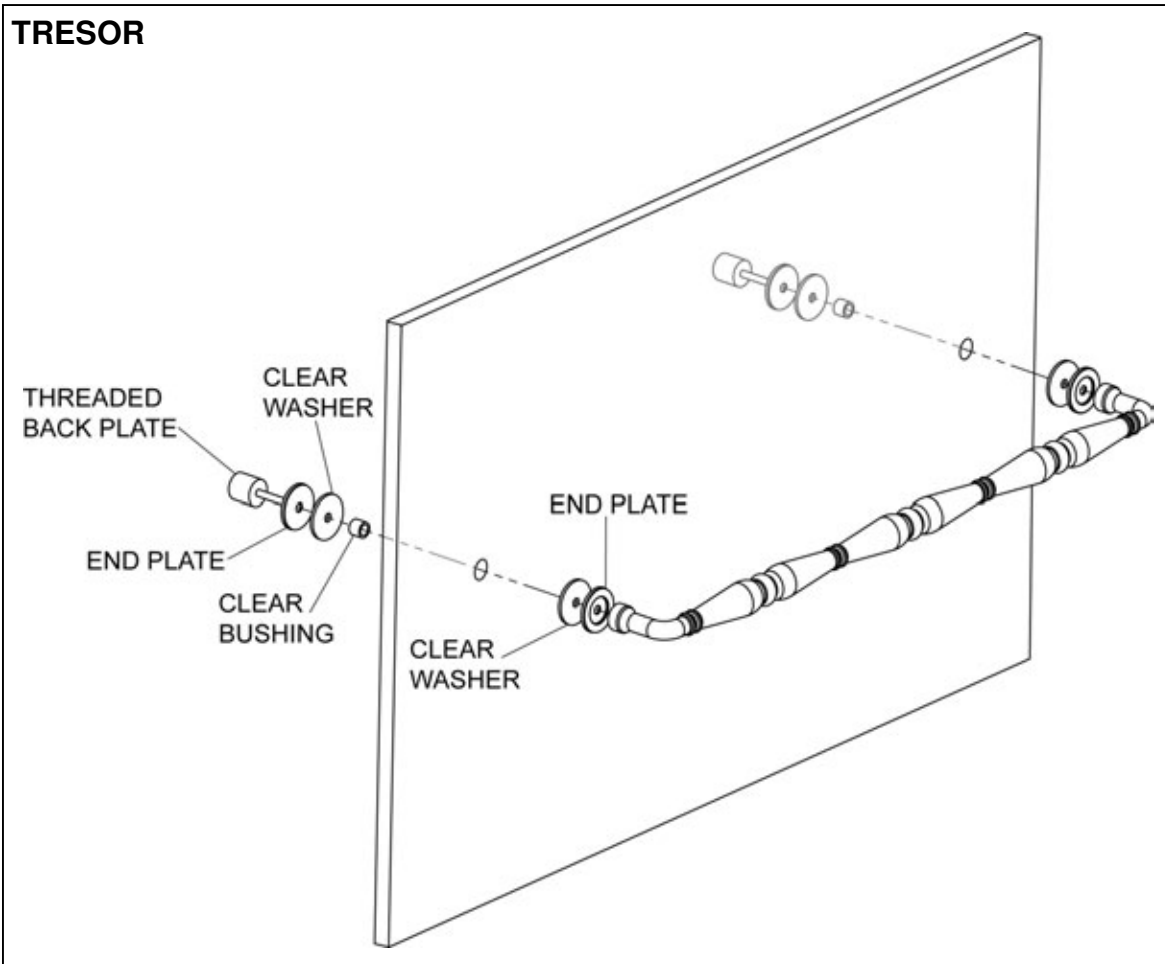
CELESTA



DRESDEN

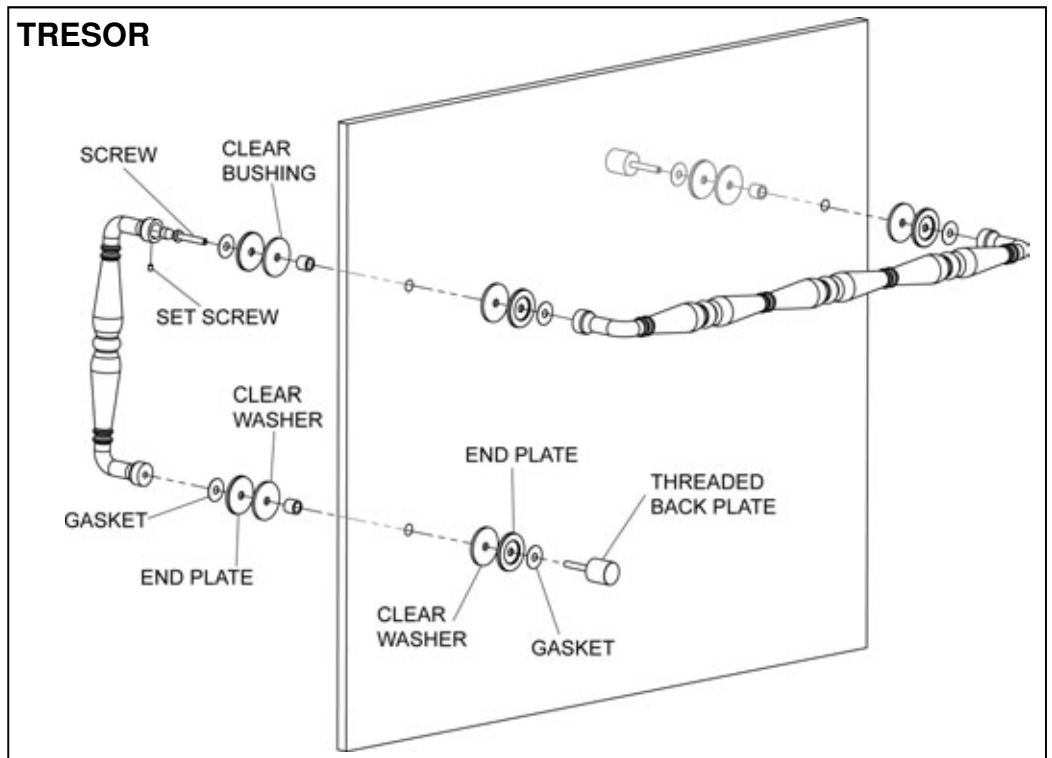
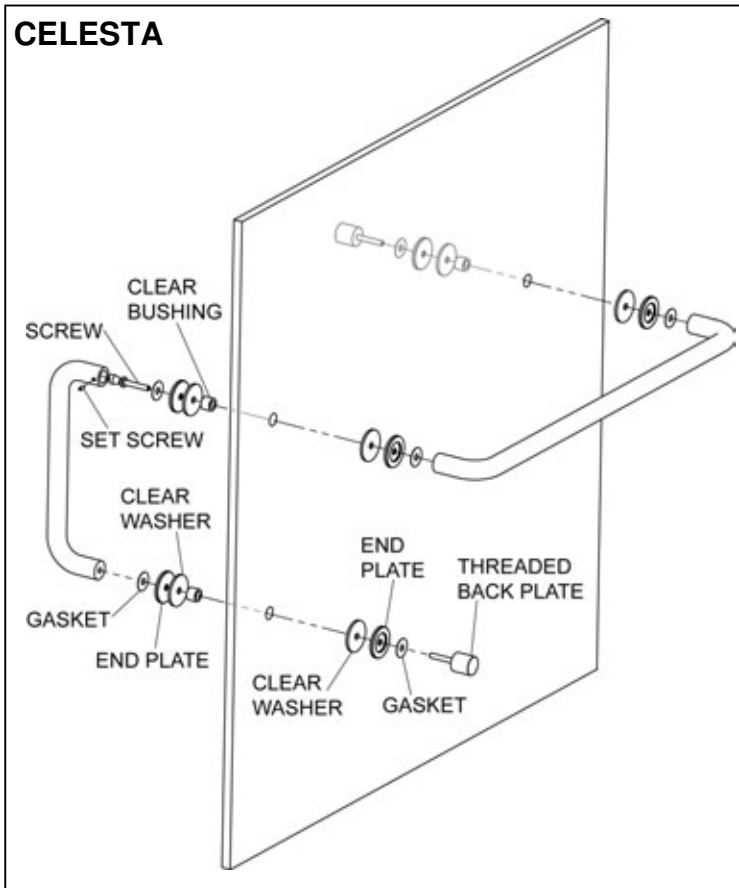


TRESOR



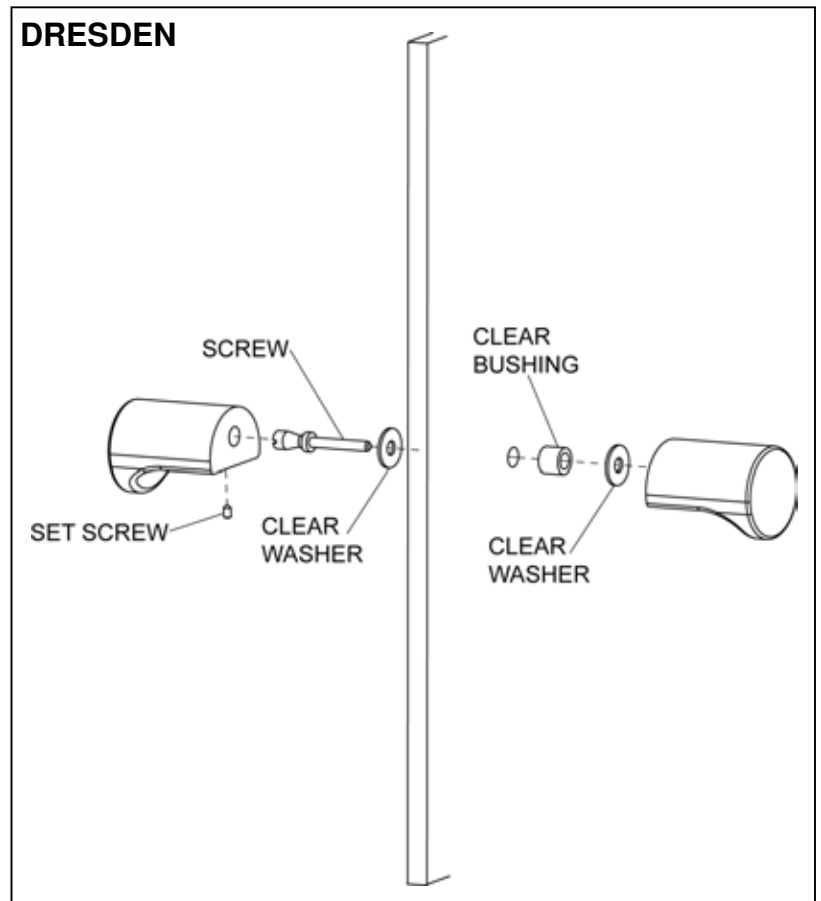
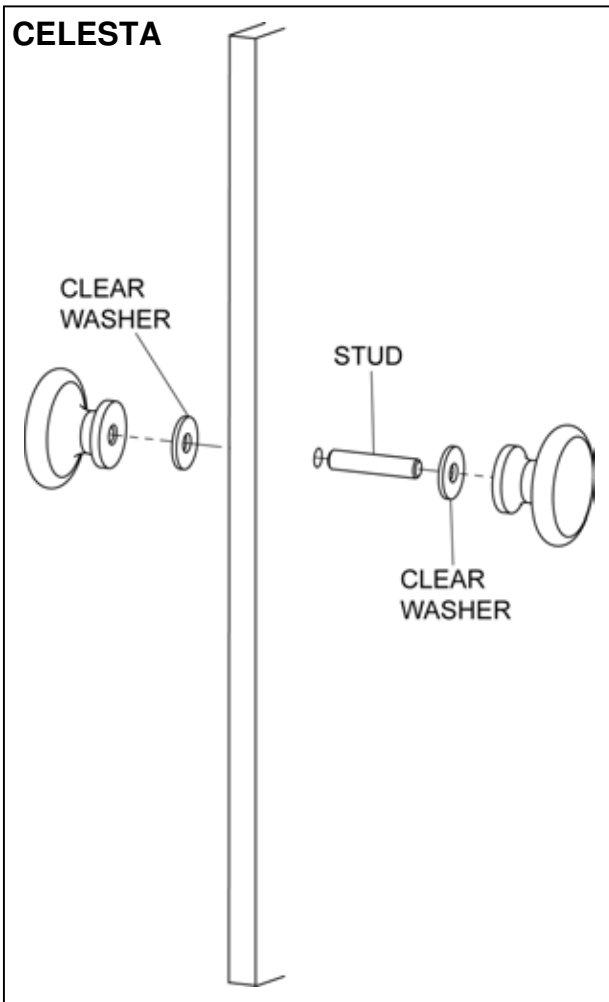
Installing Combination Towel Bars with Handle:

Assemble parts as shown. Screw washers, end plates, and gaskets into the towel bar through the glass using either a screw or the threaded back plate. Then align the handle on the other side of the glass. Tighten the set screws to hold the handle in place.

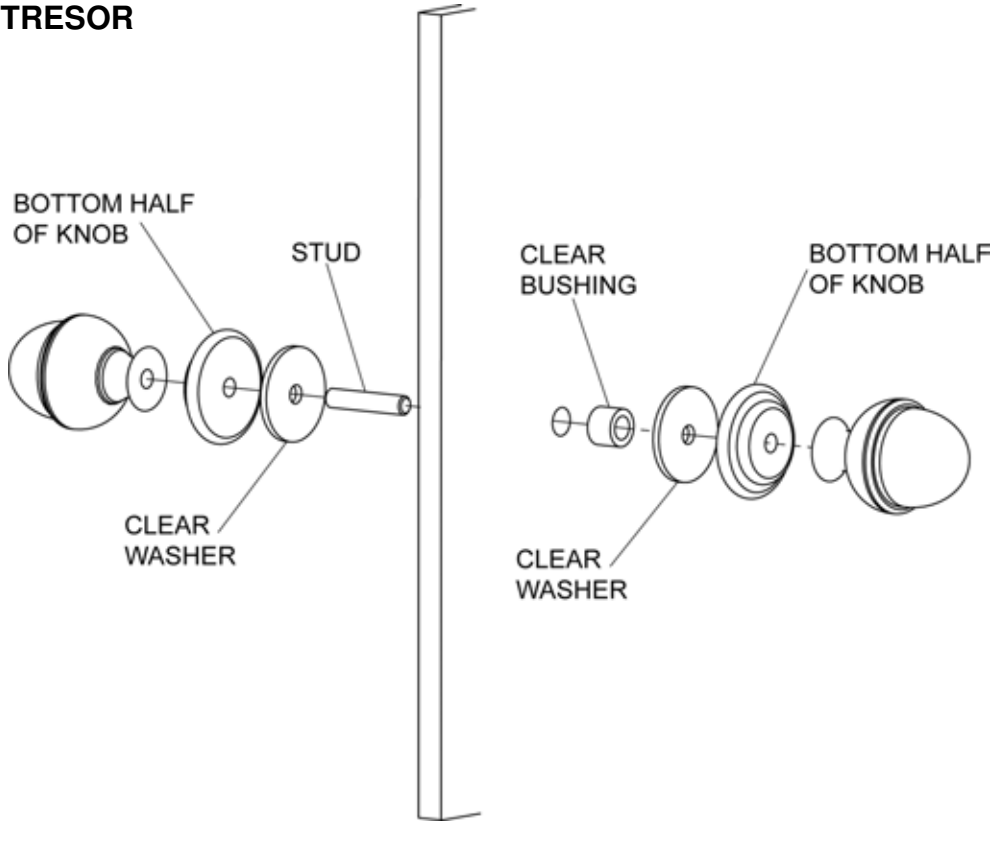


Installing Knobs:

Assemble parts as shown. Tighten each side of the knob onto the stud or tighten one side with screw and place other side of the knob on opposite side of glass and tighten with set screws.

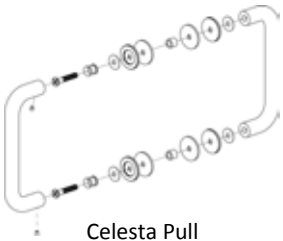


TRESOR

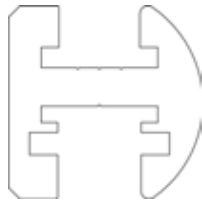


Parts Sheet for All Families

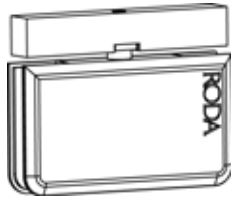
CELESTA



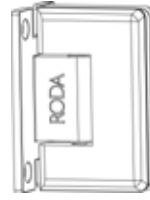
Celesta Pull



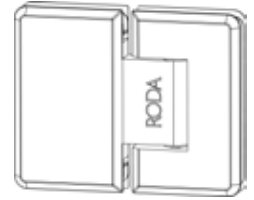
Celesta Header



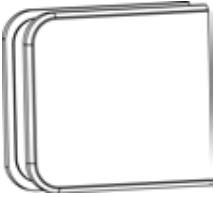
Celesta Pivot Hinge



Celesta Wall Mount Hinge



Celesta Glass to Glass Hinge



Celesta Wall Clamp



Celesta Combo Towel Bar

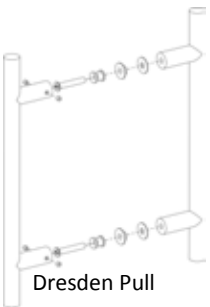


Celesta Towel Bar

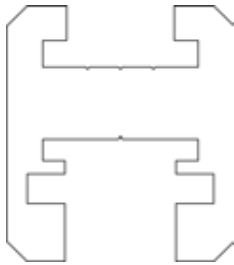


Celesta Knob

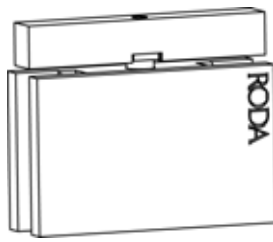
DRESDEN



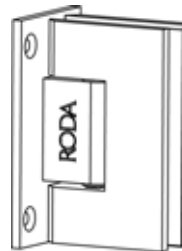
Dresden Pull



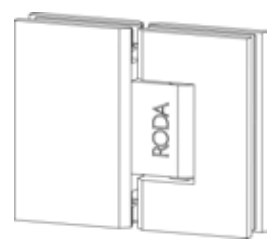
Dresden Header



Dresden Pivot Hinge



Dresden Wall Mount Hinge



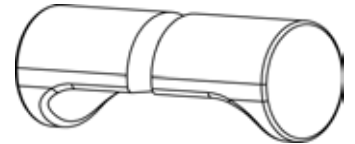
Dresden Glass to Glass Hinge



Dresden Wall Clamp

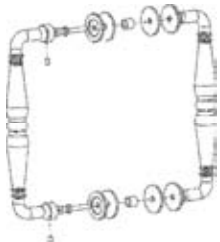


Dresden Towel Bar

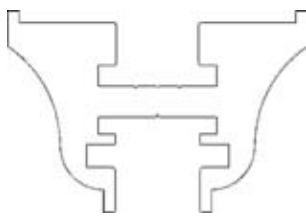


Dresden Knob

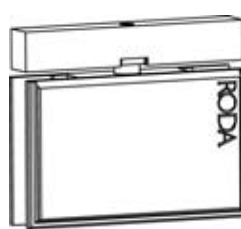
TRESOR



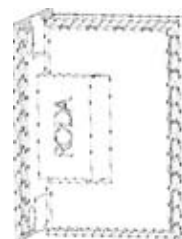
Tresor Pull



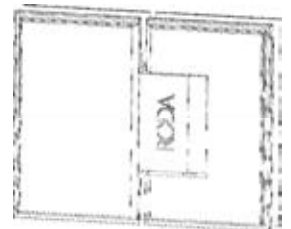
Tresor Header



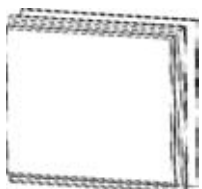
Tresor Pivot Hinge



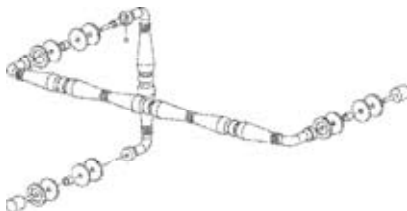
Tresor Wall Mount Hinge



Tresor Glass to Glass Hinge



Tresor Wall Clamp



Tresor Combo Towel Bar



Tresor Towel Bar



Tresor Knob