

RODA BY BASCO

925/935 RODA FIXED PANEL SLIDER

FRAMELESS PANEL / DOOR / PANEL
FRAMELESS DOOR / PANEL



EVO

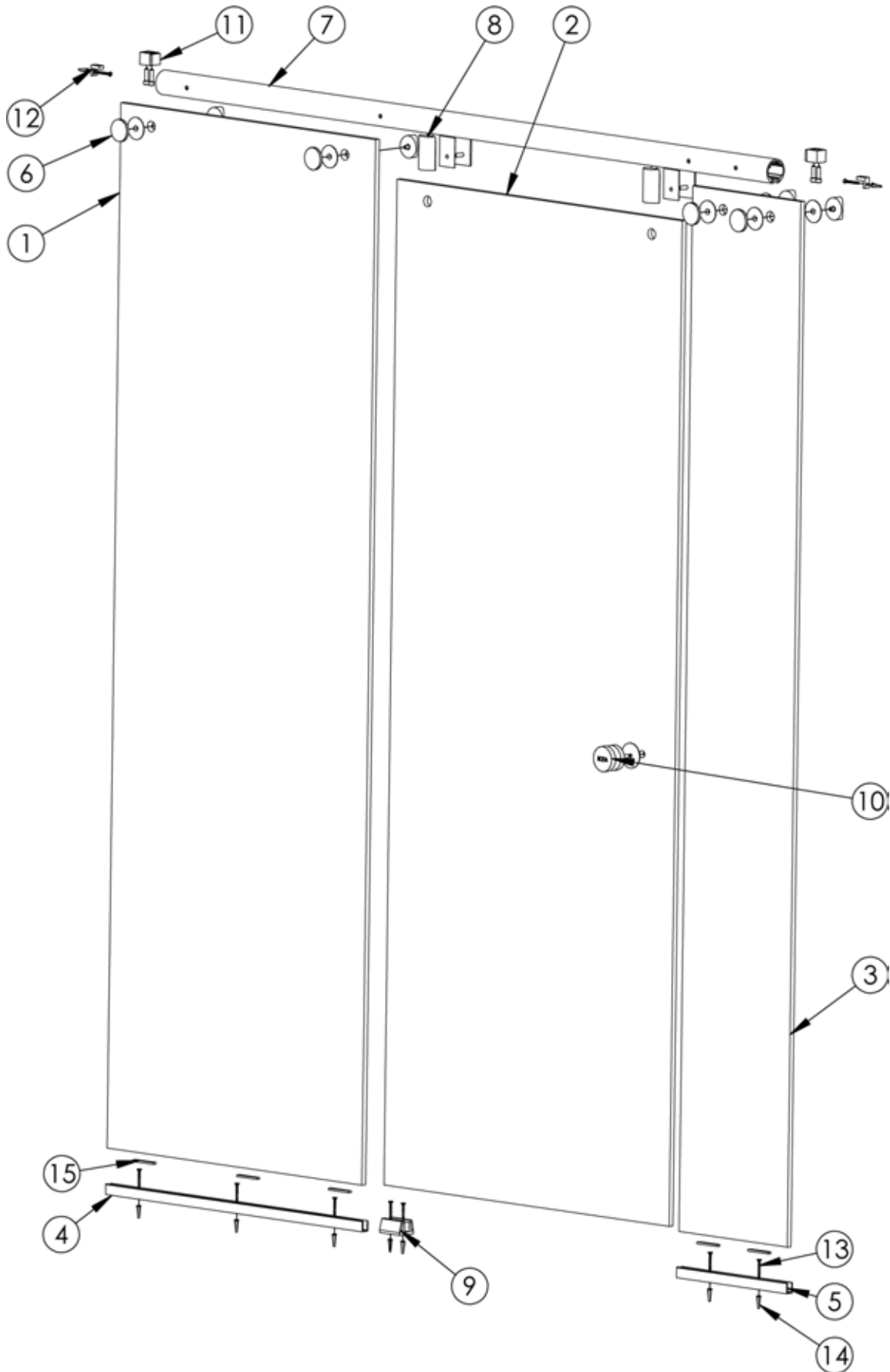


925 Roda Evo Parts List

ITEM NO.	Description	QTY.
1	Fixed Panel	1
2	Sliding Panel	1
3	Fixed Panel	1
4	U-Channel	1
5	U-Channel	1
6	Glass Clamp	4
7	Evo Header	1
8	Evo Roller	2
9	Glass Guide	1
10	Finger Pull	1
11	Roller Stop	2
12	L Bracket	2
13	#8 X 1 1/2 Strike Truss Screw	9
14	Plastic Wall Anchor	9
15	1/8 Setting Block	5

*Quantities may vary

925 Roda Evo Exploded View

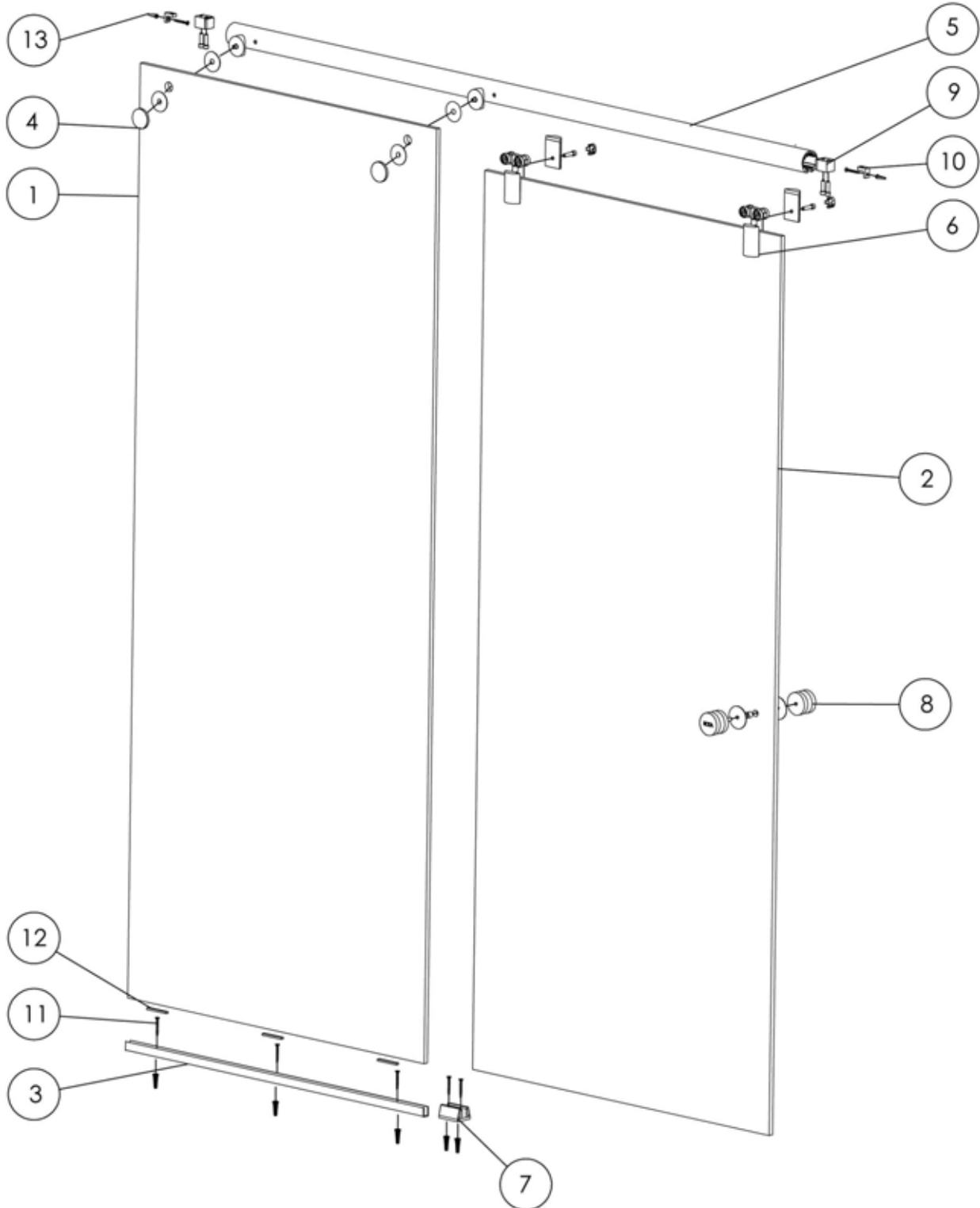


935 Roda Evo Parts List

ITEM NO.	DESCRIPTION	QTY.
1	Fixed Panel	1
2	Sliding Panel	1
3	U-Channel	1
4	Glass Clamp	2
5	Evo Header	1
6	Evo Roller	2
7	Glass Guide	1
8	Finger Pull	1
9	Roller Stop	2
10	L Bracket	2
11	#8 X 1 1/2 Strike Truss Screw	7
12	1/8 Setting Block	3
13	Plastic Wall Anchor	4

*Quantities may vary

935 Roda Evo Exploded View



Tools:

To install your Roda Shower Enclosure, you will need the following:

- Pencil
- Low Tack Masking Tape
- Tape Measure
- 4 ft & 6 ft Level
- #2 Phillips Screwdriver
- Drill
- 3/16" - 1/4" Drill Bit
- Hack Saw
- Caulking (Clear Silicone Recommended)
- Caulking Gun
- Suction Cups
- Center Punch (if drilling into tile)
- Files

Installation Notes:

This unit is best installed by two people.

Cover drain with tape prior to installation to prevent the loss of small parts.

Unpack your unit carefully and inspect for freight damage. Lay out and identify all parts using the instruction sheet as a reference. Before discarding the carton, check to see that no small hardware parts have fallen to the bottom of the box. If any parts are damaged or missing, refer to the description noted in the instructions when contacting your dealer for replacements.

Handle the glass panels carefully and protect the edge. Safety tempered glass is very resistant to breakage, but the sharp corners of the of the panels can damage tile and flooring surface. Although safety tempered glass is very resistant to breakage, the glass can still break if unequal pressure is applied during installation.

Please wear safety glasses whenever drilling or cutting. When drilling holes in ceramic tile or marble, use a center punch and hammer to carefully break the glazed surface, this will prevent skidding when drilling.

Maintenance:

Two primary materials are used to manufacture your new Basco shower enclosure: tempered glass and anodized aluminum. To assure a long lasting finish on the enclosure, wipe it down with a towel after each use.

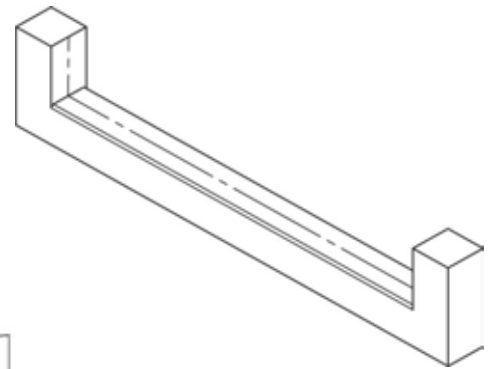
For occasional, more concentrated cleaning efforts, we find that **Lysol Non-Abrasive Bathroom Cleaner** works extremely well. Be sure that any over spray falling on the aluminum frame is rinsed thoroughly and dried. Many over-the-counter cleaners, if applied to the aluminum and left on, will harm the metal finish and cause permanent damage, even though their directions indicate safe use on shower doors. Never use a scouring agent to clean the aluminum.

NOTE: Tempered glass cannot be cut.

If a continuous unit centerline does not exist from the original measuring process, it will be necessary to create one. Referencing the Measuring Guide included with this unit, lightly mark a continuous unit centerline on the threshold.

Next, mark a continuous unit centerline up each wall, starting where the threshold centerline meets the wall. Use a level to ensure the wall centerline is plumb and straight. The wall centerlines should be a minimum of 74" high from the threshold.

Note: Centerline (CL) is a term used to describe the center or mid-point of the unit. The position of the unit centerline can be located anywhere in the width of the threshold, as long as adequate structure exists beneath the centerline for fastening and the outer edges of the unit will not overhang the threshold. The most common unit centerline position is the middle of the threshold.



Unit Cross Section

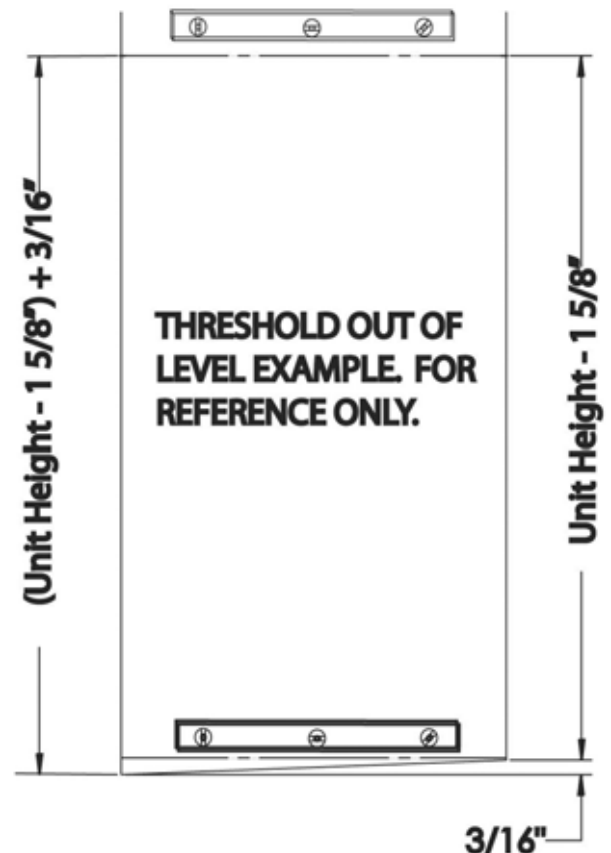
Note: It is extremely important the unit centerline be continuous and straight to ensure proper installation.

Use a level to check the threshold for out of level conditions if the original measured conditions are not available. If no conditions exist, measure up each wall Unit Height - 1 5/8". Clearly mark each location.

If out of level conditions exist, measure up the "high" side wall centerline a distance of Unit Height - 1-5/8" from the threshold and clearly mark this location.

For the wall centerline distance on the "low" side of the threshold, use a level to determine the threshold out of level distance and add this value to Unit Height - 1 5/8".

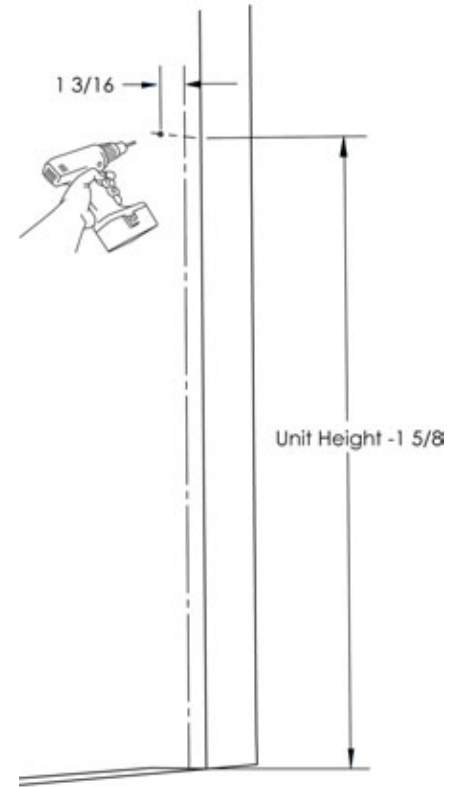
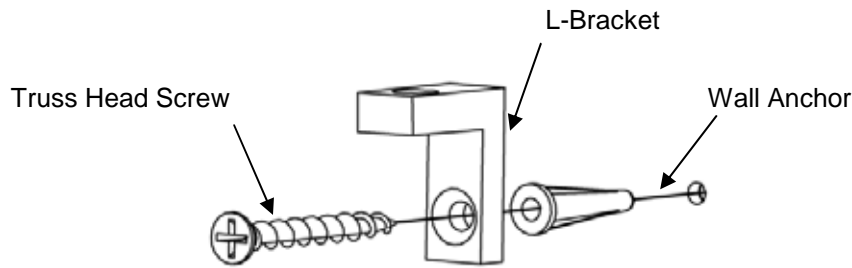
Measure this summed distance up the "low" side wall centerline from the threshold and clearly mark this location.



Measure back (toward the inside of the shower) 1-3/16" from the locations just marked and mark this location to drill.

Drill a 3/16" diameter hole, approximately 1-1/2" deep, at each wall location. (See illustration for example.)

Insert a Wall Anchor into each hole, and install a Header L-Bracket at each location as shown. Secure the L-Brackets to each wall with a #8 x 1-1/2" truss head screw.



Remove the u-channels from the hardware box and countersink holes in the u-channels. Each piece of u-channel requires a minimum of two (2) screws, 3" from each end for lengths less than 18". Lengths 18" or greater require screws approximately every 18"-24", and 4"-6" from each end.

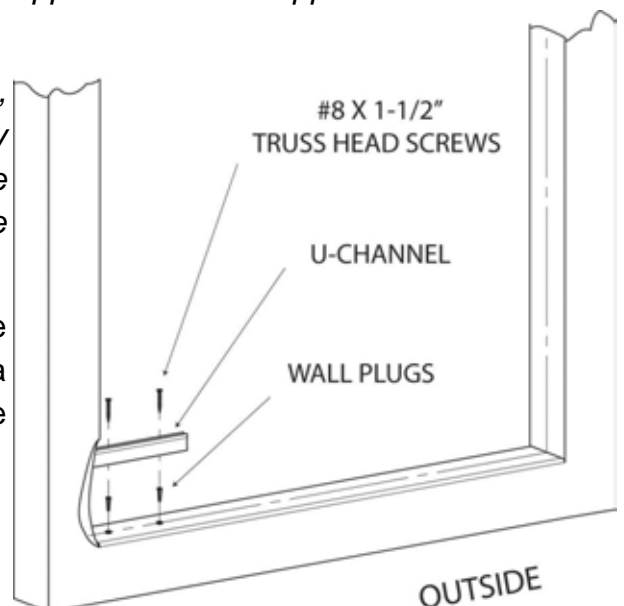
Each piece of u-channel is cut to length and mitered as necessary. Position each piece of u-channel along the threshold centerline on the correct side of the enclosure and use low-tack tape to hold in place. Check that each piece of u-channel fits in location along the marked centerlines, and any mitered joints fit tightly.

In the event the u-channel doesn't fit properly, contact Basco Technical Support.

If your unit was ordered with a notch panel, please see appendix "A" for supplemental installation instructions.

If your unit includes multiple stationary Glass Panels, repeat the steps associated w/ installing the stationary Glass Panels for each stationary panel. Reference the unit drawing shipped with the unit to determine where each stationary glass panel is to be located.

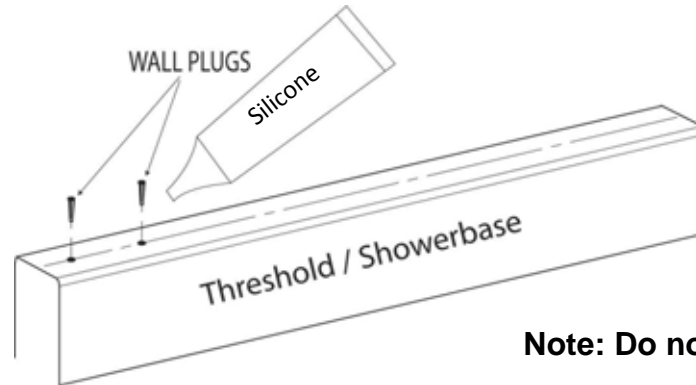
With a pencil, carefully mark each hole position on the threshold centerline. Remove the U-Channel and drill a 3/16" diameter hole, approximately 1-1/2" deep, at the marked locations.



Note: It is critical that the threshold U-Channel is centered on the centerline.

Insert a small amount of silicone into each drilled hole. Then insert a wall anchor into each hole. (Note: This must be done just before u-channel installation).

Carefully cut the heads off the wall anchors with a razor blade. Place the U-Channel in correct position and secure it with #8 x 1-1/2" truss head screws.



Note: Do not over tighten screws.

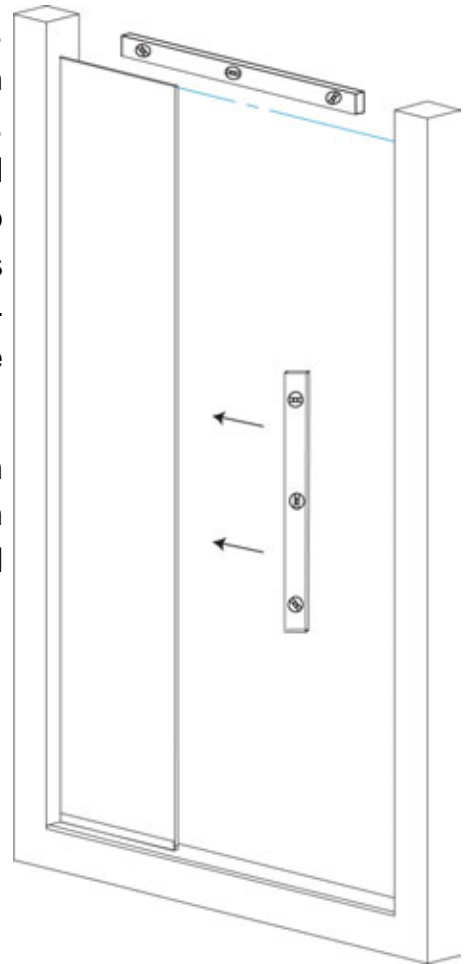
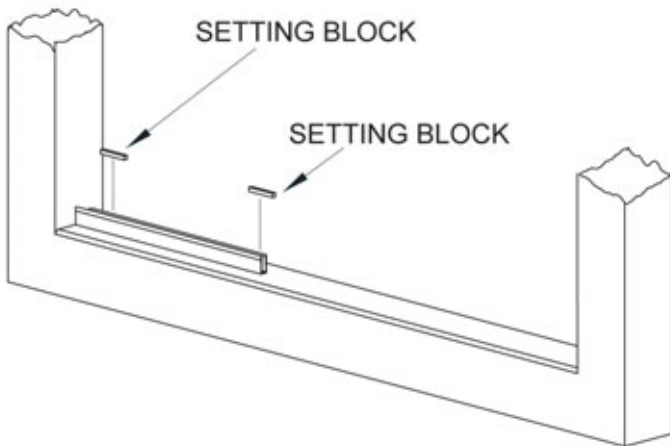
Check the header for proper length in the opening. The header should be the opening size minus 1/16". In the event there is a measurement discrepancy, contact Basco Technical Support.

Place the Header onto the Header L-Brackets and temporarily secure it in place using the screws provided.



Place 1/4" setting blocks as shown or approximately every 18". **DO NOT** place setting blocks over screw heads. Using suction cups, slide the fixed panel of glass into the appropriate side. Use setting blocks to make exposed edges of the glass level and plumb. As a guideline, there should be about a 3/16" gap between the butting wall and the butting edge of the fixed Glass Panel. Exposed edges **MUST** be level and plumb before moving to next step. The glass must be even with the inside edge of the u-channel.

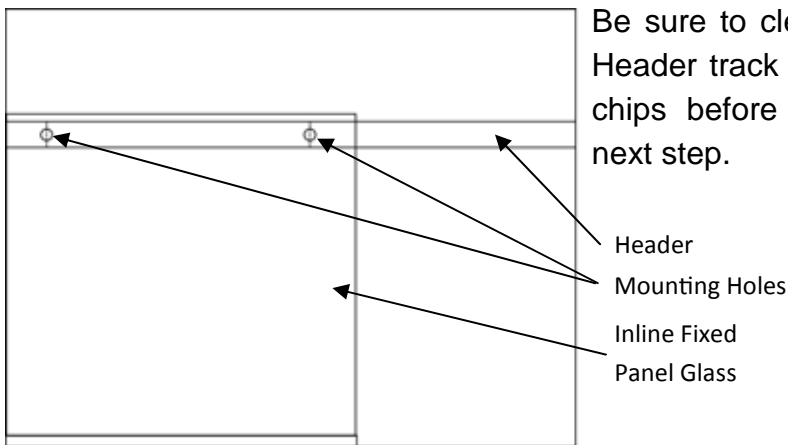
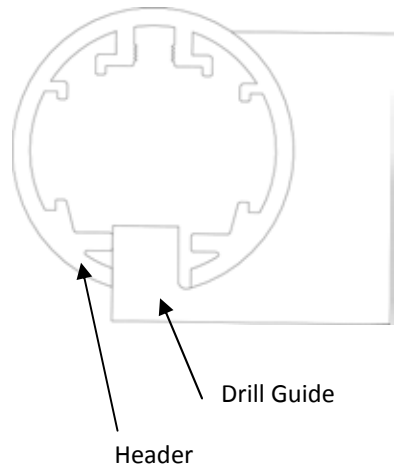
**Different size setting blocks may be required depending on level conditions. Various size setting blocks provided and can be used in different combinations (stacked) to obtain the desired results.



Repeat steps for additional panels as necessary.

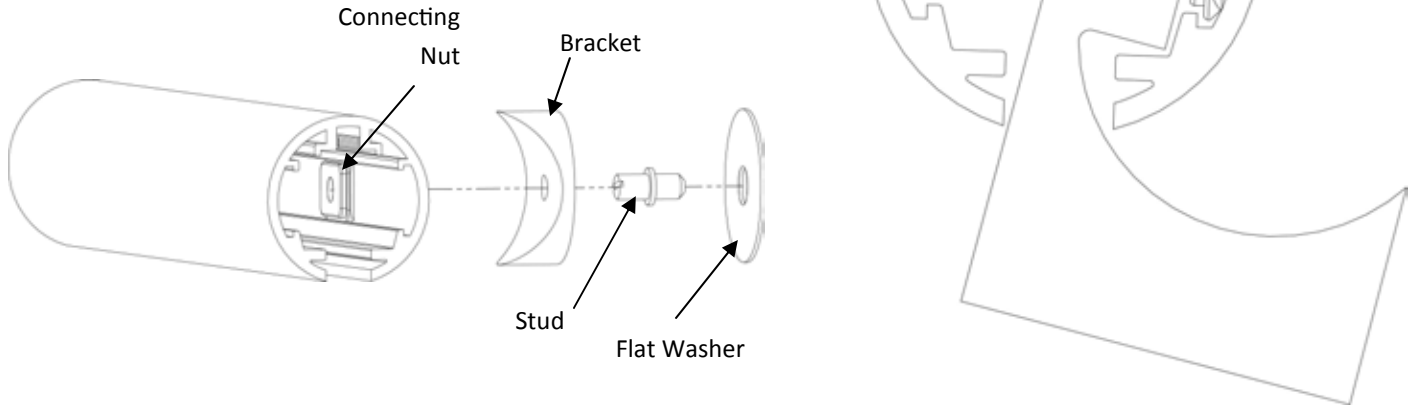
With the glass level and plumb, make a vertical mark on the Header on center w/ each mounting hole in the Fixed Glass Panel(s).

Remove the Panel Glass and set aside. Remove the Header. Using the Drill Guide and 5/16" Drill bit provided, drill clearance holes in the Header at these locations.



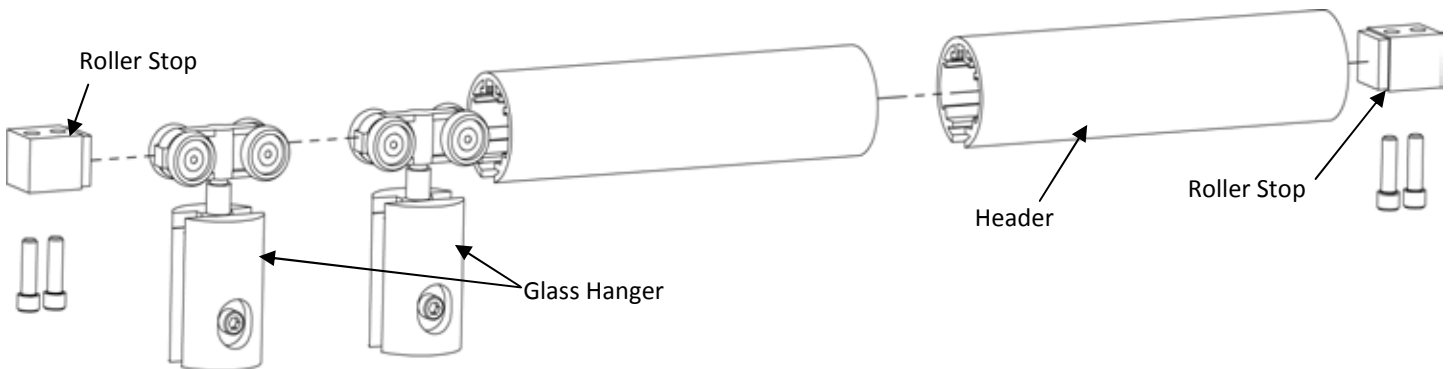
Be sure to clean the internal Header track of all aluminum chips before moving to the next step.

Using the Drill Guide, slide the Connecting Nuts into the race in the interior of the Header and align w/ the holes. Fasten the Connector Nuts to the Header snugly, using the Bracket and Stud provided.

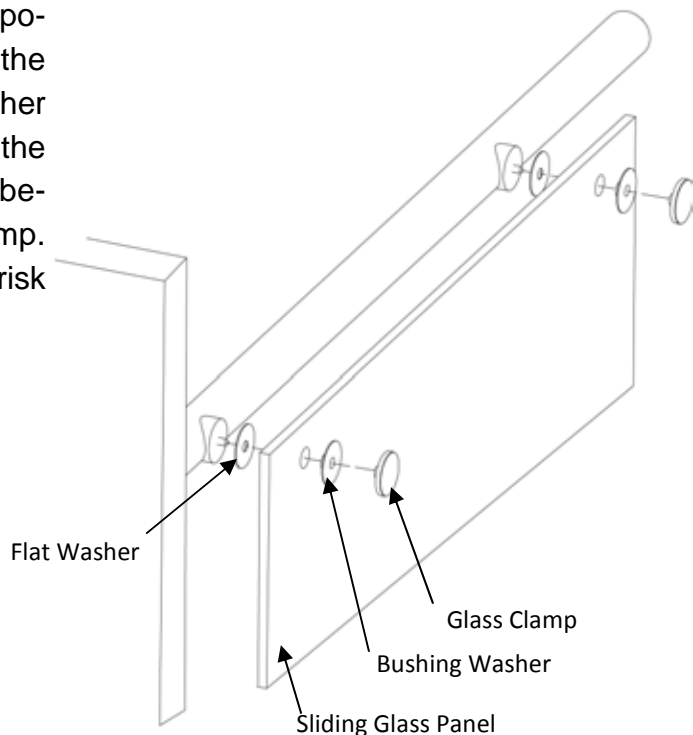


Remove the front plate from the Glass Hangers and set aside. Insert one of the Roller Stops into the end of the Header. Next, insert both of the Glass Hangers into the end of the Header with the clamping screws of the glass hangers facing into the shower, and the brackets for the Fixed Glass Panel(s) facing the exterior of the shower. Lastly, insert the second Roller Stop into the same end of the Header. The end result should be: Roller Stop, Glass Hanger, Glass Hanger and Roller Stop.

Fasten the Header to the L-Brackets using the screws provided.



Using suction cups, slide the Fixed Panel back into position. Secure the Fixed Panel to the Header with the outer half of the Glass Clamp. The Plastic Flat Washer must be sandwiched between the Header side of the Glass Clamp, w/ the Bushing Washer sandwiched between the front of the Glass and the Glass Clamp. Hand tighten only, DO NOT use a tool to tighten for risk of scratching the Clamp or the Glass.



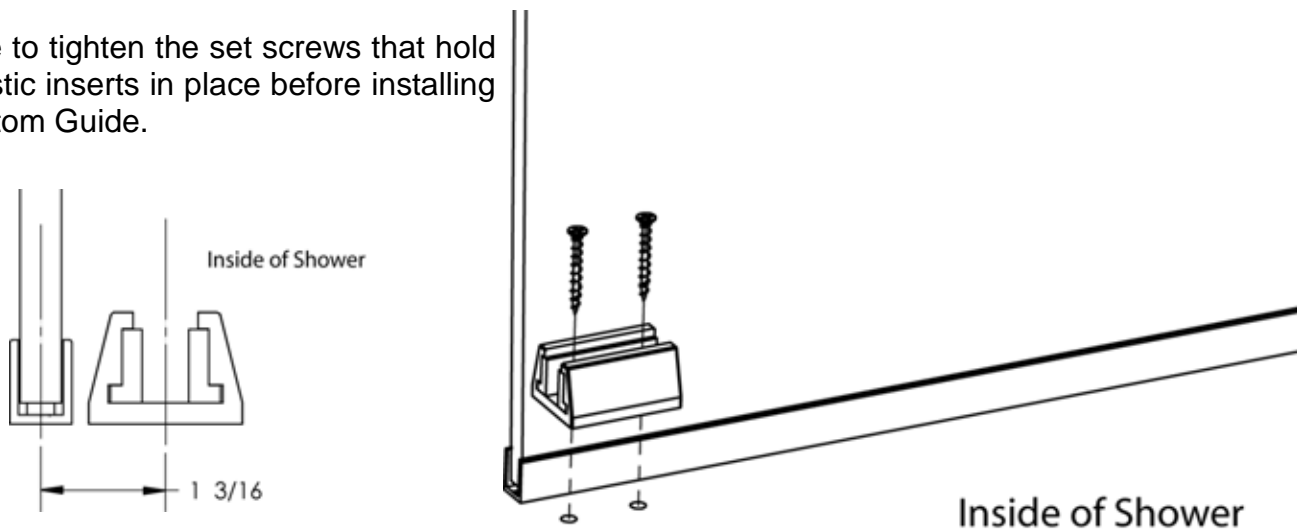
Place the Sliding Panel Bottom Guide on the threshold behind the fixed panel, flush with the edge of the Fixed Panel, and centered 1-3/16" toward the inside of the shower from the unit centerline (see illustration). This position will hide the Bottom Guide behind the fixed panel and align it with the Sliding Panel.

Mark the hole locations on the threshold. Remove the Bottom Guide and drill a 3/16" diameter hole approximately 1" deep at each location.

Insert a small amount of silicone into each drilled hole and insert a Wall Anchor into each hole.

Carefully cut the heads off the wall anchors with a razor blade. Place the Bottom Guide back into position and secure it with #8 x 1-1/2" truss head screws.

Be sure to tighten the set screws that hold the plastic inserts in place before installing the Bottom Guide.

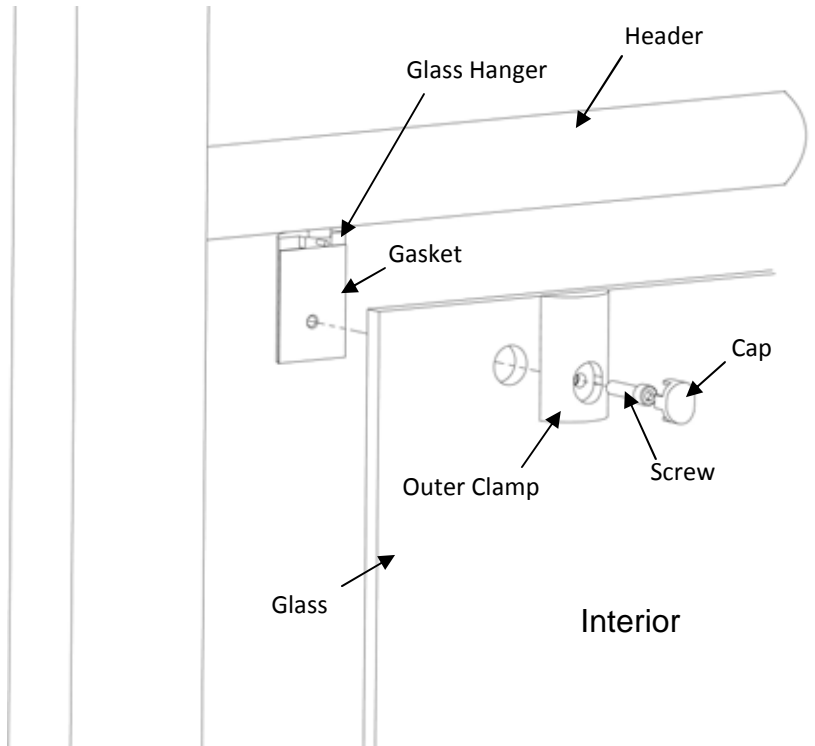


Place the Sliding Panel in the opening by setting the panel on tapered wood shims approximately 3/16" high. Position the Sliding Panel so its level and plumb to the opening.

Roll the Glass Hangers into alignment w/ the holes at the top of the Sliding Panel. Insert the correct size Nylon Spacer to the surround the Allen Screw. Use the thickest Spacer that will fit in the hole and still allow the screw to pass through the hole in the middle of the spacer. The spacer is used to ensure the door will maintain the correct positioning.

Tighten the Glass Hangers permanently to the glass and remove the wood shims.

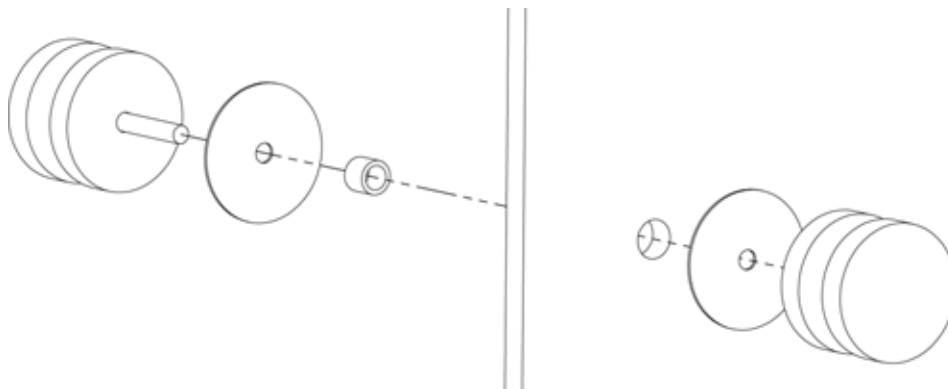
Test the door for smooth operation, adjust as necessary .



Install the handle to the Sliding Glass through the hole provide as shown.

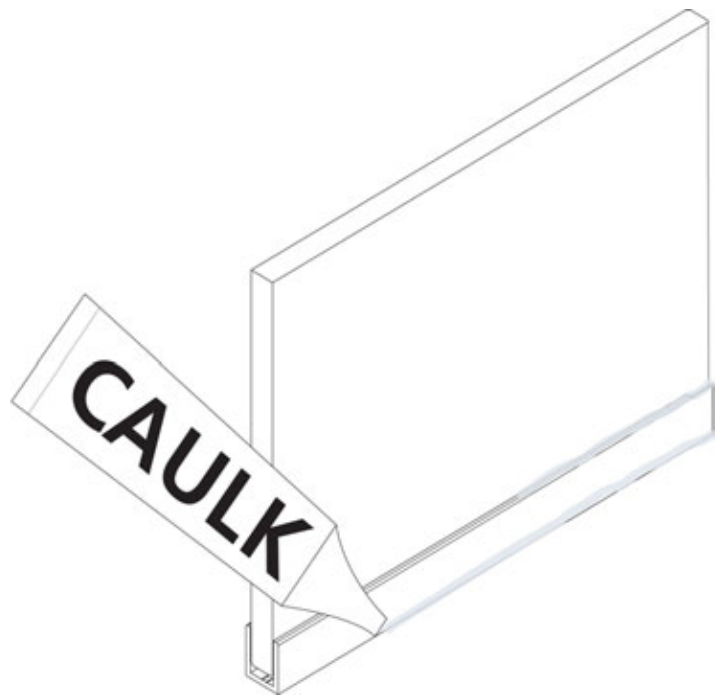
Hand tighten only, DO NOT use a tool to tighten for risk of scratching the Clamp or the Glass.

Make sure the brand logo is horizontal when tight.



Finally, adjust the Roller Stops in the Header appropriately to limit the travel of the Sliding Panel and tighten securely.

On the interior face of the Fixed Glass Panel, place a strip of low tack tape on the glass about 1/8" to 3/16" away from edge of the u-channel both vertically and horizontally. Run a small bead of silicone along this edge. Next, on the interior, run a bead of silicone between the u-channel and the threshold and also between the glass and the wall. After completing, remove the tape before silicone sets.



NOTE: DO NOT USE the shower until the silicone is completely cured. Check the tube of silicone for the manufacturer recommended cure time (typically 24 - 48 hours).

Appendix — A Notch Panel

If your unit has been purchased with a notch panel option, two additional pre-cut pieces of u-channel will be provided. These two pieces of u-channel will be mitered and cut to size based on the opening dimensions provided with your order. Please follow the same instructions provided for mounting threshold and wall u-channels, to mount the notch panel u-channels. Below are illustrations to clarify the mounting orientations.

