

900 RODA

FRAMELESS DOOR



PRECERIA

900 - Preceria Parts List

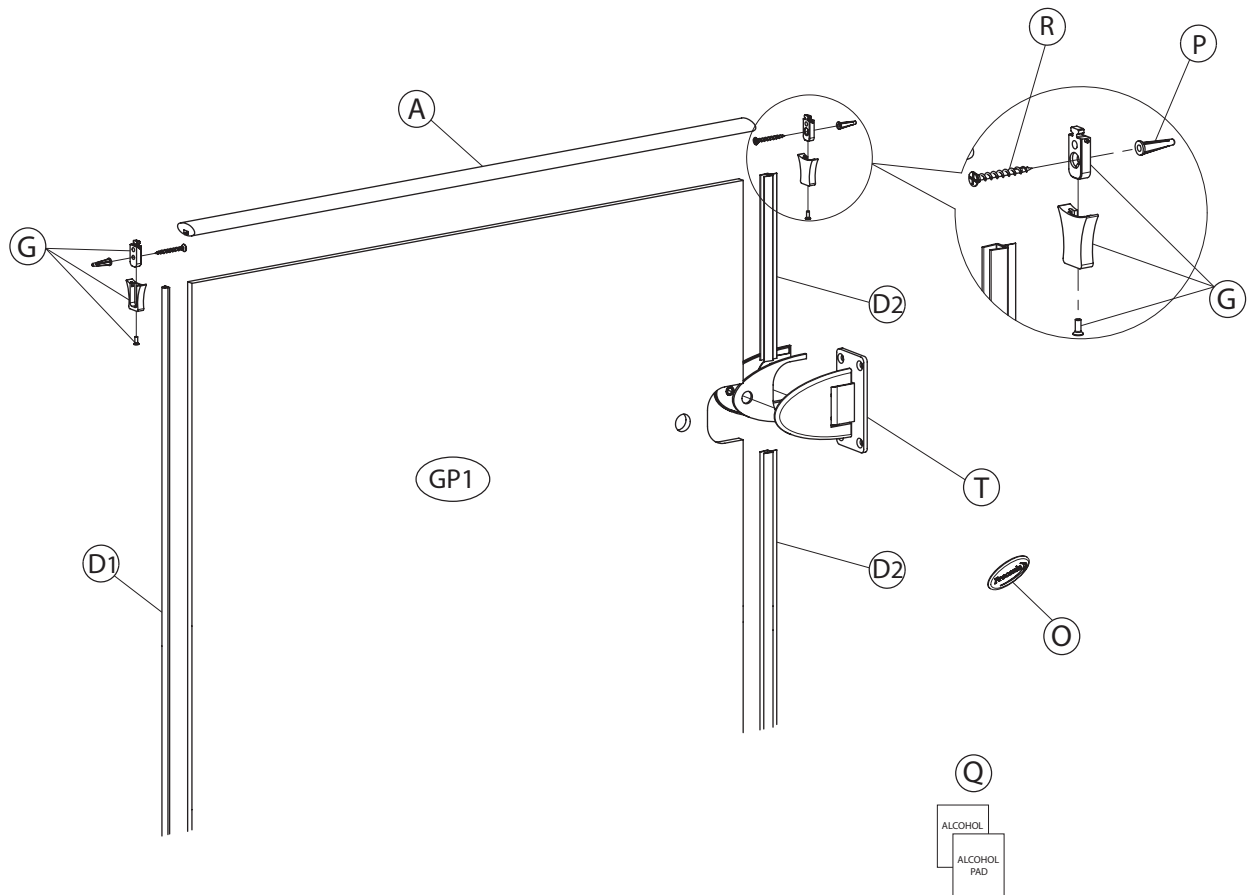
KEY	DESCRIPTION	PART NO.	QTY
A	HEADER	SC885-02-62	1
D	DRIP VINYL	SCV452-2-28	1
D1	BULB SEAL VINYL 98"	SCV927	1
D2	5/16" CLEAR VINYL SEAL	P450BR	1

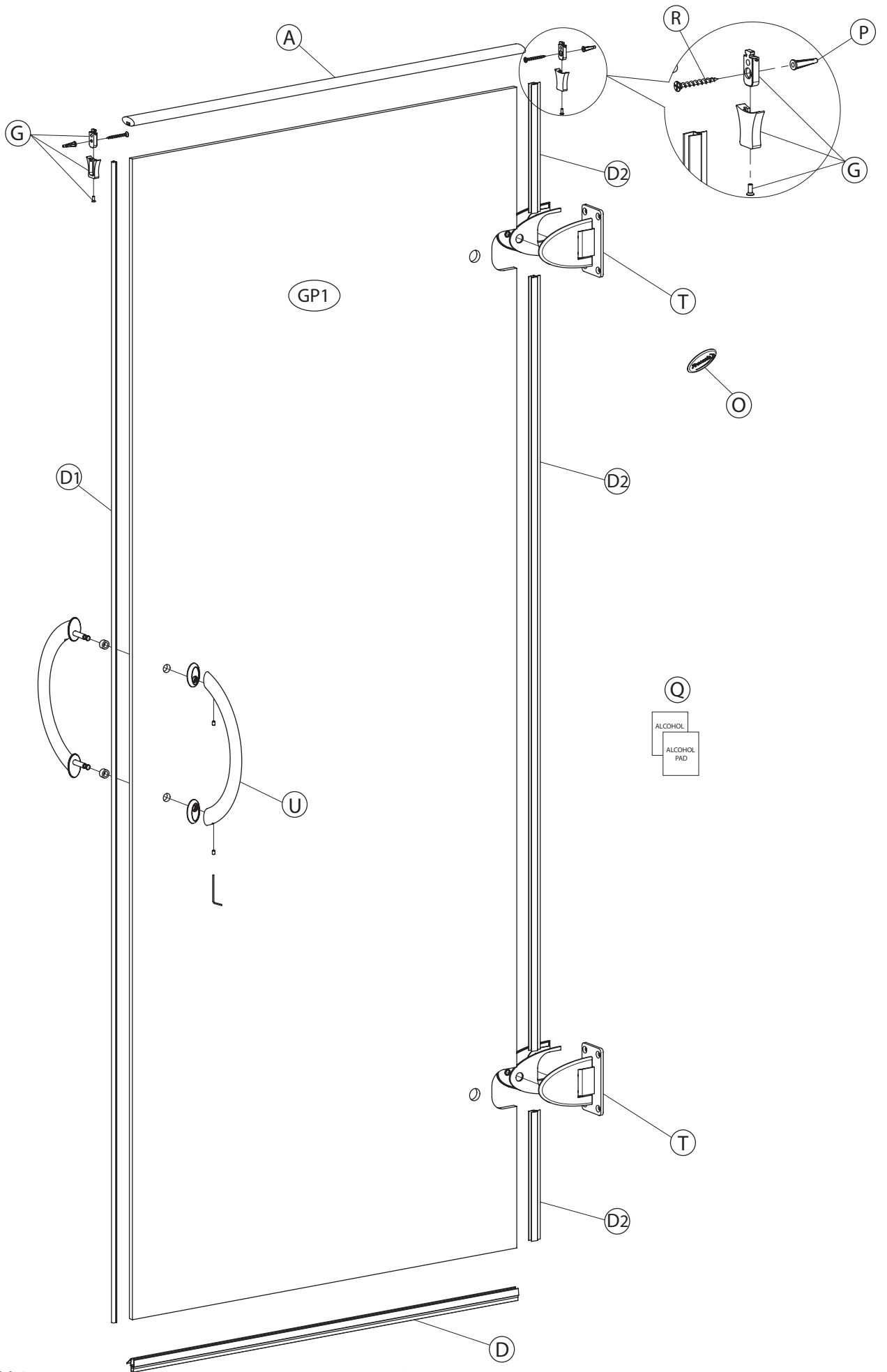
-	PRECERIA UNIT PARTS PAK	SCPRCR12PP	1
G	WALL MOUNT HEADER BRACKET ASSEM.	SC4065	2
O	PRECERIA LOGO	PREC-NP	1

-	PRECERIA FASTENERS PARTS PAK	SCPRCR22PP	1
P	WALL PLUG	SC4106	2
Q	ALCOHOL PAD	--	2
R	#8 X 1 1/2 SCREW	SCR09SV	2

T	180L WALL MOUNT HINGE	HW16A000	2
U	8" HANDLE	SC4017	1

	GLASS PANEL		
GP1	DOOR PANEL	CLT2800-14	1





Tools:

To install your Basco Shower Enclosure, you will need the following:

- Pencil
- Low Tack Masking Tape
- Tape Measure
- 4 ft & 6 ft Level
- #2 Phillips Screwdriver
- Drill
- 3/16" - 1/4" Drill Bit
- Hack Saw
- Caulking (Clear Silicon Recommended)
- Caulking Gun
- Suction Cups
- Center Punch (if drilling into tile)
- Files

Installation Notes:

This unit is best installed by two people.

Cover drain with tape prior to installation to prevent the loss of small parts.

Unpack your unit carefully and inspect for freight damage. Lay out and identify all parts using instruction sheet as a reference. Before discarding the carton, check to see that no small hardware parts have fallen to the bottom of the box. If any parts are damaged or missing, refer to the description noted in the instructions when contacting your dealer for replacements.

Handle the glass panels carefully and protect the edge. Safety tempered glass is very resistant to breakage, but the sharp corners of the of the panels can damage tile and flooring surface. Although safety tempered glass is very resistant to breakage, the glass can still break if unequal pressure is applied during installation.

Please wear safety glasses whenever drilling or cutting. When drilling holes in ceramic tile or marble, use a center punch and hammer to carefully break the glazed surface, this will prevent skidding when drilling.

Maintenance:

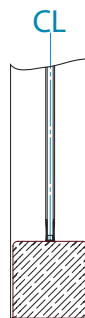
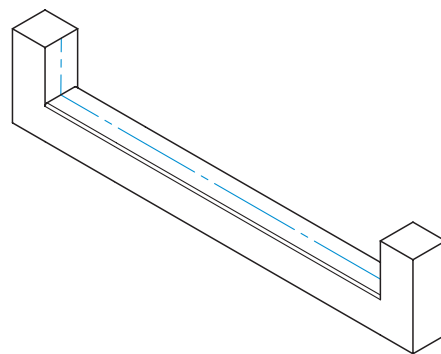
Two primary materials are used to manufacture your new Basco shower enclosure: tempered glass and anodized aluminum. To assure a long lasting finish on the enclosure, wipe it down with a towel after each use.

For occasional, more concentrated cleaning efforts, we find that **Lysol Non-Abrasive Bathroom Cleaner** works extremely well. Be sure that any over spray falling on the aluminum frame is rinsed thoroughly and dried. Many over-the-counter cleaners, if applied to the aluminum and left on, will harm the metal finish and cause permanent damage, even though their directions indicate safe use on shower doors. Never use a scouring agent to clean the aluminum.

NOTE: Tempered glass cannot be cut.

1 If a continuous unit centerline does not exist from the original measuring process, it will be necessary to create one. Referencing the Measuring Guide included with this unit, lightly mark a continuous unit centerline on the threshold. Next, mark a continuous unit centerline on each wall, starting where the threshold centerline meets the wall. Use a level to ensure the wall centerline is plumb and straight. The wall centerlines should be a minimum of 74" high from the threshold.

Note: Centerline (CL) is a term used to describe the center or mid-point of the unit. The position of the unit centerline can be located anywhere in the width of the threshold, as long as adequate structure exists beneath the centerline for fastening and the outer edges of the unit will not overhang the threshold. The most common unit centerline position is the middle of the threshold.



Unit Cross Section

Note: It is extremely important the unit centerline be continuous and straight to ensure proper installation.

2 Use a level to check the threshold for out of level conditions if the original measured conditions are not available. If no conditions exist, measure up each wall centerline a distance of 73" (for a unit height of 74" which is standard height), from the threshold, and clearly mark each location.

Note: For custom unit height use formula: $\text{Unit Height} - 1"$

Next drill a 3/16" diameter hole, approximately 1" deep, at each wall location.

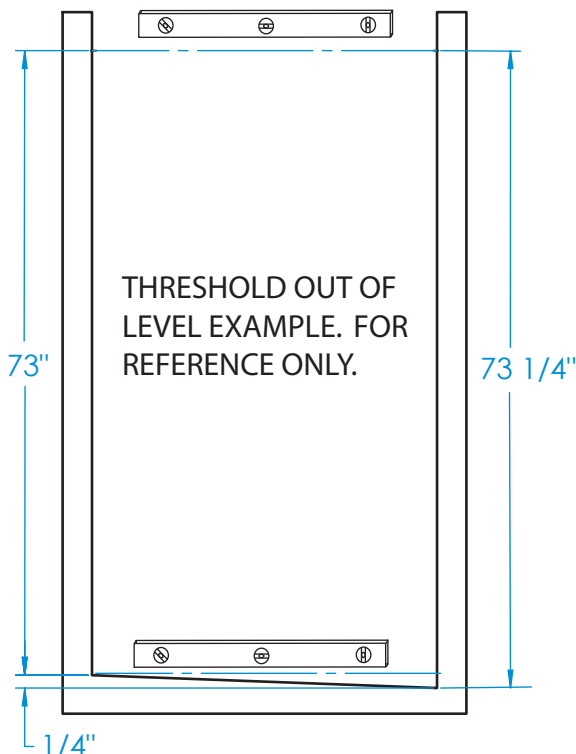
If out of level conditions exist; measure up the "high" side wall centerline a distance of 73" (for a unit 74" height) or $\text{Unit Height} - 1"$ (for custom height), from the threshold, and clearly mark this location. For the wall centerline distance on the "low" side of the threshold, use a level to determine the threshold out of level distance and add this value to 73" (for a unit 74" height) or $\text{Unit Height} - 1"$ (for custom height). Measure this summed distance up the "low" side wall centerline, from the threshold, and clearly mark this location.

Next drill a 3/16" diameter hole, approximately 1" deep, at each wall location. (SEE illustration example.)



****IMPORTANT****

Keep both holes in-line to ensure the header mounts level.



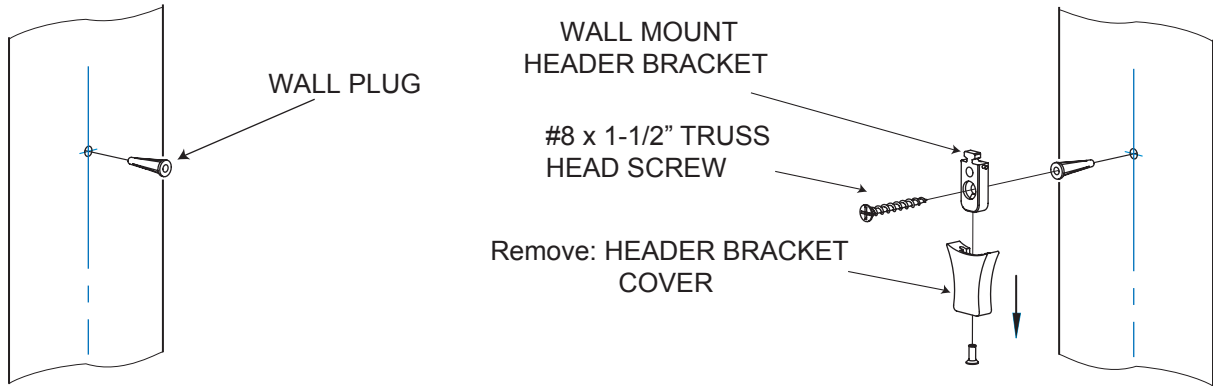
3 Cut the header [A] to the opening size minus 1/16".



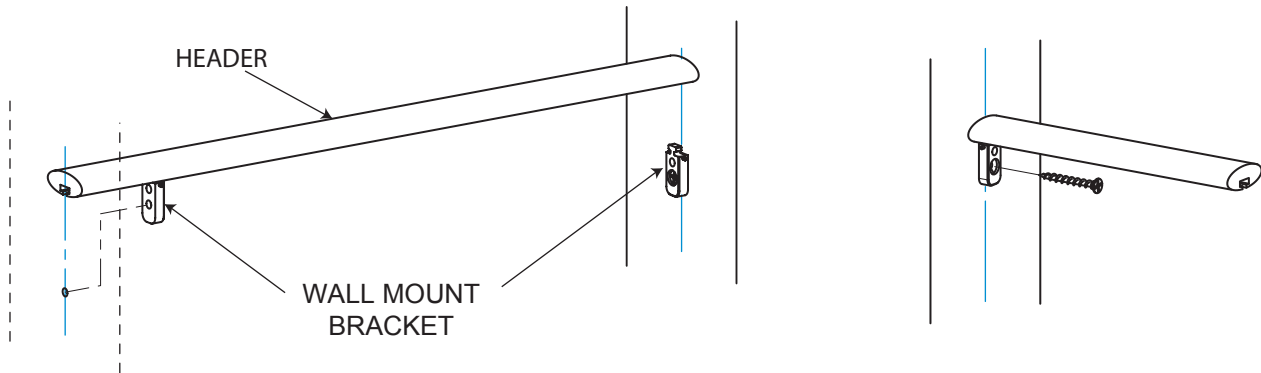
Insert wall plugs [P] into the holes that were drilled into each wall in step 2.

Then carefully cut heads off the wall plugs with a razor knife.

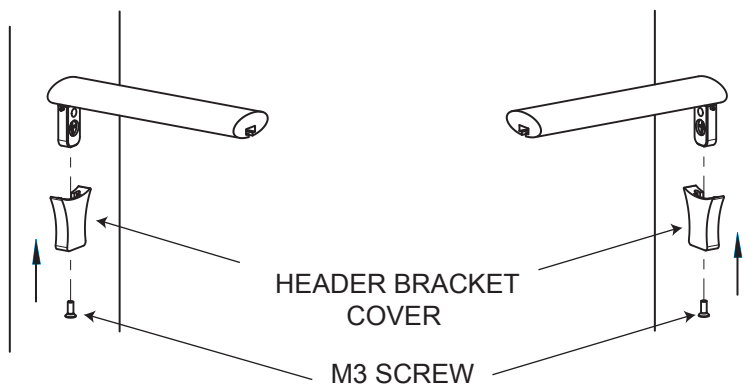
Disassemble one wall mount header bracket [G] and screw the inner part of the bracket [G] into the wall with the #8 x 1-1/2" screw [R].



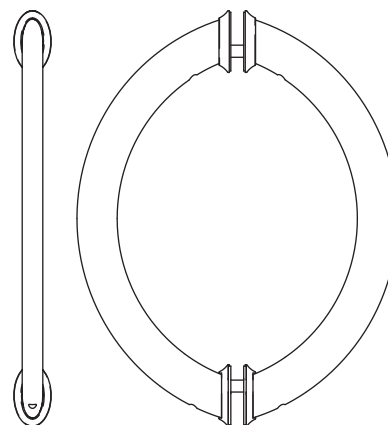
4 Disassemble the second wall mount header bracket [G] and slide inner part of the bracket [G] into the header [A]. Then align T-slot of the header [A] with T-lock of the mounted inner part of wall mount header bracket [G] and slide it in. Line up another end of the header [A] and the header bracket [G] with wall mounting hole and screw the inner part of the bracket [G] into the wall with the #8 x 1-1/2" screw [R].



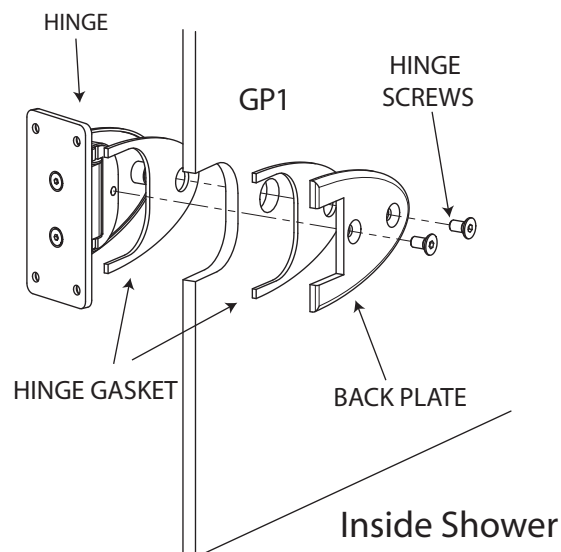
5 Slide the cover of wall mount header brackets [G] over the mounted wall brackets then insert the M3 screw and tighten with Phillips Screwdriver.



6 Place handle on door prior to door installation. See “8” Door Pull Assembly Instruction” located in the back of this instruction. **Do not disassemble or install handle prior to reading the “8” Door Pull Assembly Instruction”.**



7 Wall mount hinges: Using the alcohol pads [Q] wipe the hinge notches and notch gasket areas on both sides of the door [GP1]. Allow glass to dry before continuing. Remove the back plates from both hinges [T]. Place a gasket on the hinge [T] and place fixed part of hinge on the door [GP1]. Next place another gasket between the glass and attach the back plate with the screw provided. Align the hinge on the hinge notch cutout on the door glass, being sure that it is centered up and down and that the edge plate is even with the edge of the glass. Repeat the same process for each hinge.

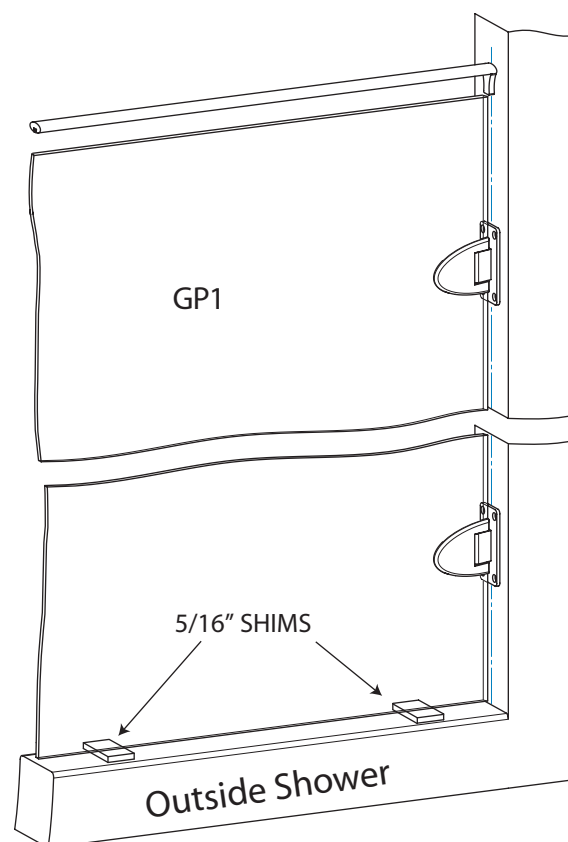


8 Place two 5/16” shims on the curb or threshold. These shims must remain in place throughout the installation process.

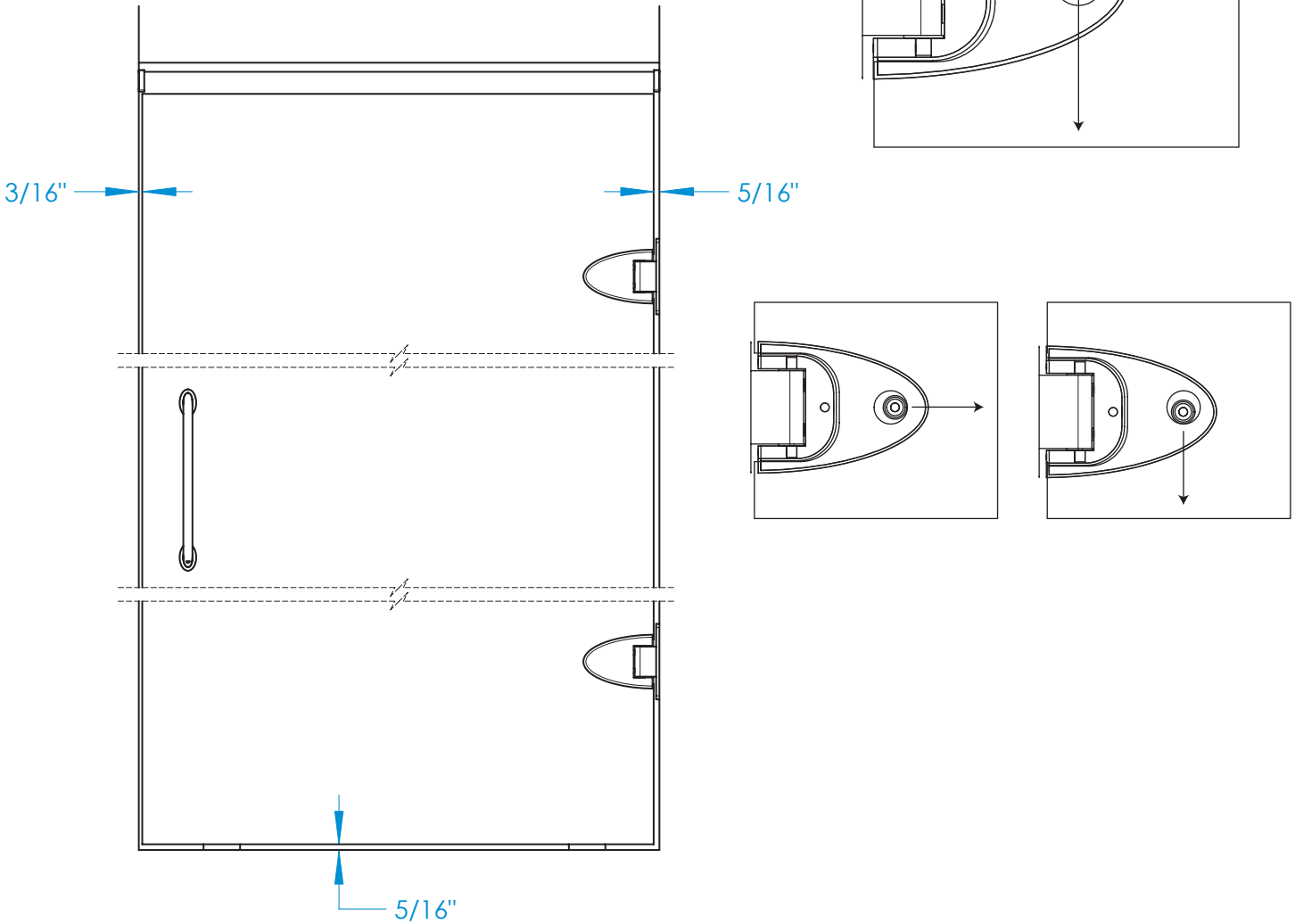
One person must position themselves inside the shower, and have an assistant on the outside. Together, lift the door glass panel into the opening and set the door glass on the shims. Align the door panel on the threshold and wall centerlines.

Once the door is positioned, set a 3/16” clearance between the door [GP1] and wall (handle side). The door must be plumb to allow the hinge pins to align with one another. With the door panel aligned and plumbed, mark the mounting hole locations for both wall mount hinges.

Remove the door glass panel from the opening. Use the marks as a guide and drill 3/16” holes through the wall material. Place a small amount of silicone sealant in each hole. Insert blue anchors and trim head of anchor to ensure flush mounting. Repeat with the other wall mount hinge. Carefully move the door panel [GP1] into the opening. Align the hinges with pre-drilled holes and carefully secure with provided screws.



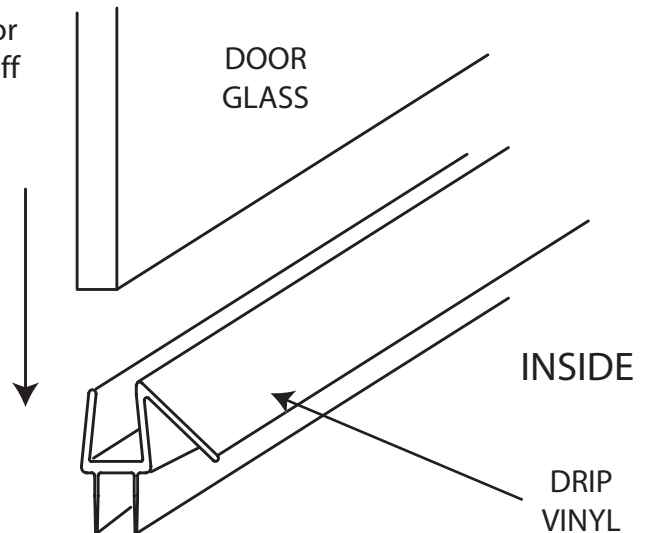
The gap should be $3/16''$ between the door (handle side) and wall;
 $5/16''$ between the door (hinge side) and wall;
 $5/16''$ between the door and threshold at the highest point.
 Re-tighten all screws after final adjustment. If hinges are scratched in the tightening process touch up paint may be used.



9 Place the drip vinyl [D] onto the bottom of the door panel. Line it up on the hinge side of the door and cut it off flush with the strike edge of the door.

NOTE: The sweep may be pulled up or down on the glass to adjust how much of the sweep contacts the threshold.

TIP: Run a small bead of silicone between the drip vinyl and the glass to secure the vinyl sweep and prevent water from collecting inside the sweep if adjusted



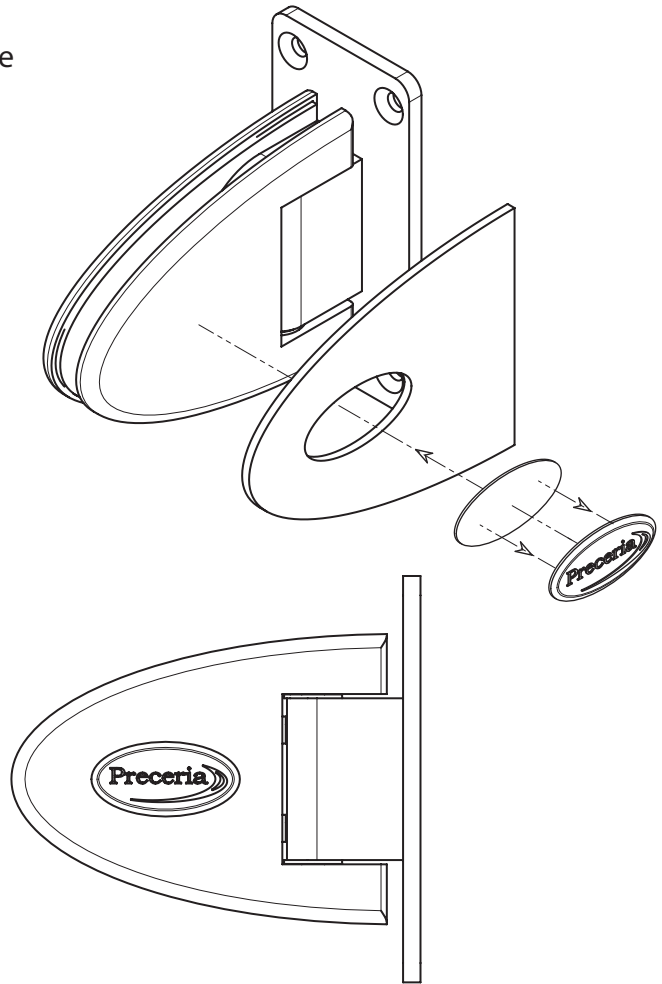
10 Install the Preceria logo [O]. Remove one side of the double sided tape, align and press it into back side of logo. Remove opposite side of the double sided tape. Use the template to place the logo on to the top hinge. Press firmly.



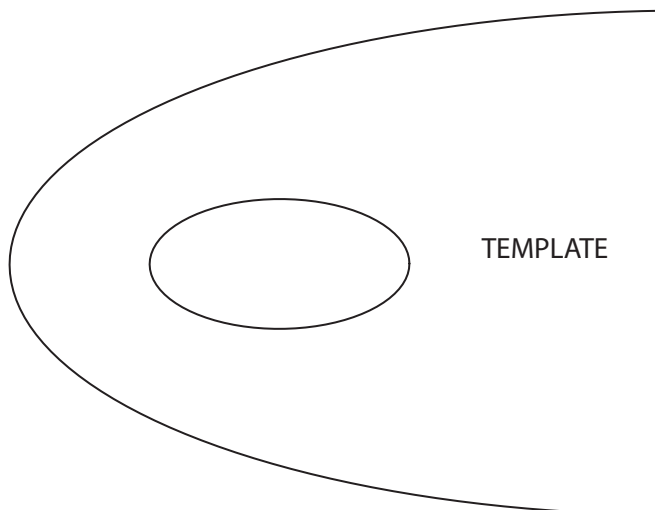
PRECERIA LOGO



DOUBLE SIDED TAPE



Note: Installation of this logo will allow Basco personnel to identify this product if a warranty issue occurs.



8" Door Pull Assembly Instructions

SC4017

The 8" back to back pull contains 6 components, which are as follows: two handles, four handle plates, four handle gaskets, four set screws, two handle pins and two bushings. These components will come partially assembled, and ready to install. **DO NOT** disassemble handle when removing from box. After removing the handle from box, gently pull handle a part from the middle and follow the instructions below.

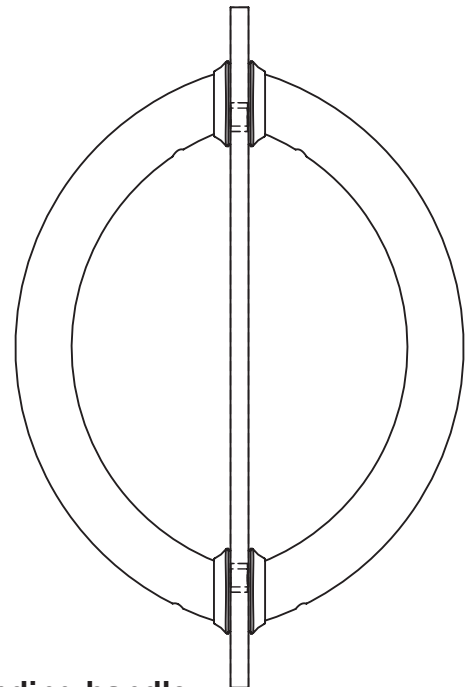
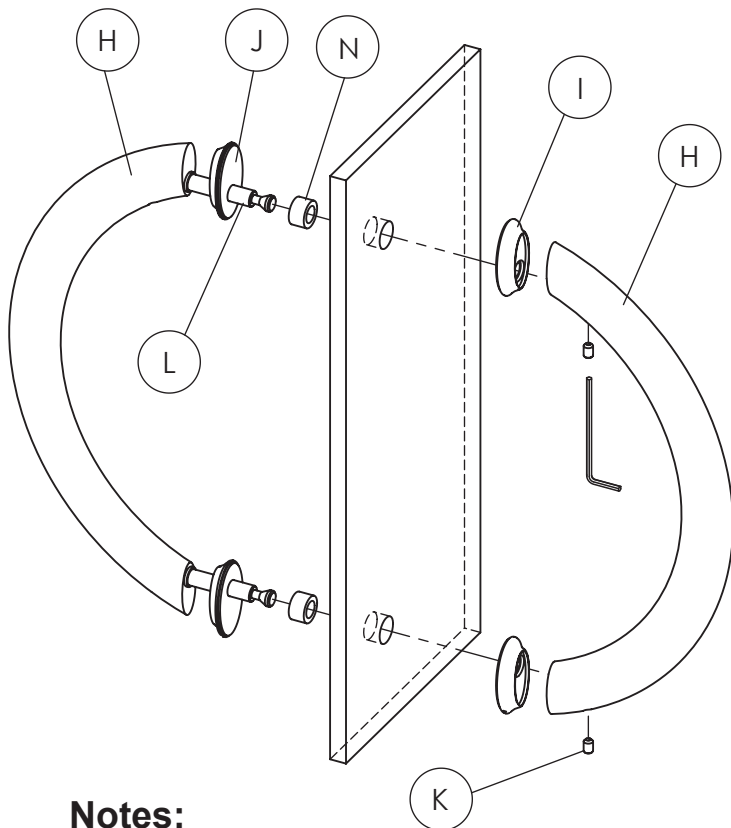
Step 1: Place one handle plate [I] and one gasket over each handle pin.

Step 2: Slide the handle pins through the glass. The mounting holes for the set screws should face downward. After sliding the handle pins through the glass, place a bushing and another handle plate on each of the handle pins.

Step 3: Place the other handle over the handle pins, with mounting hole facing downward. Push the handles sightly together and tighten the set screws (handle without pins) with the allen wrench.

Handle Parts

H	Handle	SC888	2
I	Handle Plate	SC4021	4
J	Handle Gasket	SC4016	4
K	Set Screw		4
L	Handle Pin	SC4215	2
N	Bushing	SC4230	2



Notes:

Make sure both handles are seated in their corresponding handle plates before tightening set screws.

When assembling and removing door pull, hold handle from at the center and push or pull with equal force on both sides.

If removing door pull, loosen all four set screws and gently pull apart from the center of each handle.