

LOGiK

INSTALLATION INSTRUCTIONS

675 Quick 'N Stall Neo Angle Framed Hinge Shower Enclosure



INSTALLATION NOTES: Unpack your unit carefully and inspect for freight damage. Lay out and identify all parts using the instruction sheet as a reference. Before discarding the carton, check to see that no small hardware parts have fallen to the bottom of the box. If any parts are damaged or missing, refer to the descriptions noted in the instructions when contacting your dealer for replacements.

Handle the glass panel(s) carefully and protect the edges.

Please wear safety glasses whenever drilling or cutting. When drilling holes in ceramic tile or marble, use a center punch and hammer to carefully break the surface glaze so the drill bit can start without skidding.

To install your LOGiK Shower Door you will need the following: tape measure, level(s), #2 Phillips screwdriver, drill, 1/8" & 3/16" High Speed Steel drill bits, hacksaw, pencil, sharp knife or razor blade and caulking (clear, mildew resistant silicone recommended). Optional tools include a miter box for cutting metal parts, file, center punch and masking tape. An additional 3/16" Masonry drill bit is recommended for tiled applications.

The door is best installed with two people.

NOTE: Tempered glass cannot be cut.

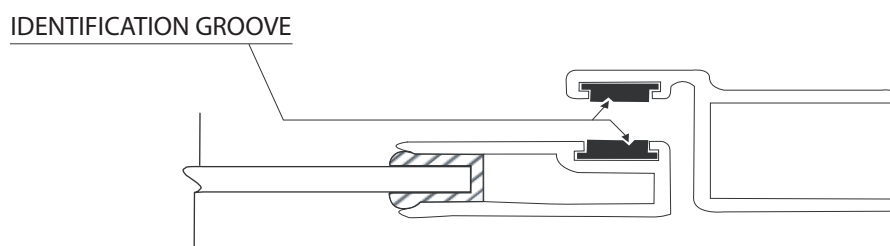
Although safety tempered glass is very resistant to breakage, the glass can still break if unequal pressure is placed on it during installation. Use caution! In addition, the sharp corners of the pane(s) can damage tile and floor surfaces, so its best to handle the glass panels carefully and protect the edges.

MAINTENANCE: Two primary materials are used to manufacture your new LOGiK Shower Enclosure: tempered glass and anodized aluminum. To assure a long lasting finish on the enclosure, wipe it down with a towel after each use. Never use a scouring agent to clean the aluminum.

For occasional, more concentrated cleaning efforts, we recommend using LYSOL Non-Abrasive Bathroom Cleaner works extremely well. Be sure that any over spray falling on the aluminum frame is rinsed thoroughly and dried. Many over-the-counter cleaners, if applied to aluminum and left on, will harm the finish and cause permanent damage, even though their directions indicate safe use on shower doors.

IDENTIFICATION GROOVE

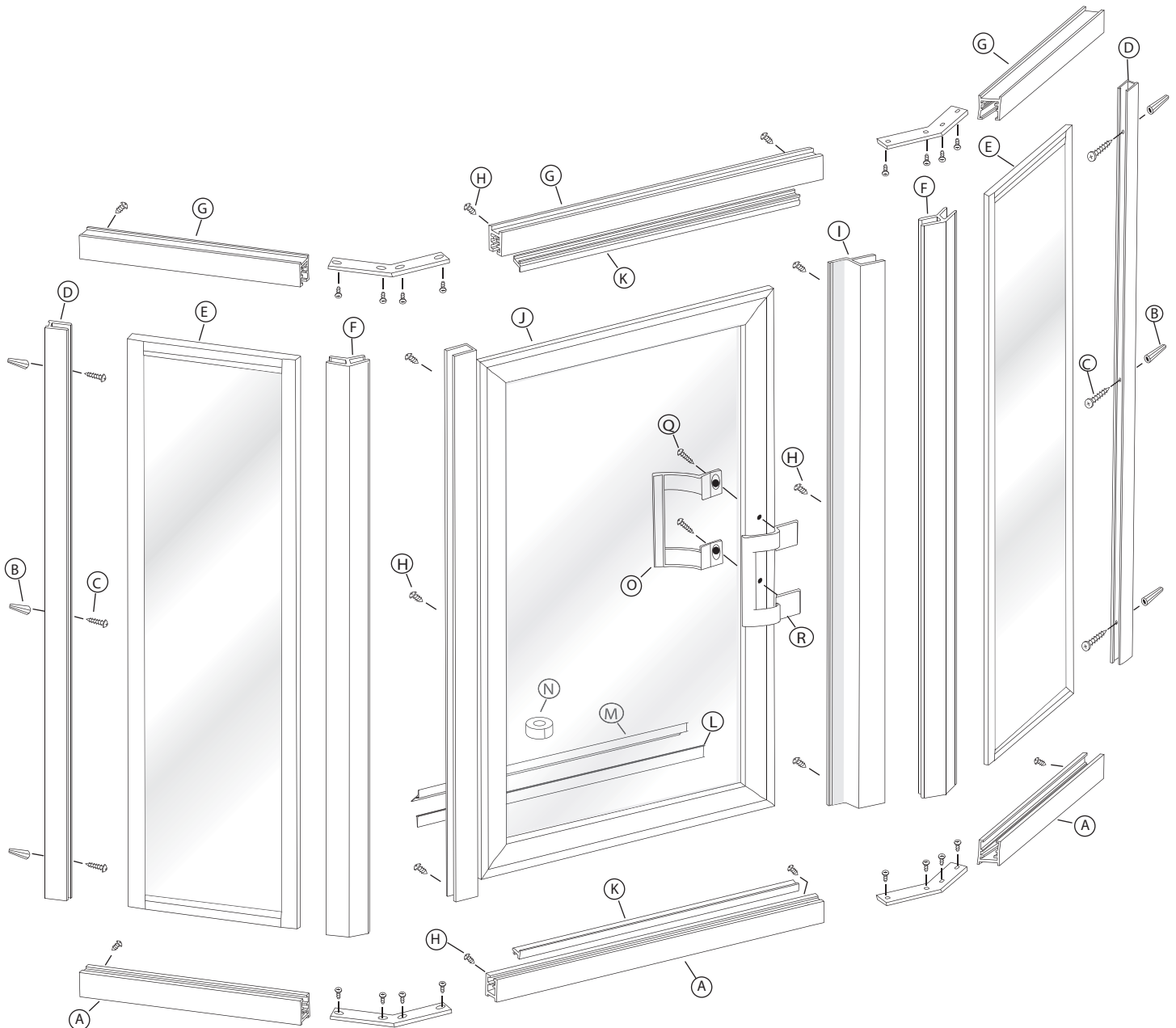
NOTE: Each magnetic strip has an identification groove on the exposed surface. For proper alignment, the grooves should be opposite each other (see detail)



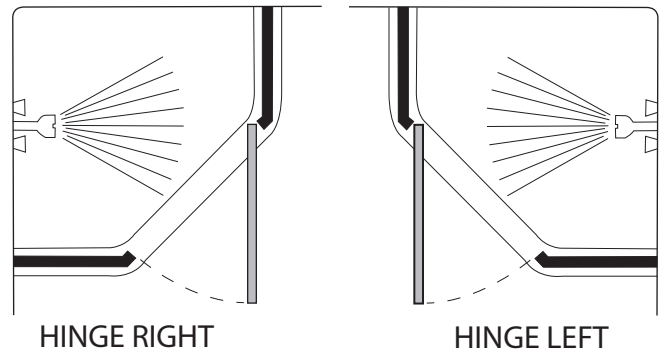
675 Parts List

- A. Curb Assembly (w/ weep holes) (1)
- B. Plastic wall anchor (6)
- C. #8 x 1 1/2" Truss Head Screw (6)
- D. Wall Jamb (2)
- E. Pre-glazed Return Glass Panel (2)
- F. 135° Post (2)
- G. Header Assembly (1)
- H. #8 x 1/4" Truss Head Screw (14)
- I. Strike Jamb (w/ magnet) (1)

- J. Door Panel Assembly (1)
- K. Snap-in Filler (2)
- L. Clear Vinyl (1)
- M. Splash Deflector (1)
- N. Double Stick Tape (1)
- O. Interior Handle (1)
- P. Exterior Handle (1)
- Q. #8-32 X 1/2" Handle Screw (2)



1 The 675 Quick N' Stall Neo Angle Framed Hinge Shower Enclosure is completely reversible and may be installed hinge right or hinge left. For maximum leak protection, the hinge side should be opposite the shower head. Using the illustration, determine the proper hinge side for the door.

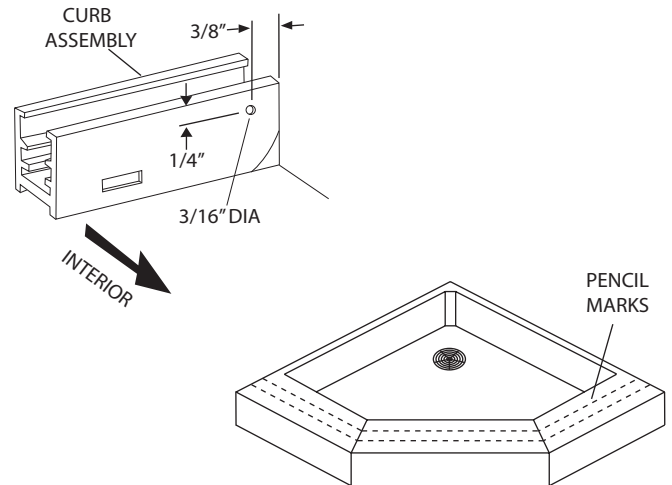


CAUTION: For safety reasons, the door must ***always open outward.***

TIP: Temporarily cover the drain on the inside of the shower with some tape or a large piece of cardboard to prevent small screws, drill bits, etc from disappearing.

2 Using a 3/16" drill bit, drill the interior face of the curb assembly [A] on both ends as shown. These holes may be pre-drilled from the factory.

The curb should sit near the center line of the threshold. If required, use a file to round the corners of the curb assembly to fit between the shower threshold and wall properly. Position the curb assembly on the shower threshold and mark its' location with a pencil line along the inside and outside of all three parts of the metal curb.



3 Place one wall jamb [D] into the curb against the wall. Using a level, plumb the wall jamb and mark the hole locations on the wall with a pencil. Repeat this step for the other wall jamb. Remove all parts and drill the holes.

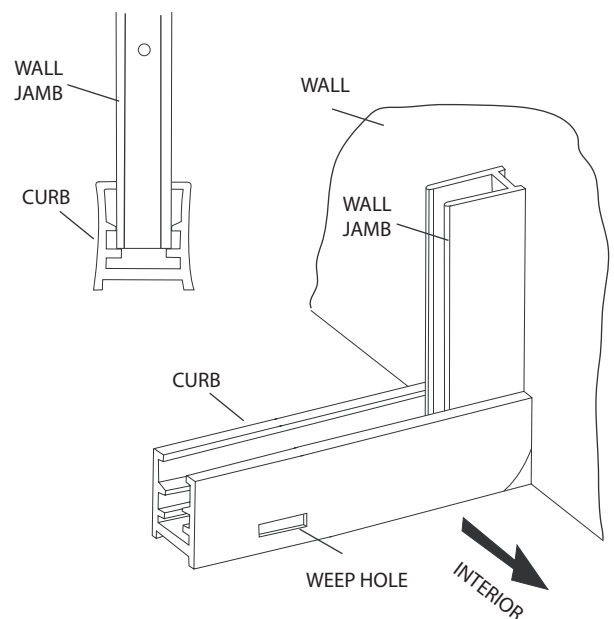
Tile or marble walls:

Drill 3/16" diameter holes into the walls and insert the plastic wall anchors [B].

Fiberglass or acrylic units can be done two different ways:

If the walls are not reinforced, drill 3/16" diameter holes and insert the plastic wall anchors. (Toggle bolts may be used instead but they are not provided).

If the walls are reinforced, only drill 1/8" diameter holes.

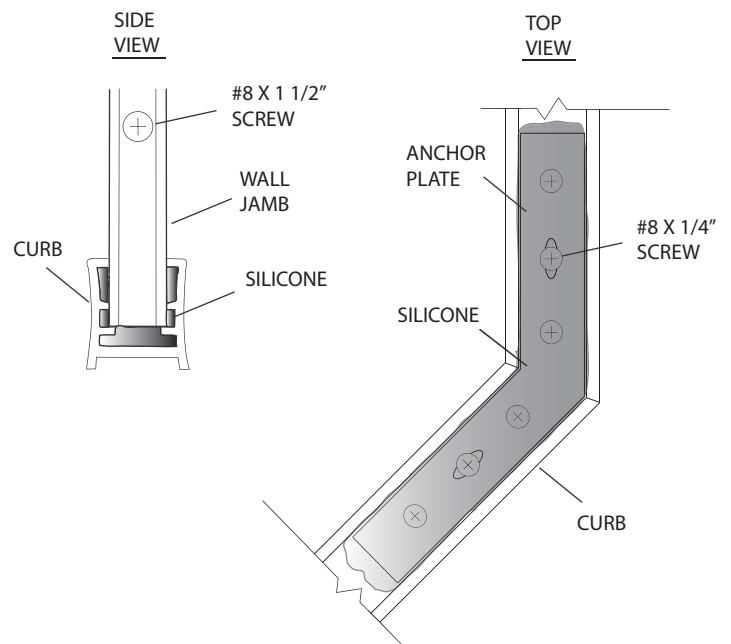
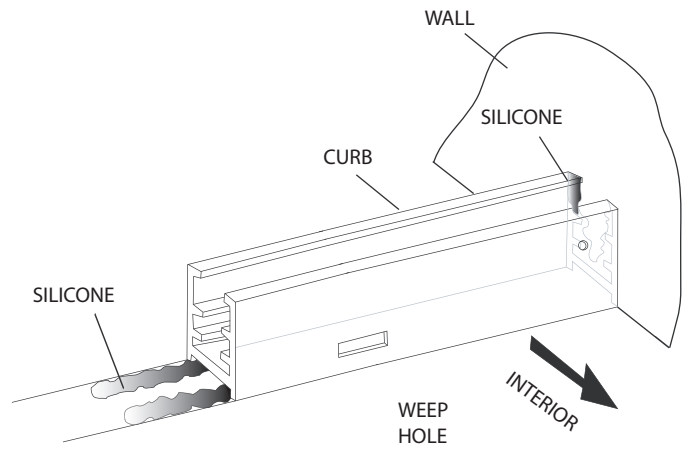


4 Wipe the shower walls, sill, curb & wall jambs with a clean, dry cloth to remove any dust or debris. Apply a 1/4" bead of silicone along the inside of the pencil lines that were marked in Step #2. Carefully place the curb on the sill, over top the silicone, in the position marked.

Silicone the inside of the curb at both ends where it meets the wall, over the anchor plate and screws as well as the inside of the mitered joint. **CAREFUL** not to use an excessive amount of silicone in the curb.

TIP: Angle the tip of the silicone tube so that silicone fills under the two "legs" in the curb that the wall jambs sit on and anchor plate slides into. Smooth out with your finger to remove possible air pockets and force the silicone into the cracks and crevices.

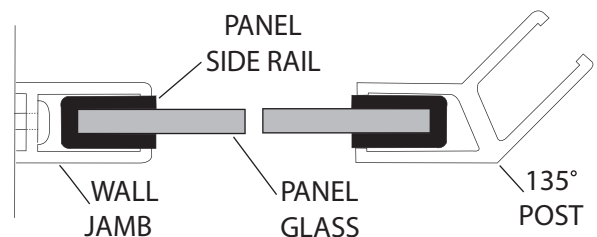
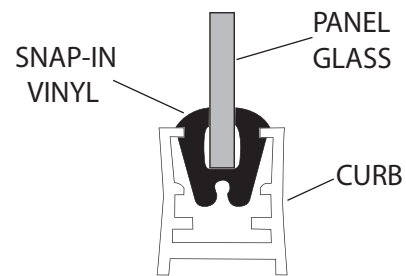
Replace both wall jambs and attach them to the walls with the six #8 x 1 1/2" truss head screws [C].



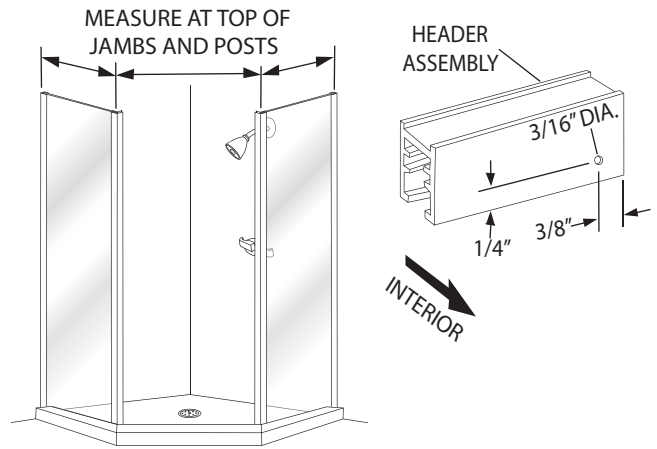
5 Snap one of the return panels [E] into the curb next to the wall jamb. Slide the panel over into the wall jamb. Place a 135° post [F] into the curb. Slide the panel until it is centered between the wall jamb and post. Use masking tape to hold the post in position temporarily.

Repeat the above steps for the other return panel & post.

NOTE: Patterned glass panels should be installed with the rough or patterned surface on the exterior of the enclosure.



6 Using a 3/16" drill bit, drill the interior face of the header assembly on both ends as shown. These hole may be pre-drilled from the factory

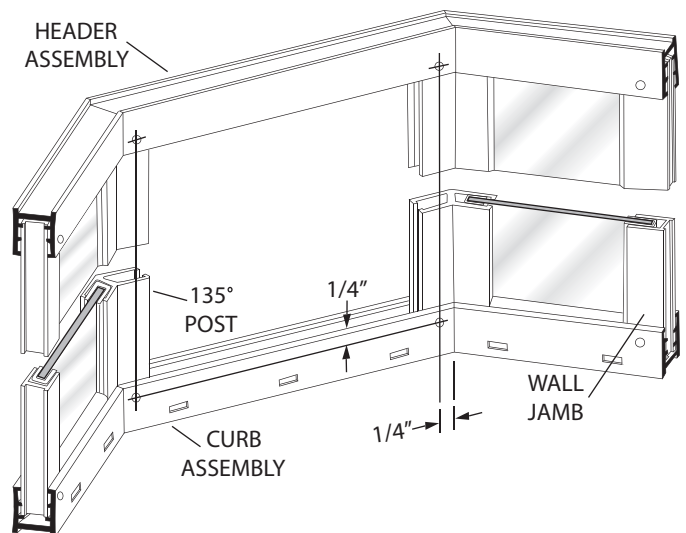


7 Press the header assembly [G] over the wall jambs, 135° posts and pre-glazed return panels. Check the posts for plumb. Adjust as required by varying the overlap of the header and wall jambs. You may need to trim the ends of the header where it meets the wall.

Using the holes in the ends of the header and curb as a guide, drill four 1/8" holes into the wall jambs.

Drill 1/8" holes thru the header and curb into both 135° posts as shown. Enlarge the holes in the header and curb only with a 3/16" drill bit for clearance of the screws.

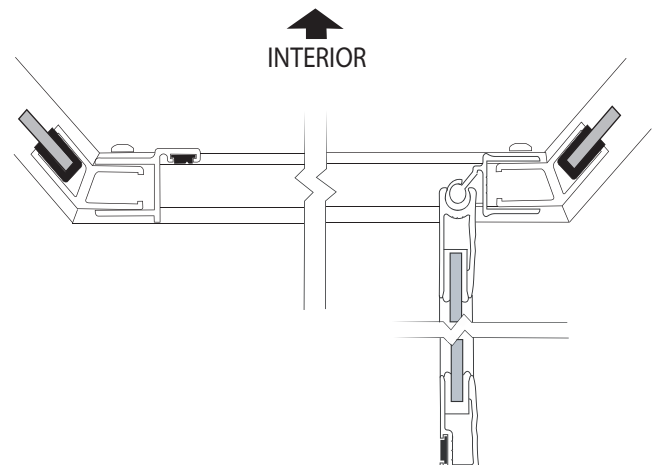
Secure the header and curb to the wall jambs and posts using eight #8 x 1/4" truss head screws [H].



8 Slide the strike jamb [I] over one of the posts. Temporarily hold in place with tape.

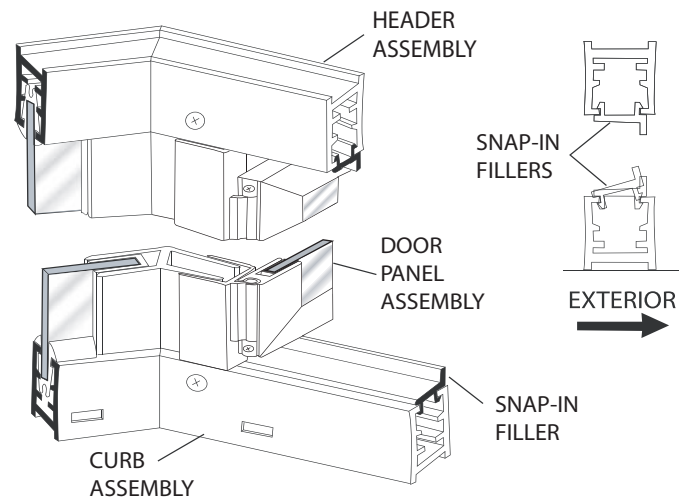
Grab the door panel assembly [J]. With the inside of the door facing you, slide the hinge jamb over the other 135° post.

Be sure the door will only open outward.



9 Keeping the door in the open position, press the snap-in fillers [K] into the curb and header between the hinge and strike jambs. **BE SURE THE RAISED LIP IS TO THE EXTERIOR** (see illustration).

NOTE: The snap-in fillers should be 5/16" longer than the door panel width.



10 Pull the hinge jamb tight against the snap-in fillers forcing them to sit tight to the strike jamb. There should be a 1/8" clearance between the strike jamb and the edge of the strike jamb with the door being in the closed position.

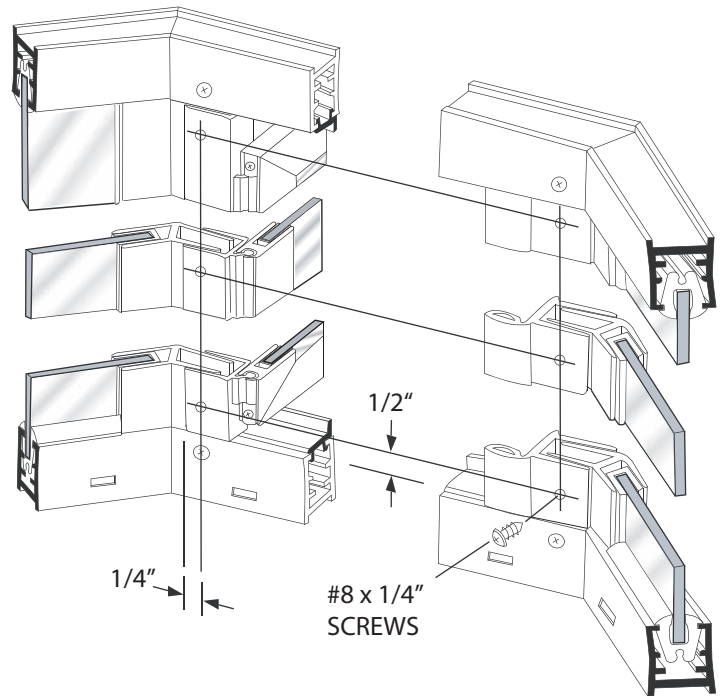
Inside the shower enclosure, be sure there is an even reveal across the top of the door and the under side of the snap-in filler. Drill two 1/8" holes through the hinge jamb of the door panel assembly and into the 135° post 1/4" from the edge of the hinge jamb and approximately 1/2" down from the top and 1/2" up from the bottom.

Drill a third hole centered between the first two.

CAREFULLY enlarge the three holes in the jamb, *not the post*, to allow clearance for the screws.

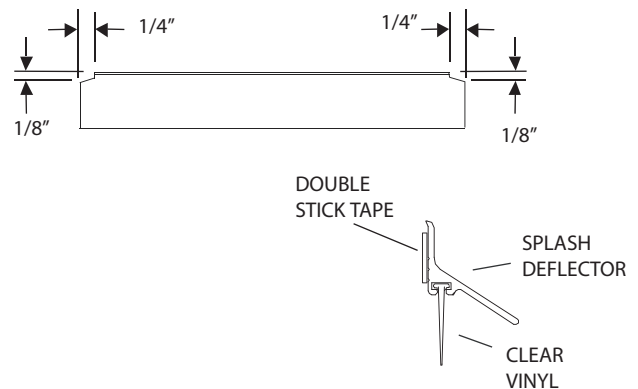
Attach the door panel assembly permanently with three #8 x 1/4" pan head screws.

Pull the strike jamb tight against the snap-in fillers and attach following the same steps above.



11 Cut the clear vinyl [L] 1/2" longer than the splash deflector [M] and notch it as shown. Slide the vinyl into the deflector and crimp or glue the ends to keep the vinyl in place.

Clean the bottom door rail and the splash deflector thoroughly with denatured alcohol to ensure proper adhesion. Unroll the double stick tape [N] and carefully apply it to the flat back side of the splash deflector. (**DO NOT** peel the tape backing yet)

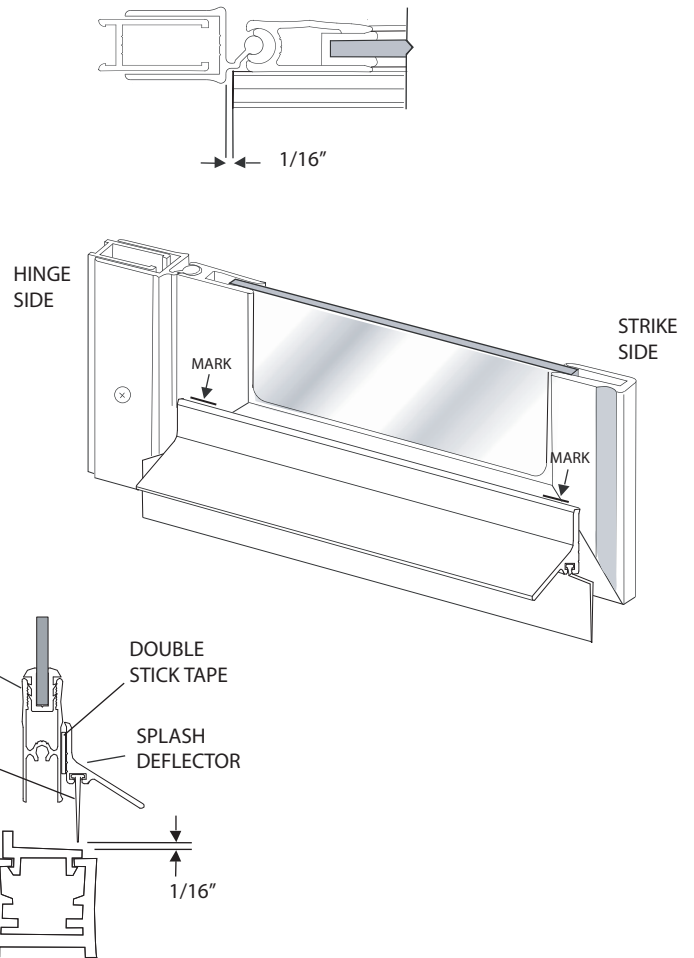


12 Position the deflector so that the bottom of the vinyl is 1/16" from the curb, and the deflector is 1/16" from the continuous hinge jamb. (see illustration)

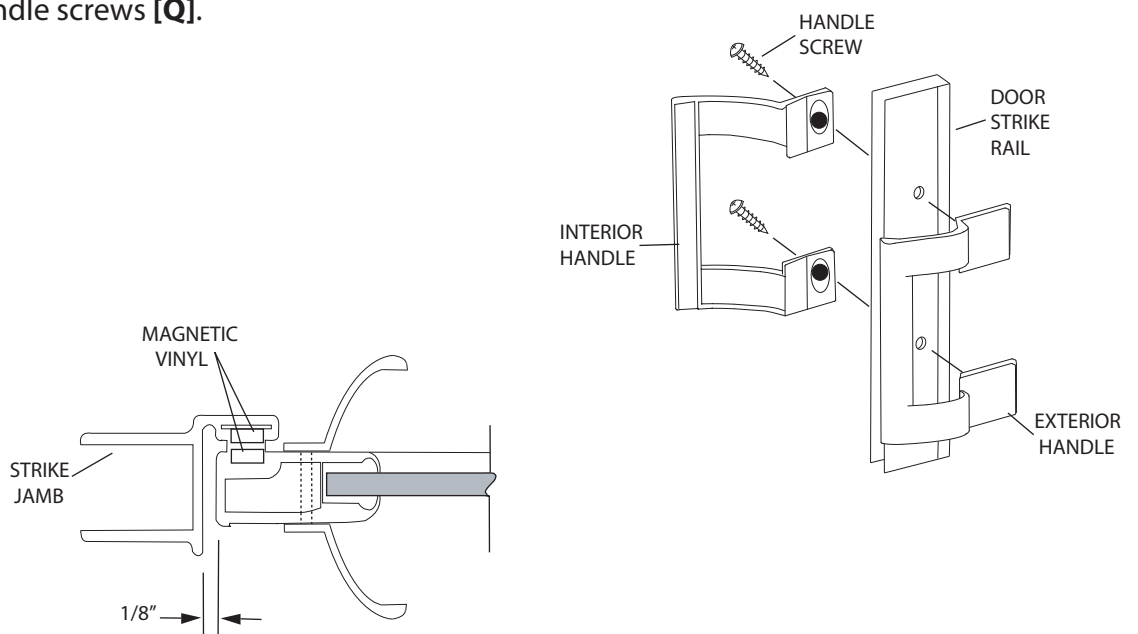
Mark the horizontal location of the drip rail on both sides of the door rail.

Remove the tape backing and apply the deflector to the door rail using the marks as a guide.

TIP: Run a small bead of silicone at the top of the deflector where it meets the door rail.



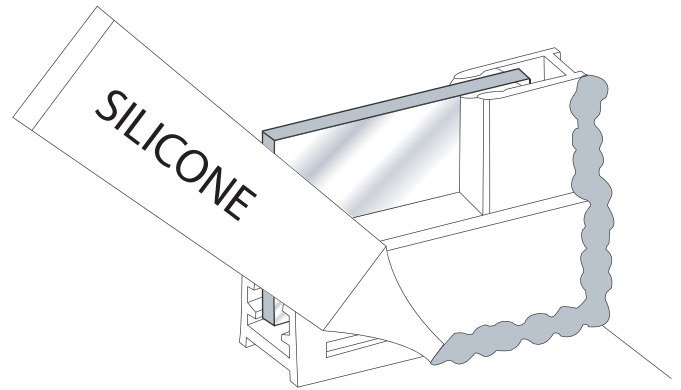
13 Attach the interior door handle [O] and exterior door handle [P] to the door panel with the two #8-32 x 1/2" handle screws [Q].



14 Carefully silicone the seam between the walls and the wall jambs as well as the curb and threshold on the inside of the shower.

NOTE: Silicone on the exterior seam is optional.

DO NOT USE the shower until the silicone is completely cured. Check the tube of silicone for the manufacturer recommended cure time. (typically 24 - 48 hours)



NOTE: Do not silicone over the weep holes

SPECIAL NOTE: Due to the design of the pre-glazed return panels and the adjustment of this enclosure, the panels might “rattle” inside the wall jambs and corner posts. To prevent or quiet the “rattle”, inject several small dabs of silicone into the wall jambs and corner posts from the interior. (see illustration)

