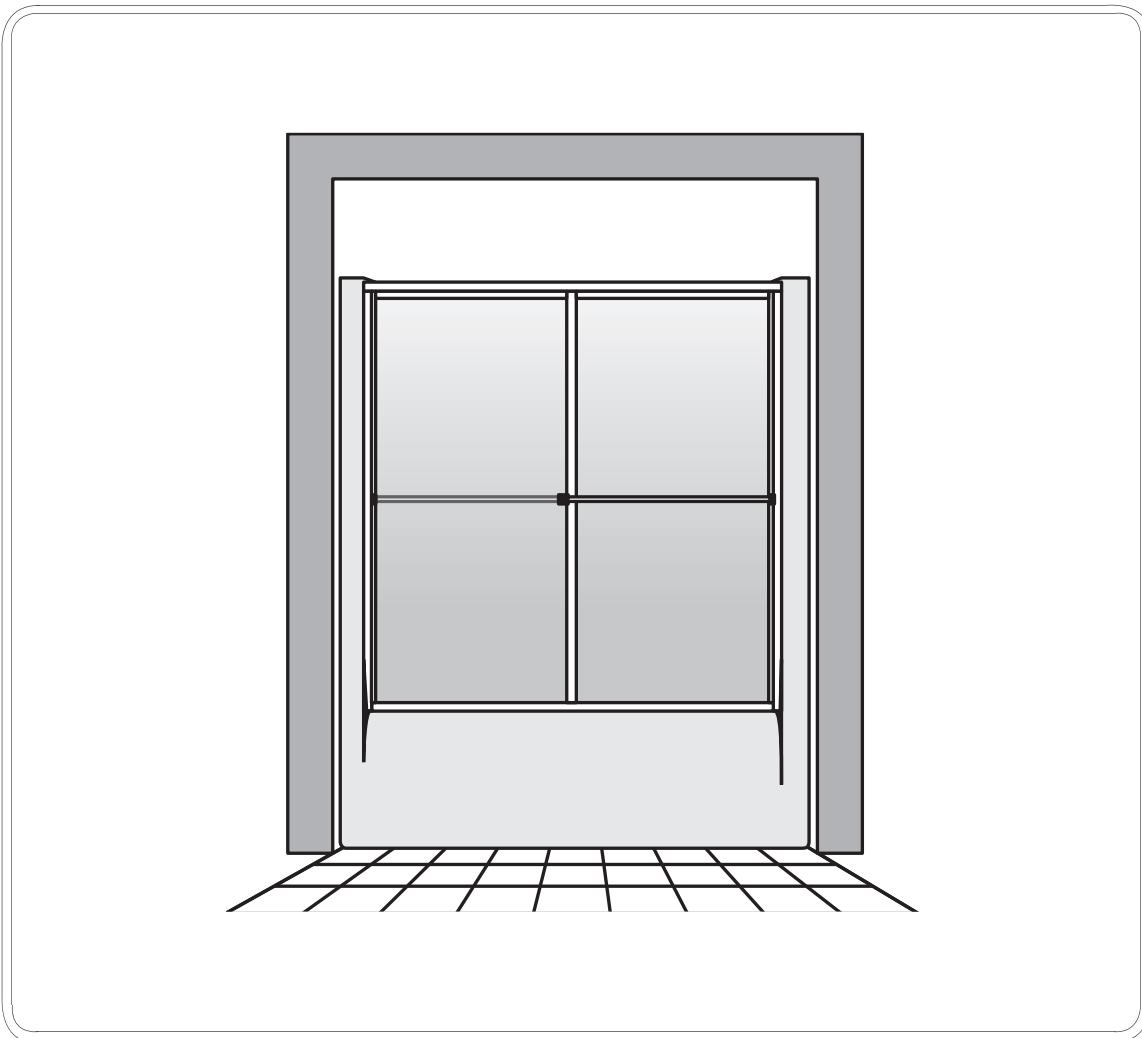


LOGiK

INSTALLATION
INSTRUCTIONS

8775 - TUB
9775 - SHOWER
Framed Sliding
Enclosure



INSTALLATION NOTES: Unpack your unit carefully and inspect for freight damage. Lay out and identify all parts using the instruction sheet as a reference. Before discarding the carton, check to see that no small hardware parts have fallen to the bottom of the box. If any parts are damaged or missing, refer to the descriptions noted in the instructions when contacting your dealer for replacements.

Handle the glass panel(s) carefully and protect the edges.

Please wear safety glasses whenever drilling or cutting. When drilling holes in ceramic tile or marble, use a center punch and hammer to carefully break the surface glaze so the drill bit can start without skidding.

To install your LOGiK Shower Door you will need the following: tape measure, level(s), #2 Phillips screwdriver, drill, 1/8" & 3/16" High Speed Steel drill bits, hacksaw, pencil, sharp knife or razor blade and caulking (clear, mildew resistant silicone recommended). Optional tools include a miter box for cutting metal parts, file, center punch and masking tape. An additional 3/16" Masonry drill bit is recommended for tiled applications.

The doors are best installed with two people.

NOTE: Tempered glass cannot be cut.

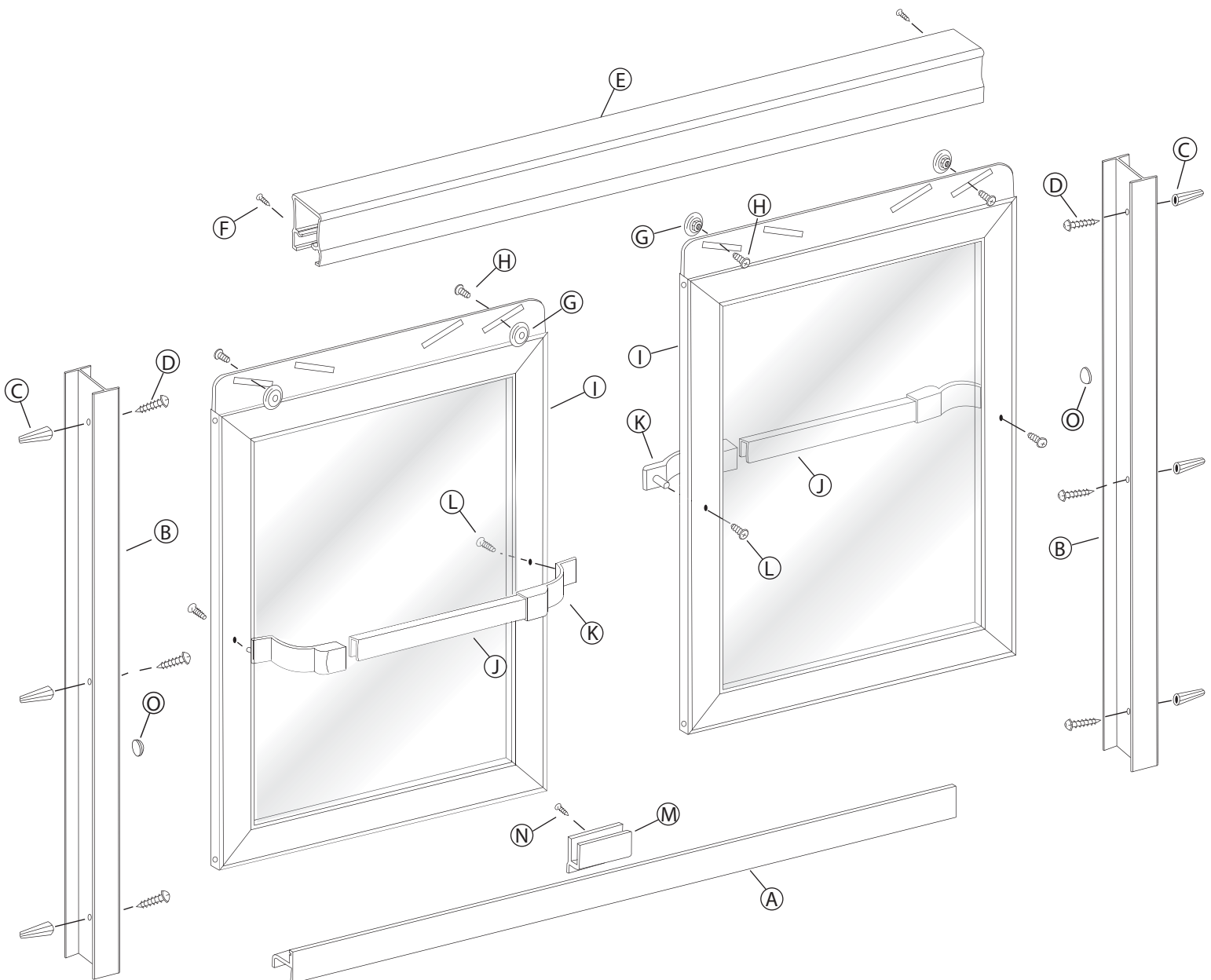
Although safety tempered glass is very resistant to breakage, the glass can still break if unequal pressure is placed on it during installation. Use caution! In addition, the sharp corners of the pane(s) can damage tile and floor surfaces, so its best to handle the glass panels carefully and protect the edges.

MAINTENANCE: Two primary materials are used to manufacture your new LOGiK Shower Enclosure: tempered glass and anodized aluminum. To assure a long lasting finish on the enclosure, wipe it down with a towel after each use. Never use a scouring agent to clean the aluminum.

For occasional, more concentrated cleaning efforts, we recommend using LYSOL Non-Abrasive Bathroom Cleaner works extremely well. Be sure that any over spray falling on the aluminum frame is rinsed thoroughly and dried. Many over-the-counter cleaners, if applied to aluminum and left on, will harm the finish and cause permanent damage, even though their directions indicate safe use on shower doors.

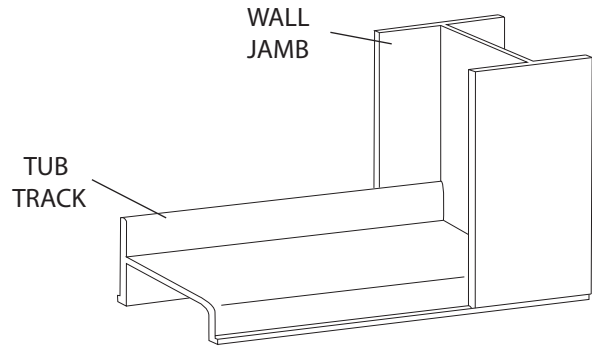
8775 / 9775 Parts List

- | | |
|--------------------------------------|--------------------------------------|
| A. Tub Track with Vinyl Silencer (1) | I. Glazed Door Panel (2) |
| B. Wall Jamb (2) | J. Towel Bar (2) |
| C. Plastic Wall Anchor (6) | K. Towel Bar Bracket (4) |
| D. #8 x 1 1/2" Truss Head Screws (6) | L. #8-32 x 3/8" Truss Head Screw (4) |
| E. Header (1) | M. Nylon Bottom Guide (1) |
| F. #8 X 3/8" Truss Head Screw (2) | N. #6 x 3/8" Truss Head Screw (1) |
| G. Nylon Roller (4) | O. Clear Jamb Bumper (4) |
| H. #8-32 x 3/8" Hex Head Screw (4) | |



1 Measure the wall-to-wall opening at the center of the tub rim. Cut the tub track **[A]** 1 1/8" short of this dimension. An inexpensive miter box (available at your local hardware store) will help you get clean square cuts.

Position the tub track in the center of the tub rim leaving 9/16" of open space between the end of the track and the wall on each side. Mark the position of the track with a pencil along the inside and outside of the track.



2 Place one wall jamb **[B]** against the wall and inside the open space between the curb. Using a level, plumb the wall jamb and mark the hole locations on the wall with a pencil. Repeat this step for the other wall jamb. Mark along both inside and outside of the track. Remove all parts and drill the holes.

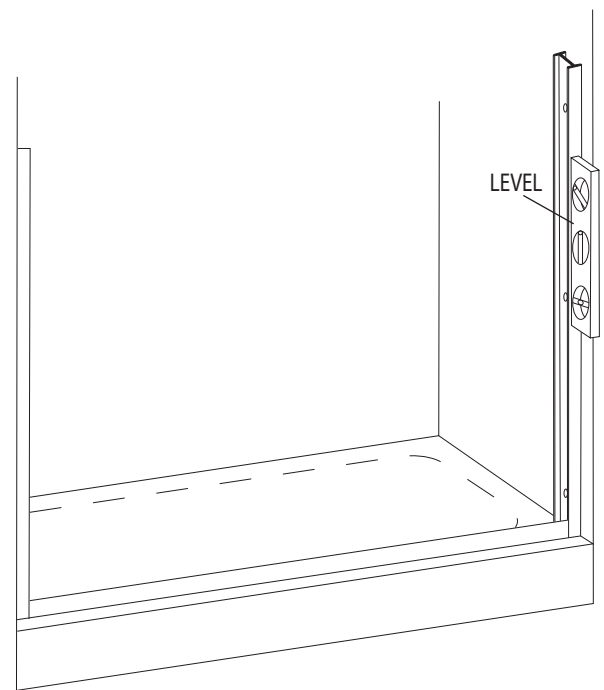
Tile, marble or solid surface walls:

Drill 3/16" diameter holes into the walls and insert the plastic wall anchors **[C]**.

Fiberglass or acrylic units can be done two different ways:

If the walls are not reinforced, drill 3/16" diameter holes and insert the plastic wall anchors. (Toggle bolts may be used instead but they are not provided).

If the walls are reinforced, only drill 1/8" diameter holes.

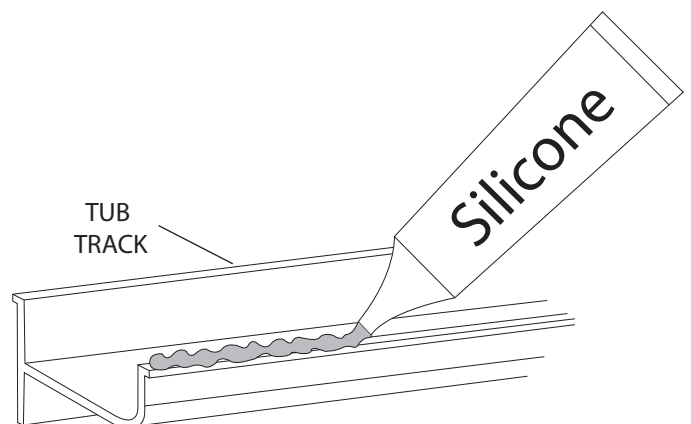


3 Before replacing the tub track, gently force a slight bow in the part so that the middle will sit on the threshold and both sides are slightly raised. (This will ensure that the track fits tight to the threshold when installed)

Run a thin bead of silicone along the bottom legs of the tub track. (see illustration)

Carefully place the tub track back onto the threshold in the exact position as marked in step #1.

Attach the wall jambs using the #8 x 1 1/2" truss head screws **[D]**.



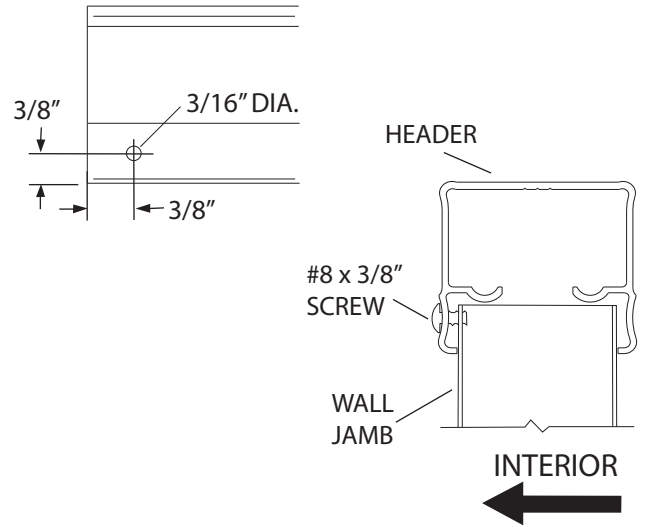
4 Measure the wall-to-wall opening at the top of the wall jambs. Cut the header **[E]** 1/16" short of that dimension.

Drill a 3/16" hole into each end of the header as illustrated.

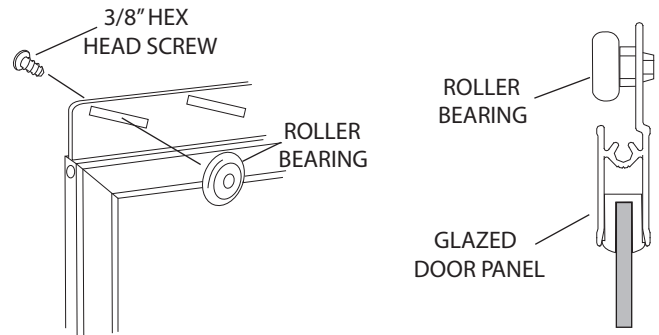
Place the header over both wall jambs so that the holes are on the inside of the tub/shower.

Using the holes in the header as a guide, drill a 1/8" hole into each wall jamb.

Attach the header using the #8 x 3/8" truss head screw **[F]**.



5 Attach two rollers **[G]** to each panel using the #8-32 x 3/8" hex head screws **[H]** centered in the punched slots. Install the rollers so that they hang over the glass. (see illustration)

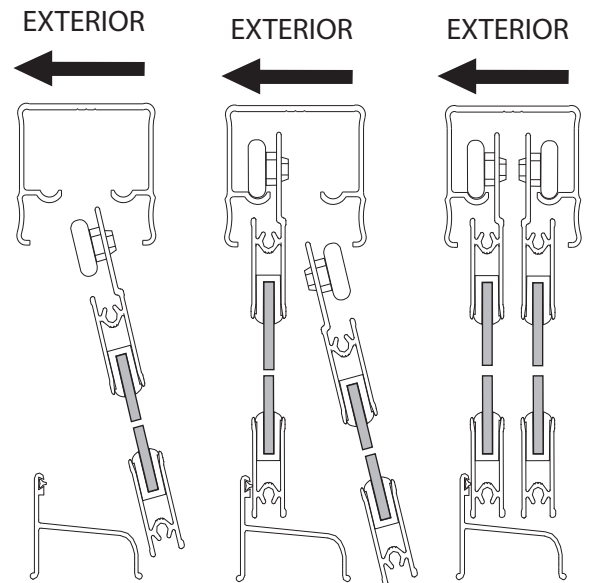


6 Place one door panel **[I]** on the inside of the tub/shower with the rollers facing the back wall and the textured side of the panel facing the outside (if applicable). Set it on a drop cloth or piece of cardboard to protect the tub/shower surface from the metal corners.

From the outside of the tub/shower, grab the other panel with the rollers (and textured side of glass) facing you and lift the panel. Lower it into the tub/shower and then lift it into the header. Be sure the bracket fins and rollers are above the track groove. Carefully lower the panel until the rollers are seated into the groove.

Slide the panel to one side and step inside the tub/shower. Raise the panel at an angle and install similar to the outside panel.

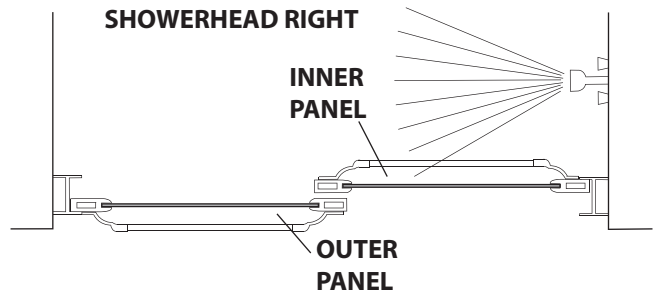
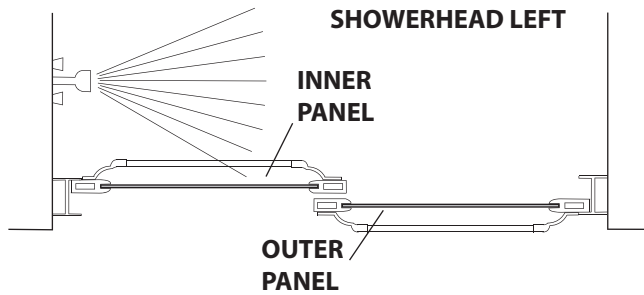
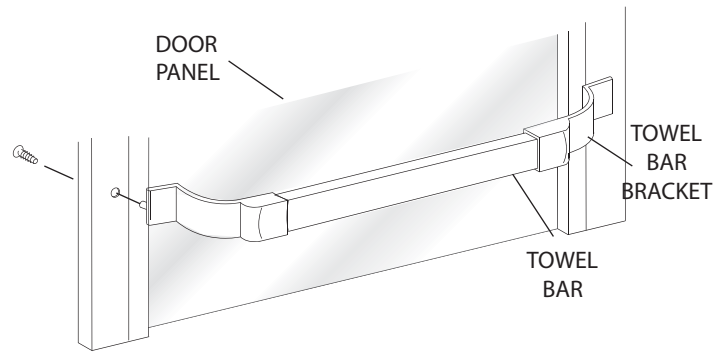
Check for alignment along the bottom and sides of each panel and adjust the rollers as necessary.



NOTE: Be sure that there is enough space under the inside door panel for it to clear the bottom guide. Adjust accordingly.

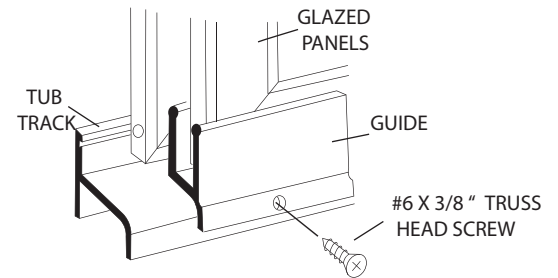
7 Slide the towel bar [J] into the two towel bar brackets [K]. Attach the two towel bar brackets to the exterior door panel with two #8 - 32 x 3/8" truss head screws [L]. Repeat for the other door panel.

NOTE: Outer panel has towel bar facing Out.
Inner panel has towel bar facing In.



8 Slide both panels to one side of the opening. Center panel guide [M] on the track under interior door panel as shown. Using the hole in the panel guide, drill a 1/8" hole into the track.

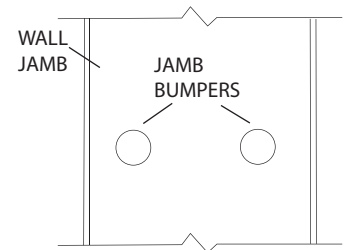
Attach panel guide with a #6 x 3/8" truss head screw [N].



9 Slide each panel against one of the wall jambs. Remove the paper backing and place a clear jamb bumper inside [O] the wall jamb so that it prevents the door panel from hitting against the wall jamb.

Repeat for the other wall jamb.

NOTE: Depending on adjustments, the jamb bumpers might not line up horizontally.



10 Neatly silicone each end of the tub track where it fits into the wall jambs as well as the seam between the wall and the wall jamb and the curb and threshold on the inside of the shower.

NOTE: Silicone on the exterior seam is optional.

NOTE: DO NOT USE the shower until the silicone is completely cured. Check the tube of silicone for the manufacturer recommended cure time. (typically 24 - 48 hours)

