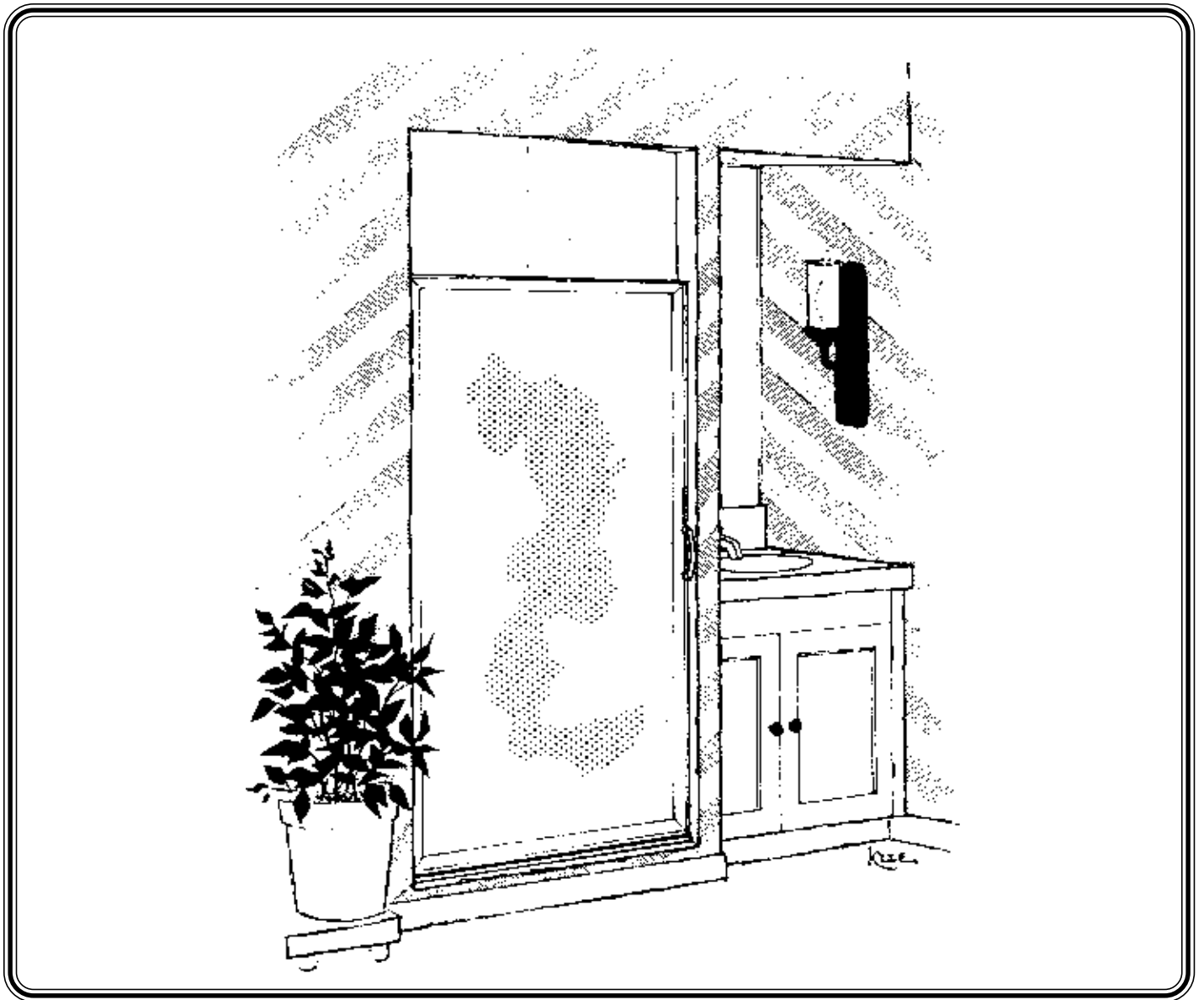




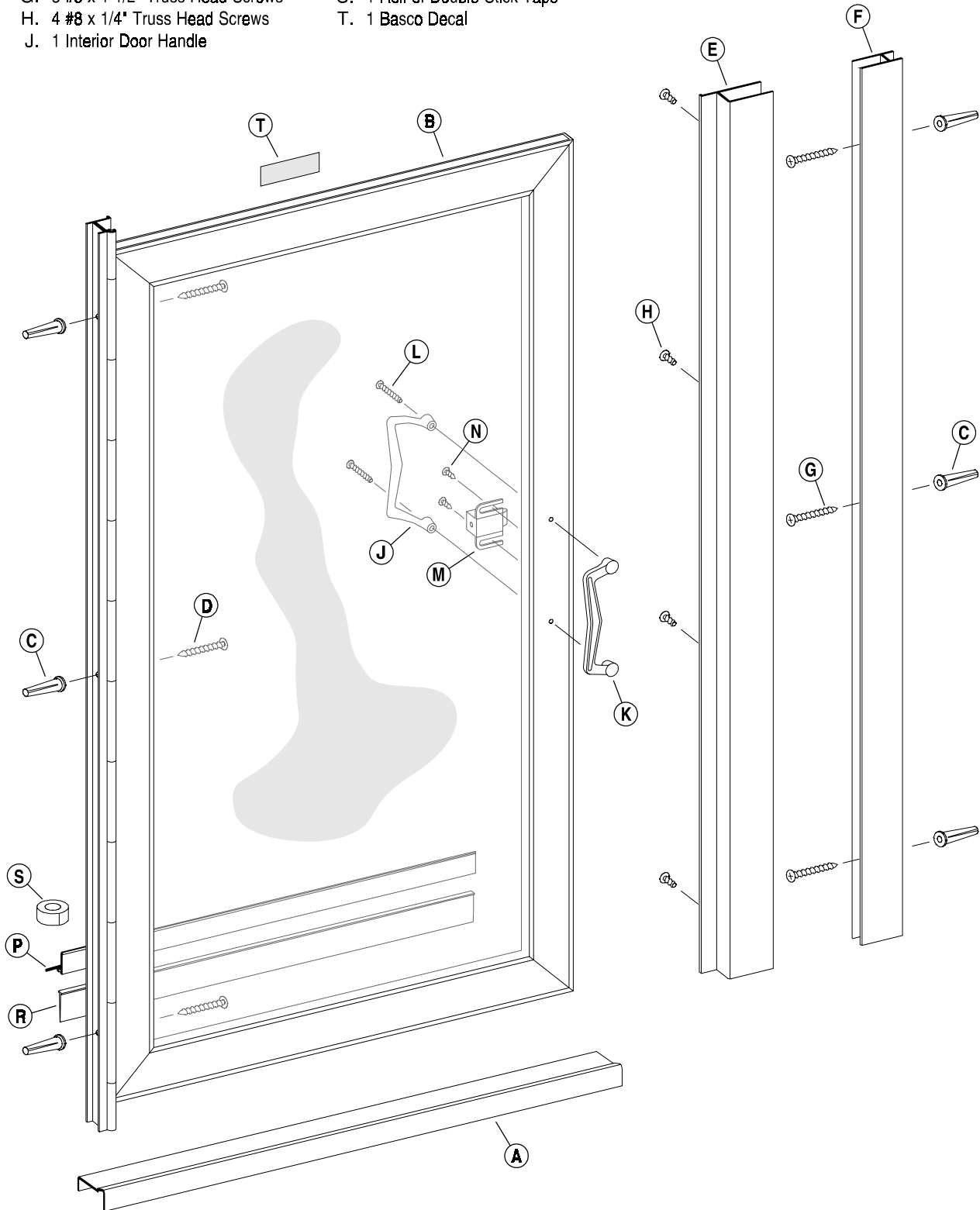
INSTALLATION
INSTRUCTIONS

UNIT No. 15 & 16 SHOWER DOOR



15/16 Parts List

- | | |
|------------------------------------|-----------------------------------|
| A. 1 Curb | K. 1 Exterior Door Handle |
| B. 1 Door & Hinge Jamb Assembly | L. 2 #8 x 1 1/8" Oval Head Screws |
| C. 6 Plastic Wall Anchors | M. 1 Door Latch |
| D. 6 #8 x 1 1/2" Flat Head Screws | N. 2 #6 x 1/4" Pan Head Screws |
| E. 1 Strike Jamb | P. 1 Splash Deflector |
| F. 1 Wall Jamb | R. 1 Clear Vinyl Wiper |
| G. 3 #8 x 1 1/2" Truss Head Screws | S. 1 Roll of Double-Stick Tape |
| H. 4 #8 x 1/4" Truss Head Screws | T. 1 Basco Decal |
| J. 1 Interior Door Handle | |



MAINTENANCE: Two primary materials are used to manufacture your new Basco enclosure; tempered glass and anodized aluminum. To assure a long lasting finish on the enclosure, wipe it down with a towel after each use. Never use a scouring agent to clean the aluminum.

For occasional, more concentrated cleaning efforts, we find that ***Comet Non-Abrasive Bathroom Cleaner*** works extremely well. Be sure that any overspray falling on the aluminum frame is rinsed thoroughly and dried. Many over-the-counter cleaners, if applied to the aluminum and left on, will harm the metal finish and cause permanent damage, even though their directions indicate safe use on shower doors.

INSTALLATION NOTES: Unpack your unit carefully and inspect for freight damage. Lay out and identify all parts using the instruction sheets as a reference. Before discarding the carton, check for small hardware bags that tend to fall to the bottom of the box. If any parts are damaged or missing, refer to the descriptions noted in the instructions when contacting your dealer for replacements.

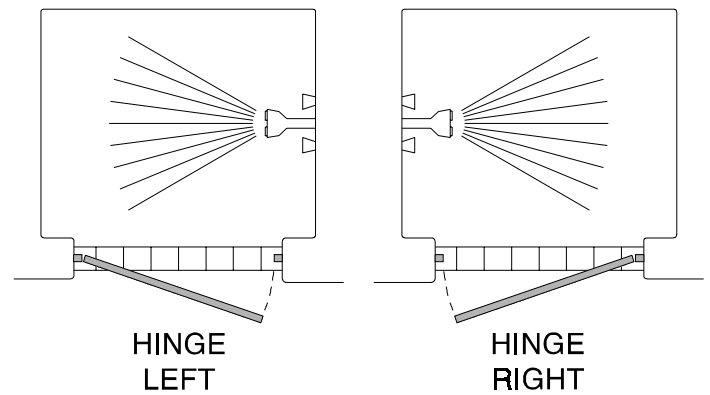
Handle glazed panels carefully and protect the edges. Safety tempered glass is very resistant to breakage, but the sharp corners of the panels can damage tile and floor coverings.

Please wear safety glasses whenever drilling or cutting. When drilling holes in ceramic tile or marble, use a center punch and hammer to carefully break the surface glaze so the drill can start without skidding.

To install your Basco Shower Door you will need the following: tape measure, level, #2 Phillips screwdriver, drill, 1/8" and 3/16" drill bits, hacksaw, pencil, and caulking (clear silicone recommended). Optional tools include a miter box for cutting parts to length, files, center punch, clear glue and masking tape.

1 The Basco15/16 Hinged Shower Door is completely reversible and may be installed hinge-left or hinge-right. Refer to the illustration to determine the correct position for your installation. For maximum waterproofing, the hinge jamb should always be opposite the shower head. These instructions depict a hinge-left installation.

CAUTION: For safety, the door must always open *outward*.

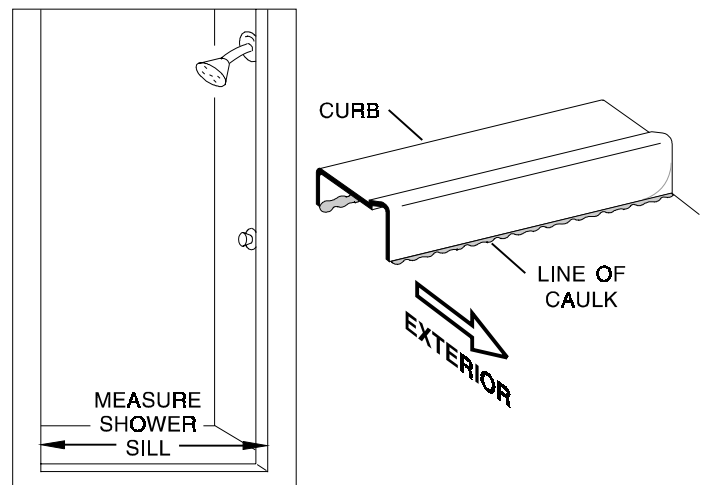


2 NOTE: The 15/16 unit may be installed without using the sloped curb [A] provided. Its use is definitely recommended for positive water control on shower sills with little or no slope.

Measure the wall-to-wall opening at the shower sill and cut the curb to the exact length. File the ends of curb as necessary to fit the corner contours of the enclosure. Place the curb on the shower sill with the raised portion to the exterior of the enclosure. Make sure the curb is centered on the sill and lightly mark its position on the sill with a pencil.

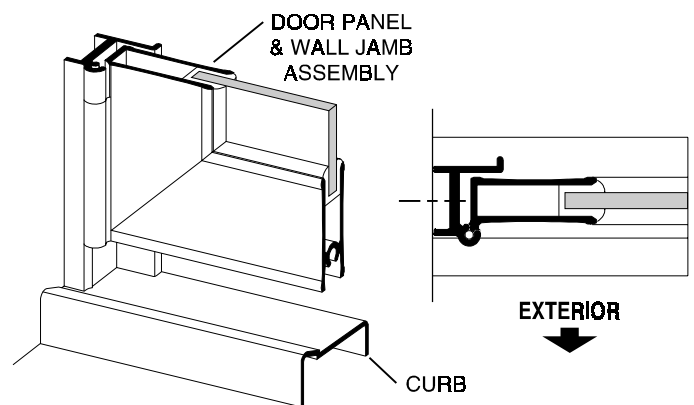
Remove the curb from the sill and run two beads of caulk inside the penciled marks on the shower sill. Place the curb in the exact position marked and seat it firmly in the caulking.

Masking tape can be used to hold the curb in place temporarily.



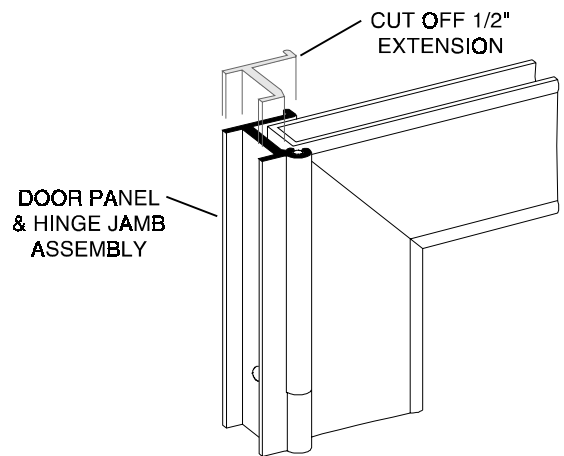
3 Place the door panel/hinge jamb assembly [B] in place on the curb [A] with the hinge jamb lined up with the raised edge of the curb. Use a level to plumb the jamb, then mark the mounting hole locations. Remove the door assembly and drill the mounting holes.

For tile or marble walls, drill three 3/16" diameter holes and insert the plastic wall anchors [C]. Attachments to fiberglass or acrylic units can be made in two ways. If a reinforcement is built into the wall of the unit, drill three 1/8" diameter holes to install mounting screws directly into the reinforcement. If walls are not reinforced, drill three 3/16" holes and install plastic wall anchors or Molly bolts (Molly bolts not supplied by Basco).



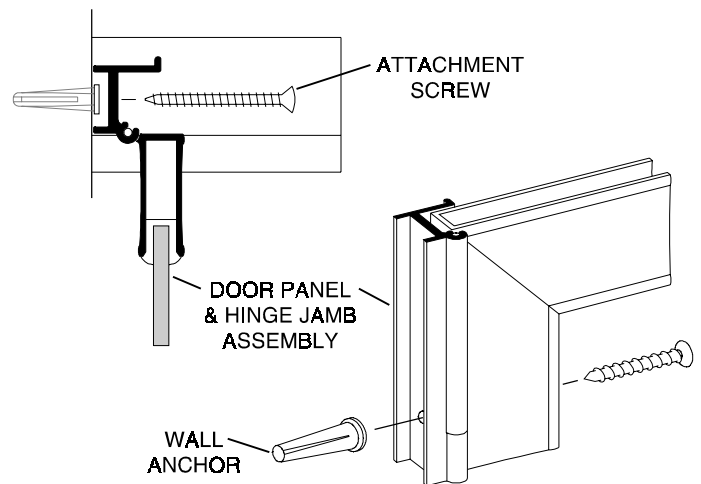
4

To allow this unit to be reversible, the hinge jamb extends 1/2" beyond both ends of the door panel. Once the proper door orientation has been determined (see Step #1), the 1/2" extension at the top of the door can be cut off for better appearance.



5

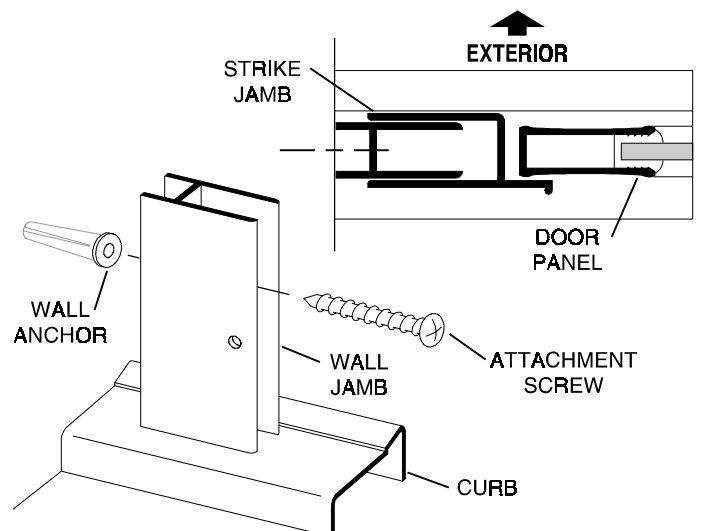
Set the door panel/hinge jamb assembly [B] back onto the curb [A] and attach it securely with three #8 x 1 1/2" flat head screws [D] through the hinge jamb.



6

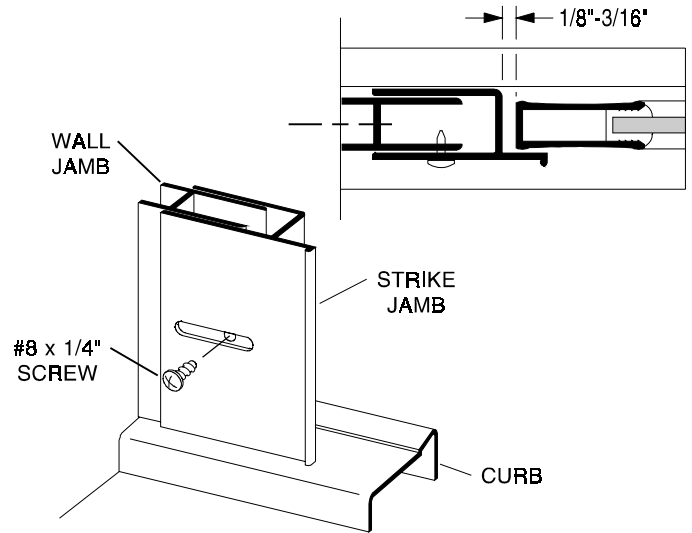
Press the adjustable strike jamb outer portion [E] over the inner wall jamb portion [F] and place them against the wall with the bottom end against the raised side of the curb [A]. Swing the door [B] to a closed position (parallel to the curb) and position the adjustable strike jamb to contact the door evenly. Mark the edge of the inner jamb portion. Disassemble the adjustable jamb, hold the inner jamb in the position marked and mark the hole locations.

Remove the jamb and drill the mounting holes as described in Step #3. Replace the inner jamb and attach to the wall with three #8 x 1 1/2" truss head screws [G].



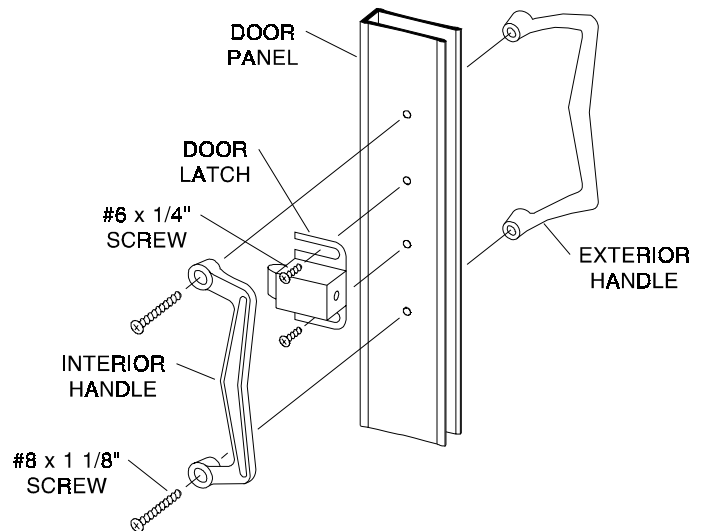
7 Slide the adjustable strike jamb outer portion [E] over the inner wall jamb portion [F]. Adjust the outer jamb laterally to provide 1/8" to 3/16" clearance between the door panel and the strike jamb.

Attach the outer strike jamb permanently with four #8 x 1/4" truss head screws [H].



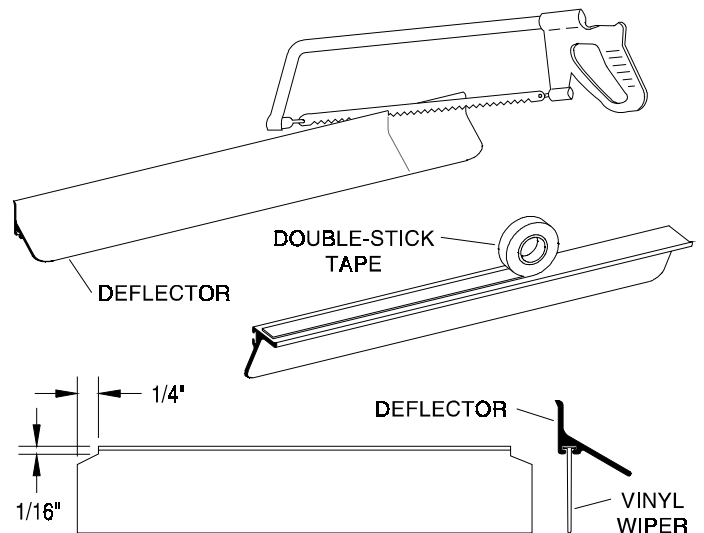
8 Attach the interior door handle [J] and exterior door handle [K] to the door panel with two #8 x 1 1/8" oval head screws [L].

Attach the latch [M] loosely with two #6 x 1/4" truss head screws [N]. Close the door and adjust the latch for proper operation. Tighten the latch screws securely.



9 Cut the splash deflector [P] to the length of the bottom door rail minus 3/16". Check the fit of the deflector with the door closed and shorten if necessary. Round the cut edge of the deflector with a file. Cut the clear vinyl wiper [R] 1/2" longer than the deflector and notch it on each end as shown. Slide the wiper into the deflector and glue or crimp the ends of the wiper slot.

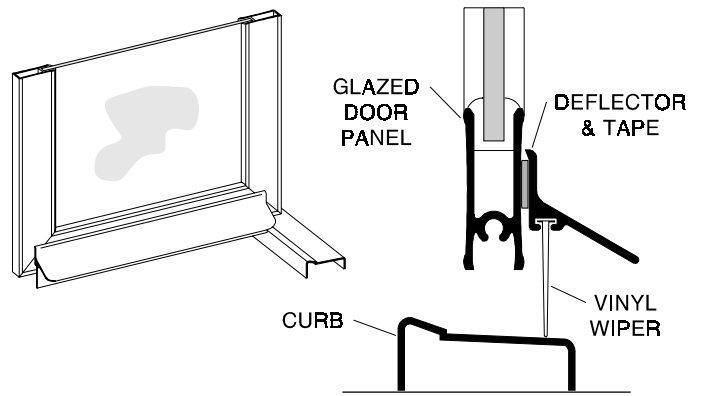
Clean the inside edge of the bottom door rail and the flat side of the deflector thoroughly to ensure proper adhesion of the double-stick tape [S]. Unroll the tape and carefully attach it to the back of the deflector (do not peel the tape backing yet).



10

Hold the splash deflector [P] against the inside of the door bottom rail 1/16" from the hinge jamb and with the vinyl wiper [R] just touching the curb. Mark the location of each end of the deflector with a pencil. Peel the backing off of the double-stick tape [S] and carefully (you only get one try) stick the splash deflector to the door using the marks for alignment.

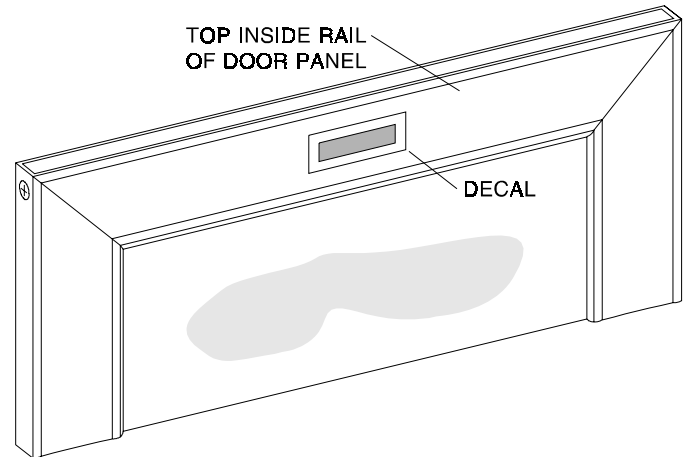
NOTE: Cleaners with alcohol content can dissolve the adhesive that attaches the drip rail. To prevent this possibility, place a small bead of clear sealant at the top of the drip rail where it is attached to the bottom rail.



11

Peel the backing from the Basco label [T] and apply it to the top inside door rail as shown in the illustration.

You may also remove any masking tape from the curb at this time.



12

Neatly caulk the inside perimeter of the shower curb and the hinge and strike jambs.

NOTE: Improper caulking will result in leaks.

NOTE: The caulking should be allowed to cure for twenty-four hours before using your new shower enclosure.

