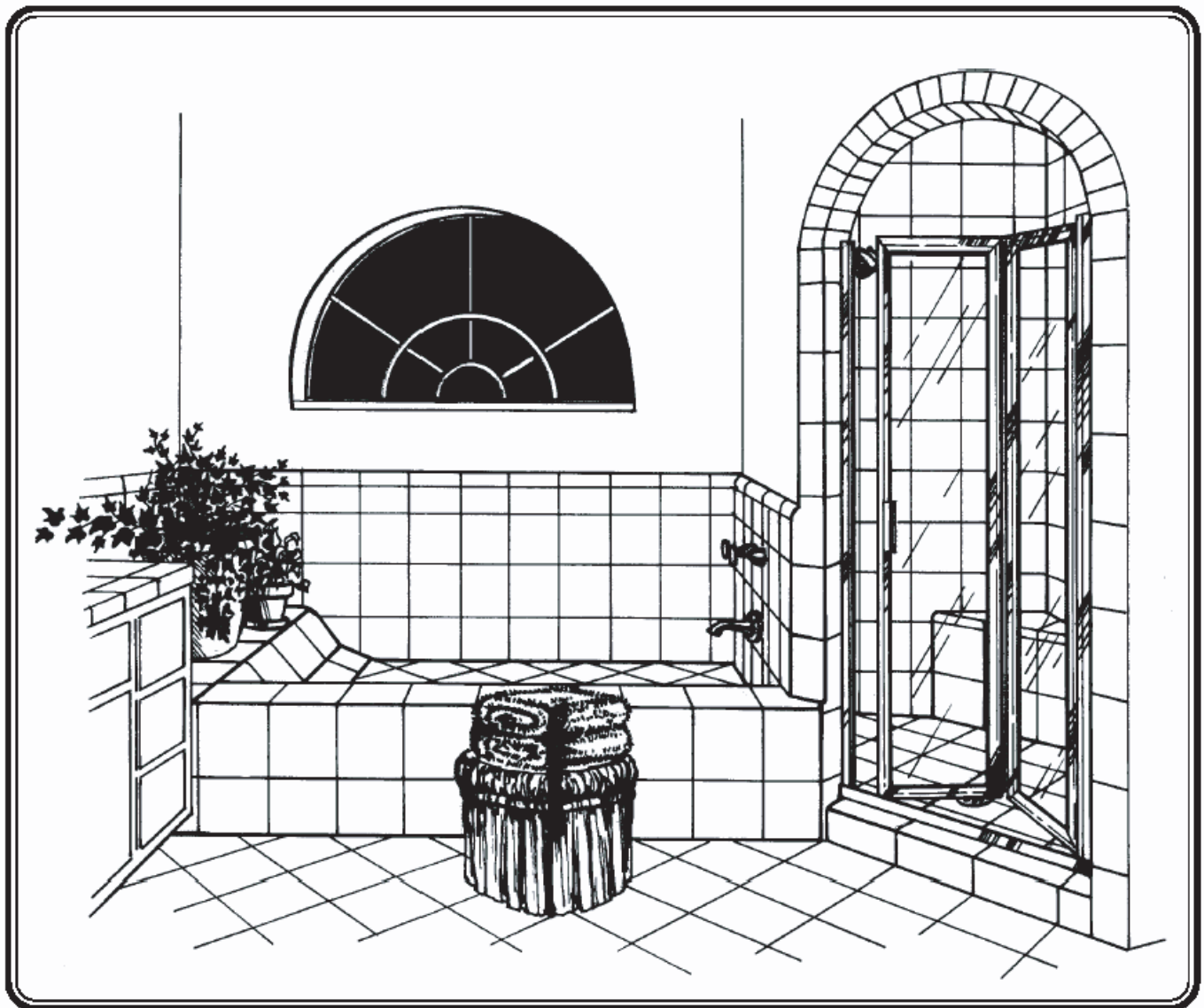


UNIT No. 1100 SHOWER DOOR



MAINTENANCE: Two primary materials are used to manufacture your new Basco enclosure: tempered glass and anodized aluminum. To assure a long lasting finish on the enclosure, wipe it down with a towel after each use. Never use a scouring agent to clean the aluminum.

For occasional, more concentrated cleaning efforts, we find that Lysol Bathroom Cleaner works extremely well. Be sure that any over spray falling on the aluminum frame is rinsed thoroughly and dried. Many over-the-counter cleaners, if applied to the aluminum and left on, will harm the metal finish and cause permanent damage, even though their directions indicate safe use on shower doors.

INSTALLATION NOTES: Unpack your unit carefully and inspect for freight damage. Layout and identify all parts using the instruction sheets as a reference. Before discarding the carton, check to see that no small hardware parts have fallen to the bottom of the box. If any parts are damaged or missing, refer to the descriptions noted in the instructions when contacting your dealer for replacements.

Handle the glass panels carefully and protect the edges.

Please wear safety glasses whenever drilling or cutting. When drilling holes in the ceramic tile or marble, use a center punch and hammer to carefully break the surface glaze so the drill can start without skidding.

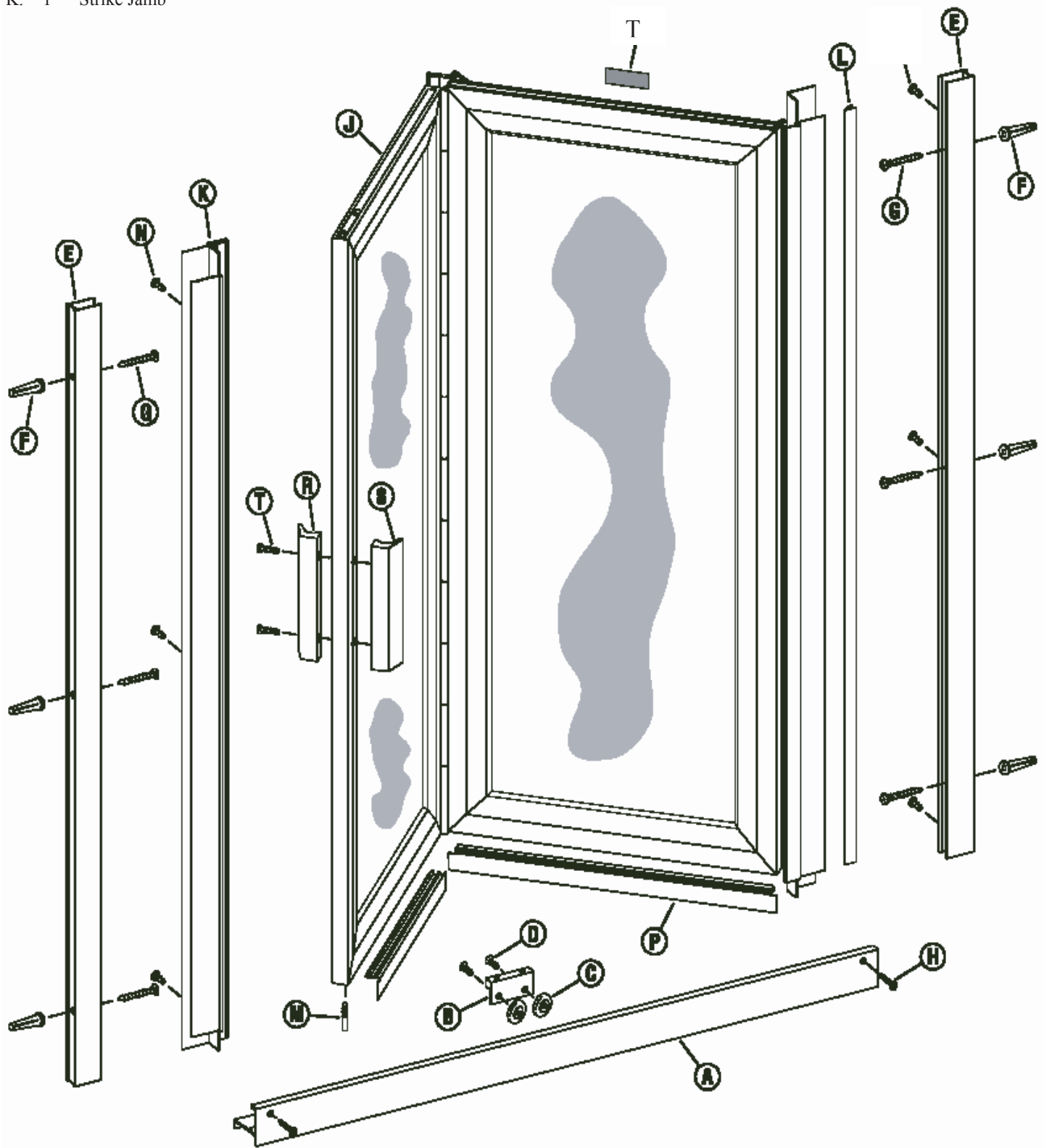
To install your BASCO Bath Enclosure you will need the following: tape measure, level, hacksaw, drill, 1/8", 7/64" and 3/16" drill bits, #2 Phillips screwdriver, sharp knife or razor, and caulking (clear silicone recommended). Optional tools include a center punch, files, a miter box for cutting parts to length and masking tape for holding parts in place temporarily.

NOTE: Tempered glass cannot be cut.

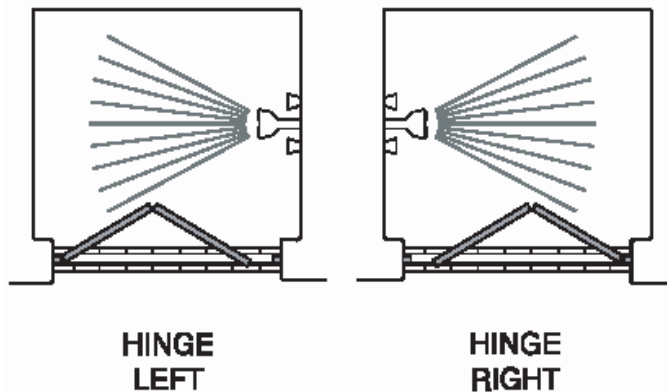
Although safety tempered glass is very resistant to breakage, the glass can still break if unequal pressure is placed on it during installation. Use caution. In addition, the sharp corners of the panels can damage tile and floor surfaces, so it is best to handle the glass panels carefully and protect the edges.

1100 BI-FOLD PARTS LIST

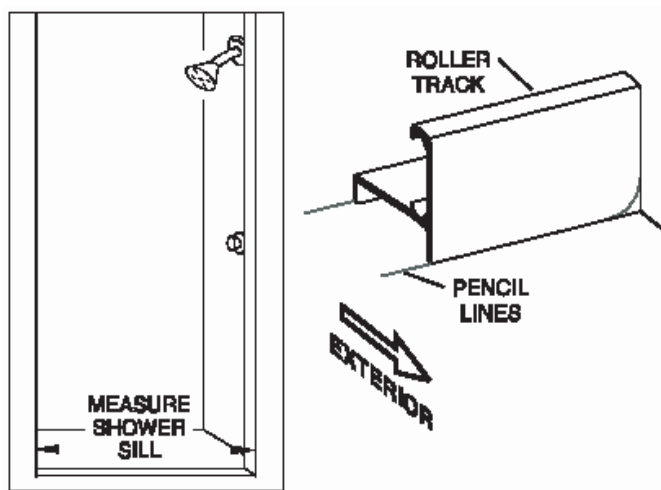
- | | | | |
|------|-------------------------------|------|----------------------------------|
| A. 1 | Roller Track | L. 1 | Headless Pivot Pin |
| B. 1 | Roller Bracket | M. 6 | #8 x 3/8" Truss Head Screws |
| C. 2 | Nylon Roller Bearings | N. 1 | Clear Vinyl Deflector (36") |
| D. 2 | #8 x 3/8" Hex Head Screws | P. 1 | Interior Handle |
| E. 2 | Wall Jamb | R. 1 | Exterior Handle |
| F. 6 | Plastic Wall Anchors | S. 2 | #6-32 x 1 1/4" Round Head Screws |
| G. 6 | #8 x 1 1/2" Truss Head Screws | T. 1 | BASCO Decal |
| H. 2 | #5 x 1/2" Truss Head Screws | | |
| J. 1 | Glazed Bi-Fold Panel Assembly | | |
| K. 1 | Strike Jamb | | |



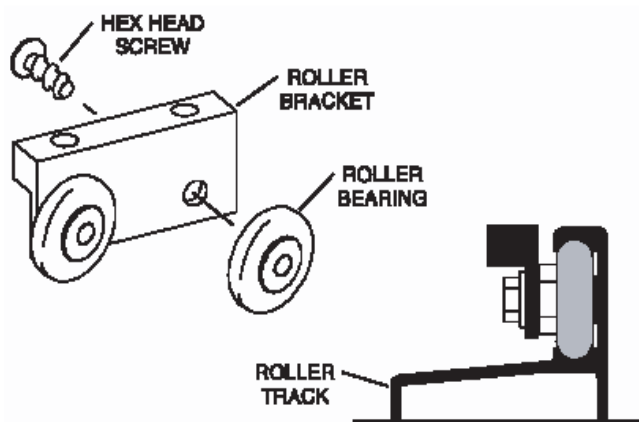
The Basco 1100 Bi-fold Shower Door is completely reversible and may be installed hinge-right or hinge-left. Using the diagram, determine the correct position for your installation. For maximum waterproofing, the pivot jamb should always be opposite the showerhead. These instructions depict a hinge-right installation.



2 Measure the wall-to-wall opening at the shower sill and cut the roller track [A] to the exact length. File the ends of curb as necessary to fit the corner contours of the enclosure. Place the track on the shower sill with the raised portion to the exterior of the enclosure. Make sure the track is centered on the sill and lightly mark its position on the sill with a pencil. Remove the track from the sill.



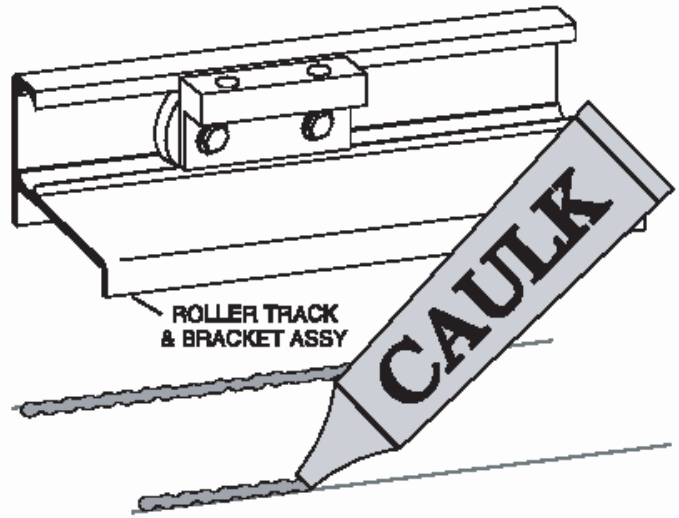
3 Assemble the roller bracket [B], two nylon roller bearings [C] and two #8 x 3/8" hex head screws [D] as shown. Do not over tighten the screws. Insert the assembled roller bracket into the roller track [A]. Place the roller track onto the sill. Use masking tape to temporarily hold the roller track in place.



4

Place one of the wall jambs [E] against the wall with the bottom end flush against the roller track [A]. Plumb the jamb and mark the hole locations on the wall. Repeat for the other wall jamb. Remove all parts and drill the walls for mounting hardware. Clean off the sill.

NOTE: For tile or marble walls, drill six 3/16" diameter holes and insert the plastic wall anchors [F]. Attachments to fiberglass or acrylic units can be made in two ways. If any reinforcement is built into the wall of unit, drill six 1/8" holes to install mounting screws directly into the reinforcement. If walls are not reinforced, drill 3/16" holes and install plastic wall anchors or toggle bolts (toggle bolts not supplied by BASCO).

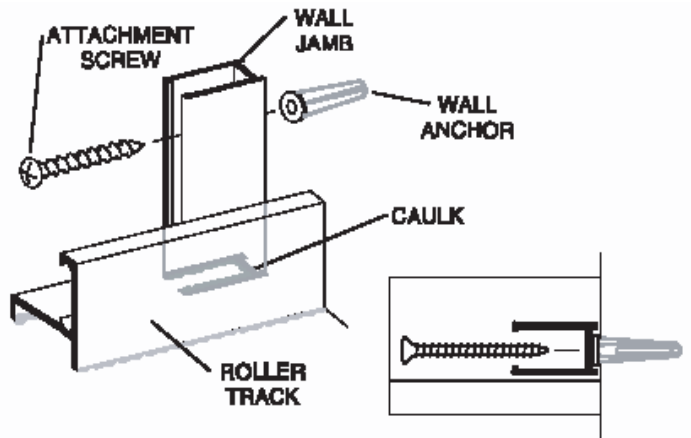


5

Run two beads of caulk inside the penciled marks on the shower sill. Place the roller track [A] (with roller bracket) in the exact position marked in Step #2 and seat it firmly in the caulking. Use masking tape to temporarily secure roller track.

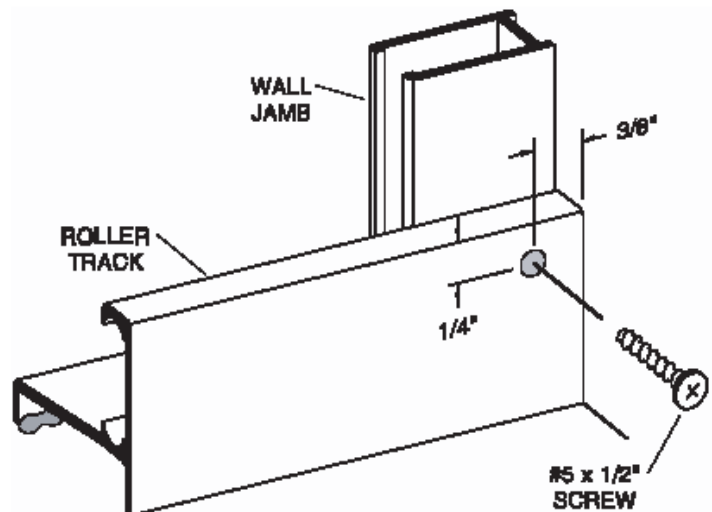
NOTE: Improper caulking will result in leaks.

Replace both wall jambs and secure them with six #8 x 1 1/2" truss head screws [G]. Caulk around the bottom of both iambs.



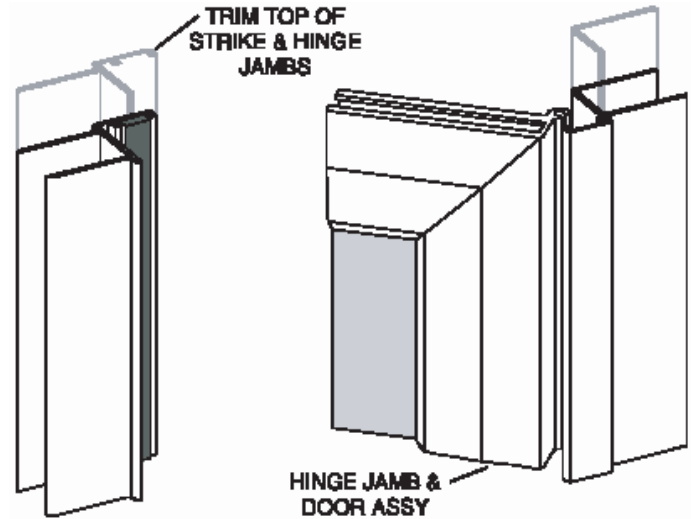
6

Drill two 7/64" diameter holes through the roller track [A] and into the wall jambs 1/4" from the top of the curb and 3/8" from the wall. Secure the roller track to the wall jambs with two #5 x 1/2" screws [H].



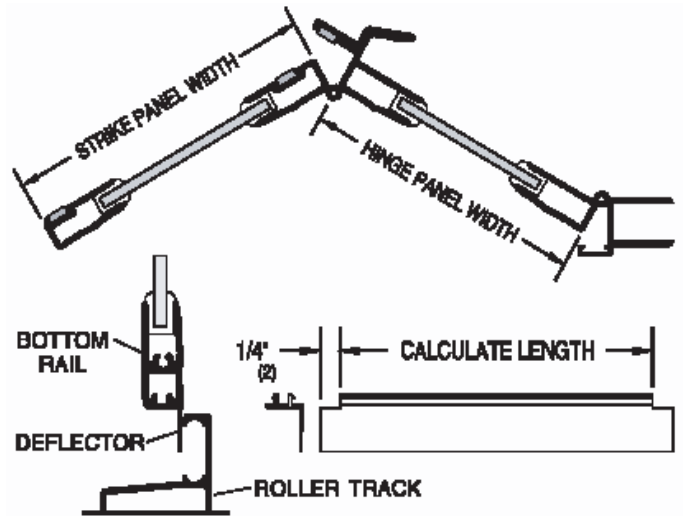
7

Trim the top of the hinge jamb (with the door panel assembly [J]) even with the machined notch. Repeat for the strike jamb [K] (with magnetic vinyl).



8

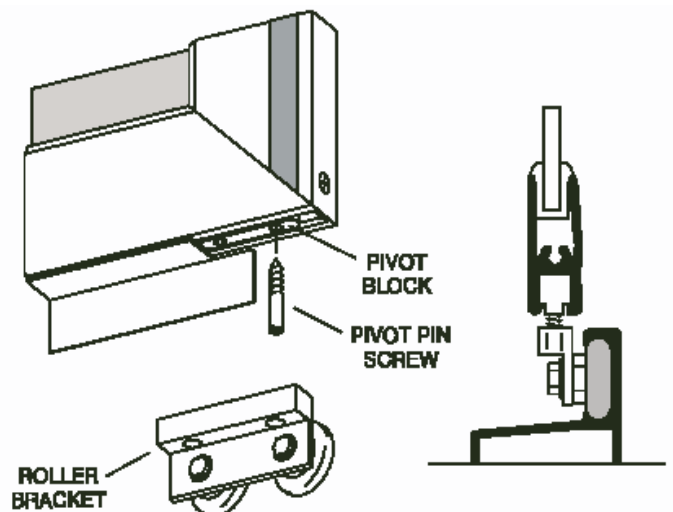
Measure the bottom rails of the strike and hinge door panels to determine the panel widths. Cut one section of the clear vinyl splash deflector [N] 2" shorter than the width of the strike panel. Trim the second section 3/8" longer than the hinge panel. Notch ends of both deflectors as shown, leaving only the thin vertical portion extending. Snap the deflectors into the bottom rail of their respective door panels.



9

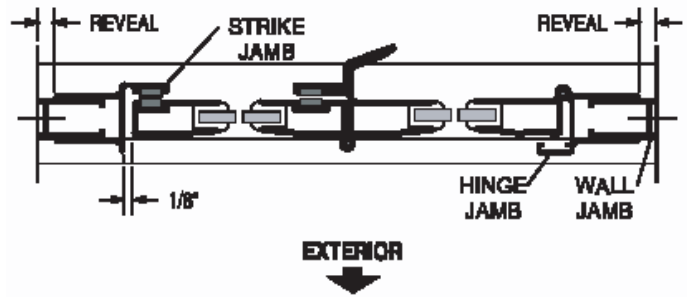
Slide the pivot block located in the bottom rail of the strike door panel as close to the leading edge of the panel as it can go. Install the headless pivot pin screw [L] into the pivot block and tighten securely. Do not over-tighten or deform the head of the pivot pin screw.

Set the door panel assembly into place with the hinge jamb overlapping the wall jamb [E] and the pivot screw engaging the roller bracket [B].



10

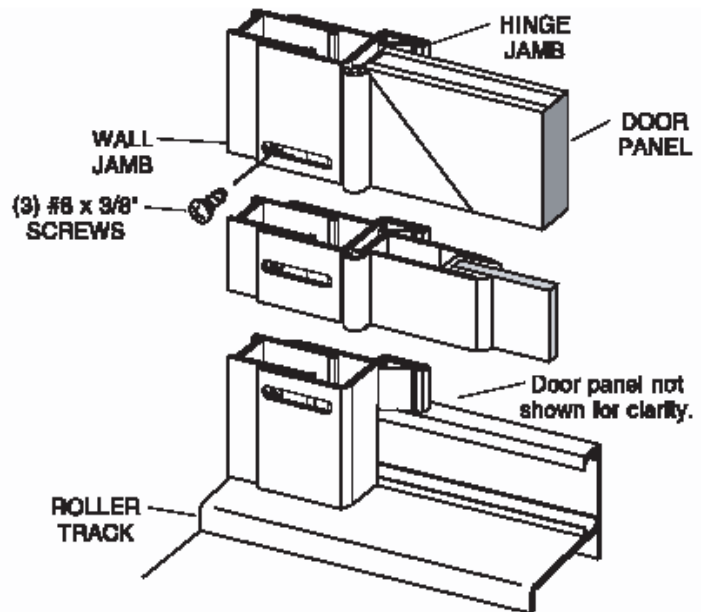
Install the strike jamb [K] onto the other wall jamb [E] with the magnet facing outward. With the door closed and the latch magnets engaged, the proper door panel to strike jamb clearance is 1/8" (see illustration). Slide the strike jamb and door panel assembly laterally until there is equal engagement of the wall jamps.



11

Inside the shower enclosure, align the slots on the hinge jamb with the holes in the wall jamb [E]. Start a #8 x 3/8" truss head screw [M] in the bottom slot and hole but do not tighten it completely. Pull the top of the hinge jamb outward until there is 1/8" clearance between the roller track and the bottom of the strike door panel. Hold the hinge jamb in this position while installing a second #8 x 3/8" screw in the top slot and hole. Install a third screw in the center slot and hole.

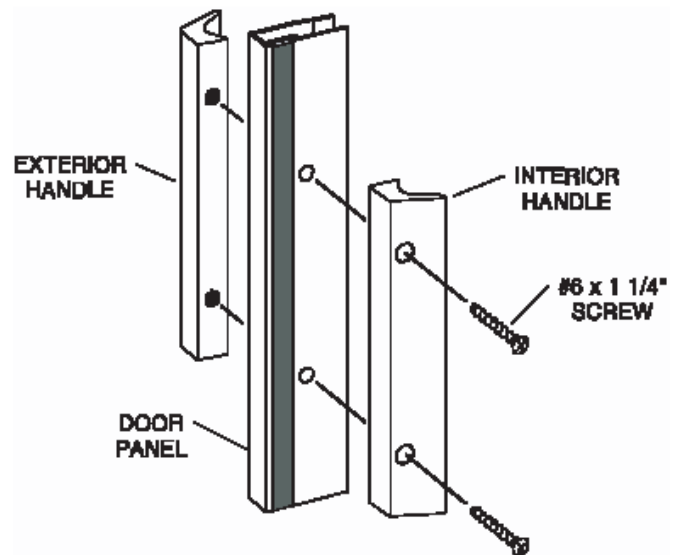
Check the strike jamb [K] to door panel alignment (see Step #9). Attach the strike jamb permanently to the wall jamb with three #8 x 3/8" truss head screws [M].



12

Attach the interior door handle [P] and the exterior door handle [P] to the strike door panel with two #6-32 x 1 1/4" round head screws [S].

Peel the backing from the BASCO decal [T] and apply it to the top inside door rail.



13

Neatly caulk the inside perimeter of the roller track and wall jambs.

NOTE: Improper caulking will result in leaks.

NOTE: The caulking should be allowed to cure for twenty-four hours before using your new shower enclosure.

